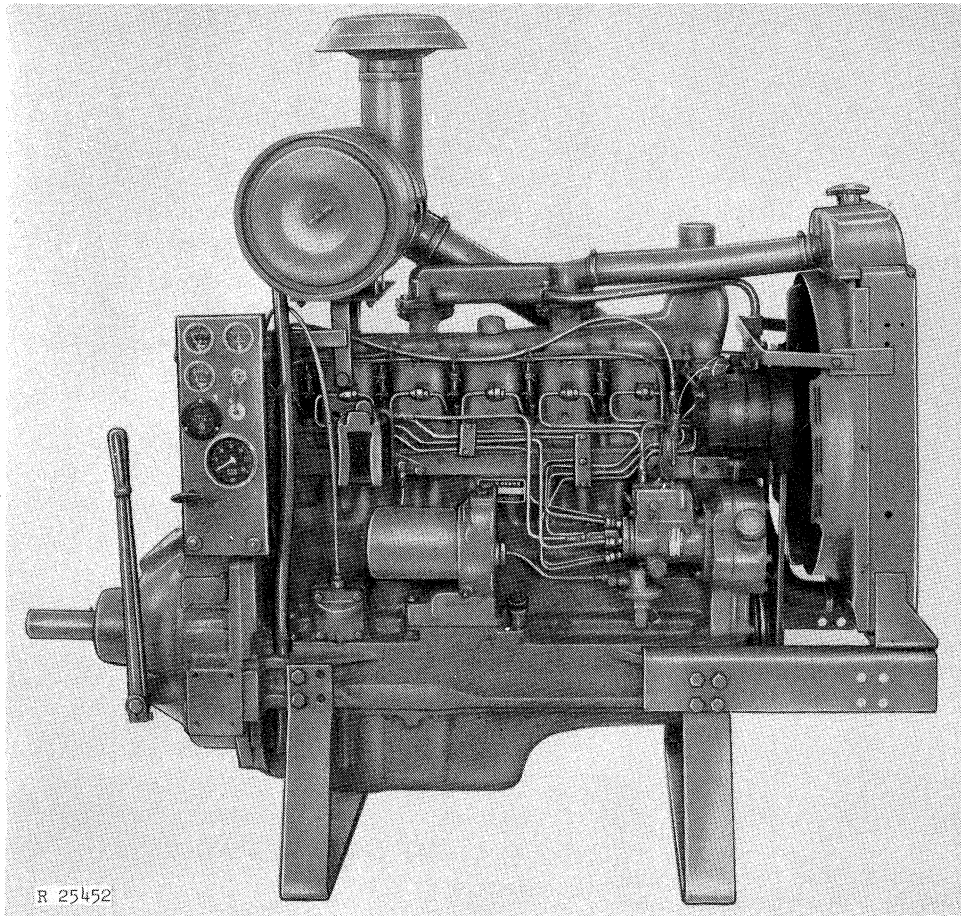




JOHN DEERE
Parts Catalog

**640A, 640D AND 640T OEM ENGINES
AND ACCESSORIES**

PC1554



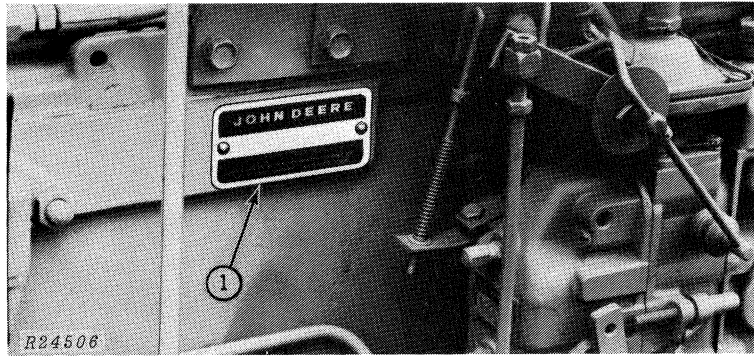
R 25452

John Deere 6404D OEM Engine

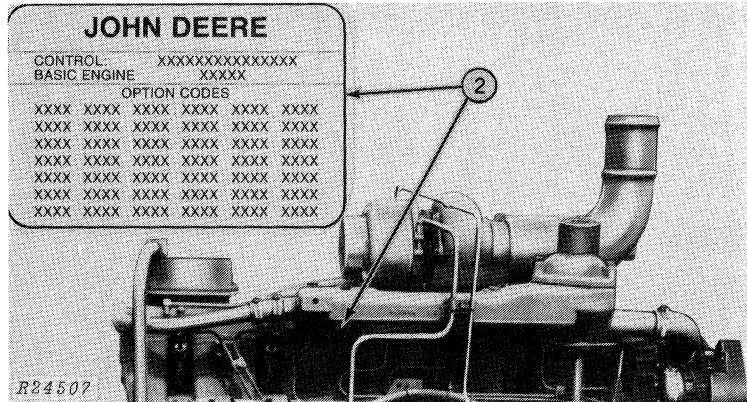
Specifications and design subject to change without notice.

HOW TO IDENTIFY PARTS FOR OEM ENGINES

1. Determine the engine model number from the serial number plate located on the side of the engine. (See page 5-6 for engine serial number information.)



2. Determine the code number of the desired engine component from the code label located on the upper surface of the rocker arm cover. (See page 5-4 or 5-5 for code label information.)



3. Determine the page location of the desired engine component by part name in the catalog Alphabetical Index.

ALPHABETICAL INDEX	
EXTENSION, MUFFLER.....	15-5
FAN.....	20-6
FAN.....	20-7
FAN BELT.....	20-7
FAN SHROUD.....	20-2
FAN SHROUD.....	20-4
FAN AND WATER PUMP.....	20-6
FIELD COIL.....	85-9
FIELD COIL.....	85-11
FILTER, ENGINE OIL.....	10-26

4. If the part number desired is known, the page location can be found by referring to the Numerical Index.

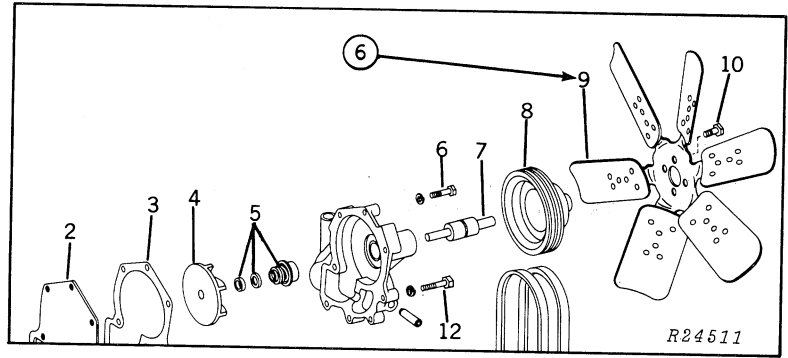
NUMERICAL INDEX			
AR	44840	20-8	9
AR	45530	10-20	3
AR	45530	10-21	9
AR	45953	10-30	18
AR	46386	25-4	26
AR	46805	20-6	9
AR	46820	85-10	.
AR	47249	10-6	1
AR	47303	15-4	5
AR	48219	25-8	19

5. Determine the correct identification of the specific component (by engine number, engine serial number and code number) in the title and sub-titles on the parts listing page.

OEM ENGINES AND ACCESSORIES - 6404D, 6404T, AND 6404A

FAN AND WATER PUMP (6404D)

6. Determine the exact part desired by locating it in the exploded view. Note the key number assigned to the part.



7. Determine the exact part number required by referring from the key number in the exploded view to the keyed listing below the exploded view.

KEY	PART NUMBER	ENGINE SERIAL NO.	CODE	DESCRIPTION
1	R 35263 *	(-)		GASKET
2	R 35261	(-)		COVER
3	R 35262 *	(-)		GASKET
4	R 40242 *	(-)		IMPELLER
5	AR 62934 *	(-)		SEAL, INSERTS AND CUP
6	19H 1906	(-)		INSERT, IMPELLER, WITH CUP
	12H 303	(-)		SCREW, CAP, 5/16" X 1-1/2" (3 USED)
7	JD 9257 *	(-)		WASHER, LOCK, 5/16" (3 USED)
8	R 40244	(-)		BEARING, BALL
9	AR 46805	(-)	2503	PULLEY, FAN FAN (6 BLADED)

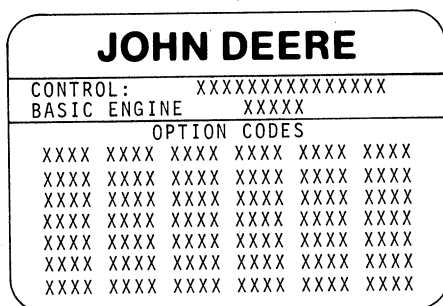
EXPLANATION OF OPTION CODES

Your engine is equipped with optional equipment. Each option is cataloged under a code number which is listed at the top of the page between the page heading and the exploded view. Parts used with all codes have no identifying codes preceding the description. Parts that are used with a specific option code are noted by the code preceding the description of the part.

OPTION GROUP PAGE REFERENCE

Code Group No.	Description	Page No.
11	Rocker Arm Cover	10-17
14	Flywheel Housing	15-14
15	Engine Flywheel	10-12
16	Fuel Injection System	25-6 - 25-53
18	Cleaner	15-10 - 15-12
24	Fan Belt	20-4, 20-5
25	Fan Blade Assembly	20-4, 20-5
27	Radiator	20-2, 20-3
30	Starting Motor	80-9 - 80-11
31	Alternator	85-4 - 85-8
32	Instrument Panel	76-6 - 85-2
33	Tachometer	75-6, 75-8
34	Hour Meter	75-6, 75-8
55	Engine Stand	15-15
58	PTO and Clutch	30-2

**ACCESSORY CODE LABEL
(Without Turbocharger)
(6404D)**



T35527

To assist your John Deere dealer in giving you prompt and efficient service, a code label is attached to the rocker arm cover of your John Deere engine. This code label will identify parts that are unique to the original equipment manufacturer's application by option code. The basic engine code identifies the engine model.

Basic Engine Code: 1121F

Option Codes	Description	Option Codes	Description
1101	Rocker Arm Cover, Center Filler	2803	Exhaust Manifold, Front Vertical
1102	Rocker Arm Cover, No Filler	2806	Exhaust Manifold, Front with Side Outlet
*1400	No Flywheel Housing	*3000	No Starting Motor
1403	Flywheel Housing, SAE No. 3	3004	Starting Motor
1405	Flywheel Housing, SAE No. 2	*3100	No Alternator
*1500	No Flywheel	3101	Electrical System, 37 Ampere (37A)
1501	Flywheel, Overcenter Clutch, For 10-Inch (25.4 cm)	3102	Electrical System, 55 Ampere (55A)
1505	Flywheel, Overcenter Clutch, For 11.5-Inch (29.21 cm)	3103	Electrical System, 72 Ampere (72A)
1507	Flywheel, Single Plate, for 14-Inch (35.56 cm)	*3200	No Instrument Panel
1602	Injection System, Regular Governor	3203	Instrument Panel
1603	Injection System, 3% - 5% Governor	*3300	No Tachometer
*1800	No Air Cleaner	3303	Tachometer
1801	Air Cleaner	*3400	No Hour Meter
*2400	No Fan Belts	3401	Electric Hour Meter
2401	Fan Belt	5505	Engine Stand
*2500	No Fan	5506	Engine Stand
2501	Fan, 5 Blade	5508	Engine Stand
2502	Fan, 6 Blade	*5800	No PTO
*2700	No Radiator	5801	PTO and Clutch for In-Line Loading
2701	Radiator and Fan Shroud	5802	PTO and Clutch for Side Loading

**NOTE: Accessories not sold by John Deere will be indicated on the code label with the designation "00" as the last two digits of the option code. The original equipment manufacturer will be responsible for warranty service on this category of accessory.*

**ACCESSORY CODE LABEL
(With Turbocharger)
(6404T)**

JOHN DEERE	
CONTROL:	XXXXXXXXXXXXXXXXXX
BASIC ENGINE	XXXXX
OPTION CODES	
XXXX	XXXX XXXX XXXX XXXX
XXXX	XXXX XXXX XXXX XXXX
XXXX	XXXX XXXX XXXX XXXX
XXXX	XXXX XXXX XXXX XXXX
XXXX	XXXX XXXX XXXX XXXX
XXXX	XXXX XXXX XXXX XXXX

T35527

To assist your John Deere dealer in giving you prompt and efficient service, a code label is attached to your John Deere engine. This code label will identify parts that are unique to the original equipment manufacturer's application by option code. The basic engine code identifies the engine model.

Basic Engine Code: 1131F

Option Codes	Description	Option Codes	Description
1101	Rocker Arm Cover, Center Filler	*3100	No Alternator
1102	Rocker Arm Cover, No Filler	3101	Electrical System, 37 Ampere (37A)
*1400	No Flywheel Housing	3102	Electrical System, 55 Ampere (55A)
1403	Flywheel Housing, SAE No. 3	3103	Electrical System, 72 Ampere (72A)
1405	Flywheel Housing, SAE No. 2	3104	Electrical System, 30 Ampere (30A)
*1500	No Flywheel	*3200	No Instrument Panel
1501	Flywheel, Overcenter Clutch, For 10-Inch (25.4 cm)	3203	Instrument Panel with Speed Controls
1505	Flywheel, Overcenter Clutch, for 11.5-Inch (29.21 cm)	3205	Instrument Panel without Speed Controls
1507	Flywheel, Single Plate, for 14-Inch (35.56 cm)	*3300	No Tachometer
1601	Injection System, Regular Governor	3303	Tachometer
1604	Injection System, 3% - 5% Governor	*3400	No Hour Meter
*1800	No Air Cleaner	3401	Electric Hour Meter
1801	Air Cleaner	5505	Engine Stand
*2400	No Fan Belts	5506	Engine Stand
2401	Fan Belts	5508	Engine Stand
*2500	No Fan	*5800	No PTO
2503	Fan	5801	PTO and Clutch for In-Line Loading
*2700	No Radiator	5802	PTO and Clutch for Side Loading
2701	Radiator and Fan Shroud		
*3000	No Starting Motor		
3004	Starting Motor		

**NOTE: Accessories not sold by John Deere will be indicated on the code plate with the description "00" as the last two digits of the option code. The original equipment manufacturer will be responsible for warranty service on this category of accessory.*

**ACCESSORY CODE LABEL
(With Turbocharger)
(6404A)**

JOHN DEERE	
CONTROL:	XXXXXXXXXXXXXXXXXX
BASIC ENGINE	XXXXX
OPTION CODES	
XXXX	XXXX XXXX XXXX XXXX XXXX
XXXX	XXXX XXXX XXXX XXXX XXXX
XXXX	XXXX XXXX XXXX XXXX XXXX
XXXX	XXXX XXXX XXXX XXXX XXXX
XXXX	XXXX XXXX XXXX XXXX XXXX
XXXX	XXXX XXXX XXXX XXXX XXXX
XXXX	XXXX XXXX XXXX XXXX XXXX

T35527

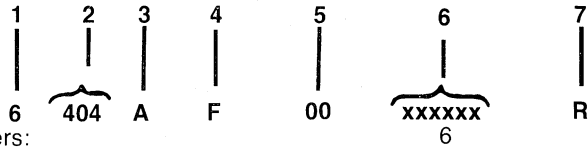
To assist your John Deere dealer in giving you prompt and efficient service, a code label is attached to your John Deere engine. This code label will identify parts that are unique to the original equipment manufacturer's application by option code. The basic engine code identifies the engine model.

Basic Engine Code: 1141F

Option Codes	Description	Option Codes	Description
1101	Rocker Arm Cover, Center Filler	*3100	No Alternator
1102	Rocker Arm Cover, No Filler	3101	Electrical System, 37 Ampere (37A)
*1400	No Flywheel Housing	3102	Electrical System, 55 Ampere (55A)
1403	Flywheel Housing, SAE No. 3	3103	Electrical System, 72 Ampere (72A)
1405	Flywheel Housing, SAE No. 2	3104	Electrical System, 30 Ampere (30A)
*1500	No Flywheel	*3200	No Instrument Panel
1501	Flywheel, Overcenter Clutch, For 10-Inch (25.4 cm)	3203	Instrument Panel with Speed Controls
1505	Flywheel, Overcenter Clutch, for 11.5-Inch (29.21 cm)	3205	Instrument Panel without Speed Controls
1507	Flywheel, Single Plate, for 14-Inch (35.56 cm)	*3300	No Tachometer
1601	Injection System, Regular Governor	3303	Tachometer
1604	Injection System, 3% - 5% Governor	*3400	No Hour Meter
*1800	No Air Cleaner	3401	Electric Hour Meter
1801	Air Cleaner	5505	Engine Stand
*2400	No Fan Belts	5506	Engine Stand
2401	Fan Belts	5508	Engine Stand
*2500	No Fan	*5800	No PTO
2503	Fan	5801	PTO and Clutch for In-Line Loading
*2700	No Radiator	5802	PTO and Clutch for Side Loading
2701	Radiator and Fan Shroud		
*3000	No Starting Motor		
3004	Starting Motor		

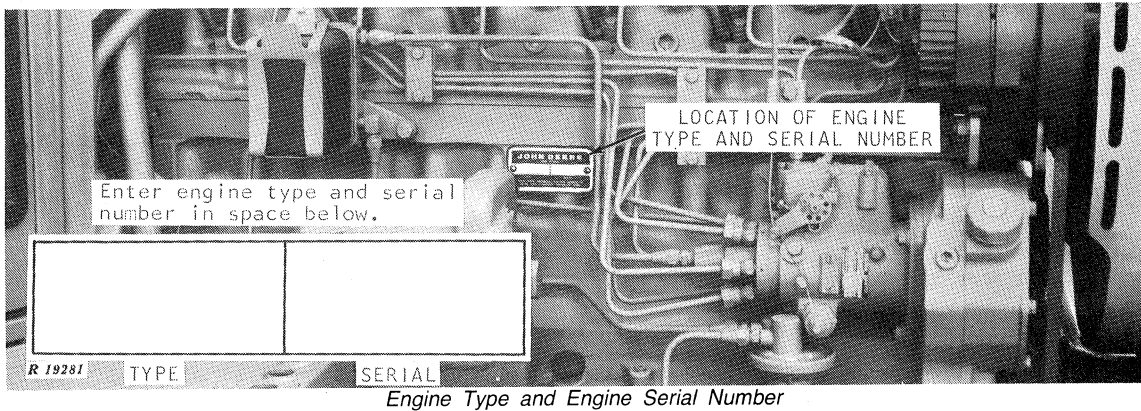
**NOTE: Accessories not sold by John Deere will be indicated on the code plate with the description "00" as the last two digits of the option code. The original equipment manufacturer will be responsible for warranty service on this category of accessory.*

AN EXPLANATION OF ENGINE SERIAL NUMBER

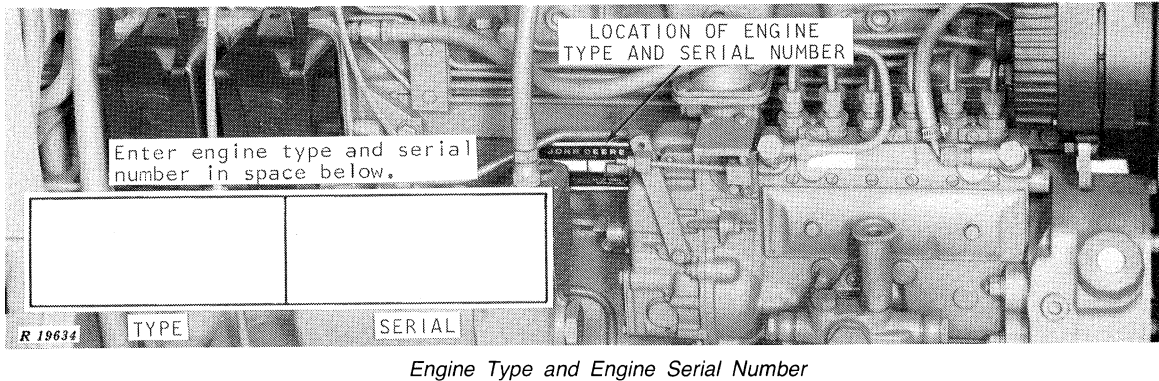


1. Designates number of cylinders: 6
2. Designates the cubic inch displacement: 404
3. Designates the fuel:
 - D - Diesel
 - T - Turbocharged
 - A - Turbocharged and intercooled
 - F - John Deere OEM
4. Designates the factory user: R
5. Designates the variation: 00 -None
6. Designates the consecutive serial number of the engine: xxxxxx
7. Manufacturer: R - John Deere Waterloo Tractor Works

6404D



6404A and T



The engine serial number is stamped on a plate located on the right side of the engine.

SERIAL NUMBER COLUMN

Serial number information given on any page is applicable only to parts listed and illustrated on that page.

When the parentheses include only the dash (-)
the part is used on all engines.

When a serial number appears before the dash (000000-)
the part was introduced beginning with that serial number
and is still being used.

When a serial number appears after the dash (-000000)
the part was used up to and including that serial number but
was not used after that serial number.

When serial numbers appear both before and after the dash (000000-000000)
the part was used beginning with the first serial number but
was not used after the second serial number.

When a serial number contains XXXXXX before the dash (XXXXXX-)
the part is approved for production but the beginning serial
number was not established when this catalog went to press.

When a serial number contains XXXXXX after the dash (-XXXXXX)
the part is discontinued but the last serial number was not
established when this catalog went to press.

BOLT AND CAP SCREW STRENGTH IDENTIFICATION

Bolts and cap screws required to have high-strength qualities equivalent to SAE Grade 8 are identified throughout this catalog by the description HS SAE 8. Unless identified by this description all standard bolts and cap screws are SAE Grade 5.

SI (International System) UNITS OF MEASURE

Metric equivalents have been included, where applicable, throughout this parts catalog.

AN EXPLANATION OF CHANGE INDICATOR LINE

New and revised information is identified by vertical lines marked in the left-hand margin of revised pages. These lines indicate changes affecting the ordering of parts.

SECTIONAL INDEX

GENERAL INFORMATION	5
ENGINE	10
ENGINE ACCESSORIES	15
COOLING SYSTEM	20
FUEL SYSTEM	25
PTO AND CLUTCH	30
INSTRUMENTS	75
ELECTRICAL SYSTEM	85
NUMERICAL INDEX	95

ALPHABETICAL INDEX

GRID		PAGE	GRID		PAGE
	A				
C6	AIR CLEANER	15-13	B13	ENGINE OIL FILTER	10-22
C5	AIR CLEANER SUPPORTS	15-12	B12	ENGINE OIL PUMP	10-21
C7	AIR INTAKE PIPES	15-14	B22	EXHAUST MANIFOLD (6404A, T)	15-6
G15	ALTERNATOR (DELCO-REMY)	85-6	B21	EXHAUST MANIFOLD (6404D)	15-5
G17	ALTERNATOR (MOTOROLA)	85-8		F	
G14	ALTERNATOR (6404A, T)	85-5	C15	FAN (6404A, T)	20-5
G16	ALTERNATOR (6404A, T)	85-7	C14	FAN (6404D)	20-4
G13	ALTERNATOR (6404D)	85-4	C13	FAN SHROUD (6404A, T)	20-3
G14	ALTERNATOR MOUNTING BRACKET (6404A, T)	85-5	C12	FAN SHROUD (6404D)	20-2
G16	ALTERNATOR MOUNTING BRACKET (6404A, T)	85-7	B13	FILTER, ENGINE OIL	10-22
G13	ALTERNATOR MOUNTING BRACKET (6404D)	85-4	D1	FILTER, FUEL (6404A, T)	25-3
F11	ANEROID, INJECTION PUMP (6404A)	25-58	D2	FILTER, FUEL (6404A, T)	25-4
E21	ANEROID, INJECTION PUMP (6404T)	25-46	C22	FILTER, FUEL (6404D)	25-2
G18	ARMATURE, STARTER	85-9	A22	FLYWHEEL	10-9
G21	ARMATURE, STARTER	85-12	C9	FLYWHEEL HOUSING	15-16
D20	AUTO. ADVANCE, INJECTION PUMP (6404D)	25-24	D3	FUEL CHECK VALVE (6404A, T)	25-5
D11	AUTOMATIC ADVANCE, INJECTION PUMP(6404D)	25-14	D1	FUEL FILTER (6404A, T)	25-3
	B		D2	FUEL FILTER (6404A, T)	25-4
B1	BEARING, MAIN	10-10	C22	FUEL FILTER (6404D)	25-2
B1	BEARING, MAIN THRUST	10-10	F18	FUEL INJECTION NOZZLE (6404A)	25-65
A15	BLOCK, CYLINDER	10-2	E12	FUEL INJECTION NOZZLE (6404A, T)	25-37
G3	BRACKET, THROTTLE CABLE (6404A, T)	75-3	E3	FUEL INJECTION NOZZLE (6404D)	25-28
G2	BRACKET, THROTTLE CABLE (6404D)	75-2	F6	FUEL INJECTION NOZZLE (6404T)	25-53
	C		E5	FUEL INJECTION PUMP (6404A, T)	25-30
G3	CABLE, PUSH-PULL (6404A, T)	75-3	E13	FUEL INJECTION PUMP (6404A, T)	25-38
G2	CABLE, PUSH-PULL (6404D)	75-2	E15	FUEL INJECTION PUMP (6404A, T)	25-40
B11	CAMSHAFT	10-20	D4	FUEL INJECTION PUMP (6404D)	25-6
B11	CAMSHAFT GEAR	10-20	D16	FUEL INJECTION PUMP (6404D)	25-20
A21	CAP, OIL FILLER CAP	10-8	C21	FUEL PIPES (6404D)	25-1
C13	CAP, RADIATOR (6404A, T)	20-3	D4	FUEL PIPES (6404D)	25-6
C12	CAP, RADIATOR (6404D)	20-2	C21	FUEL PUMP (6404D)	25-1
C6	CLEANER, AIR	15-13	F17	FUEL TRANSFER PUMP (6404A)	25-64
F20	CLUTCH, PTO	30-2	F5	FUEL TRANSFER PUMP (6404T)	25-52
B6	CONNECTING ROD (6404A, T)	10-15		G	
B5	CONNECTING ROD (6404D)	10-14	A19	GASKET SET (6404A, T)	10-6
C8	COOLANT HEATER, ENGINE	15-15	A18	GASKET SET (6404D)	10-5
B15	COOLER, ENGINE OIL	10-24	B7	GASKET, CYLINDER HEAD	10-16
B8	COVER, ROCKER ARM	10-17	B11	GEAR, CAMSHAFT	10-20
A21	COVER, TIMING GEAR	10-8	B4	GEAR, CRANKSHAFT (6404A)	10-13
B4	CRANKSHAFT (6404A)	10-13	B3	GEAR, CRANKSHAFT (6404D, T)	10-12
B3	CRANKSHAFT (6404D, T)	10-12	B12	GEARS, ENGINE OIL PUMP	10-21
A15	CYLINDER BLOCK	10-2	F9	GOVERNOR, INJECTION PUMP (6404A)	25-56
B7	CYLINDER HEAD	10-16	F15	GOVERNOR, INJECTION PUMP (6404A)	25-62
	D		E9	GOVERNOR, INJECTION PUMP (6404A, T)	25-34
A15	DIPSTICK	10-2	D13	GOVERNOR, INJECTION PUMP (6404D)	25-16
D11	DRIVE SHAFT, INJECTION PUMP (6404D)	25-14	E1	GOVERNOR, INJECTION PUMP (6404D)	25-26
D20	DRIVE SHAFT, INJECTION PUMP (6404D)	25-24	E19	GOVERNOR, INJECTION PUMP (6404T)	25-44
	E		F3	GOVERNOR, INJECTION PUMP (6404T)	25-50
B13	ELEMENT, ENGINE OIL FILTER	10-22		H	
C8	ENGINE COOLANT HEATER	15-15	G11	HARNES, WIRING	85-2
C10	ENGINE MOUNTS	15-17	D13	HEAD AND ROTOR, INJECTION PUMP (6404D)	25-16
A14	ENGINE OIL	10-1	E1	HEAD AND ROTOR, INJECTION PUMP (6404D)	25-26
B15	ENGINE OIL COOLER	10-24	B7	HEAD, CYLINDER	10-16
			C8	HEATER, ENGINE COOLANT	15-15
			C9	HOUSING, FLYWHEEL	15-16
			C16	HOUSING, THERMOSTAT (6404D)	20-6
			C17	HOUSING, THERMOSTAT (6404D)	20-7
			C15	HUB, FAN (6404A, T)	20-5

ALPHABETICAL INDEX - CONTINUED

GRID		PAGE
C14	HUB, FAN (6404D)	20-4
I		
E4	INJECTION NOZZLE (6404D)	25-29
F11	INJECTION PUMP ANEROID (6404A)	25-58
E21	INJECTION PUMP ANEROID (6404T)	25-46
D20	INJECTION PUMP AUTO. ADVANCE (6404D)	25-24
D11	INJECTION PUMP AUTOMATIC ADVANCE (6404D)	25-14
D11	INJECTION PUMP DRIVE SHAFT (6404D)	25-14
D20	INJECTION PUMP DRIVE SHAFT (6404D)	25-24
D10	INJECTION PUMP ELECTRIC SHUT-OFF	25-12
F9	INJECTION PUMP GOVERNOR (6404A)	25-56
F15	INJECTION PUMP GOVERNOR (6404A)	25-62
E9	INJECTION PUMP GOVERNOR (6404A, T)	25-34
D13	INJECTION PUMP GOVERNOR (6404D)	25-16
E1	INJECTION PUMP GOVERNOR (6404D)	25-26
E19	INJECTION PUMP GOVERNOR (6404T)	25-44
F3	INJECTION PUMP GOVERNOR (6404T)	25-50
D13	INJECTION PUMP HEAD AND ROTOR (6404D)	25-16
E1	INJECTION PUMP HEAD AND ROTOR (6404D)	25-26
D6	INJECTION PUMP LINKAGE (6404D)	25-8
D8	INJECTION PUMP LINKAGE (6404D)	25-10
D18	INJECTION PUMP LINKAGE (6404D)	25-22
F7	INJECTION PUMP PARTS (6404A)	25-54
F13	INJECTION PUMP PARTS (6404A)	25-60
E7	INJECTION PUMP PARTS (6404A, T)	25-32
E17	INJECTION PUMP PARTS (6404T)	25-42
F1	INJECTION PUMP PARTS (6404T)	25-48
G4	INJECTION PUMP SHUT-OFF RACK PULLER	75-4
E11	INJECTION PUMP TRANSFER PUMP (6404A, T)	25-36
D15	INJECTION PUMP TRANSFER PUMP (6404D)	25-18
E2	INJECTION PUMP TRANSFER PUMP (6404D)	25-27
D4	INJECTION PUMP, FUEL (6404D)	25-6
F18	INJECTOR NOZZLE (6404A)	25-65
E12	INJECTOR NOZZLE (6404A, T)	25-37
E3	INJECTOR NOZZLE (6404D)	25-28
F6	INJECTOR NOZZLE (6404T)	25-53
G8	INSTRUMENT PANEL (6404A, T)	75-8
G6	INSTRUMENT PANEL (6404D)	75-6
G8	INSTRUMENTS (6404A, T)	75-8
G6	INSTRUMENTS (6404D)	75-6
B19	INTAKE MANIFOLD	15-3
B20	INTAKE MANIFOLD (6404A)	15-4
B17	INTAKE MANIFOLD (6404D)	15-1
B18	INTAKE MANIFOLD (6404T)	15-2
C7	INTAKE PIPES, AIR	15-14
B20	INTERCOOLER (6404A)	15-4
K		
A14	KIT, OFF-SEASON STORAGE	10-1
G12	KIT, WIRING	85-3
L		
C10	LIFT STRAP	15-17
B6	LINER, PISTON (6404A, T)	10-15
B5	LINER, PISTON (6404D)	10-14
E15	LINES, FUEL INJECTION (6404A, T)	25-40
D6	LINKAGE, INJECTION PUMP (6404D)	25-8
D8	LINKAGE, INJECTION PUMP (6404D)	25-10
D18	LINKAGE, INJECTION PUMP (6404D)	25-22

GRID		PAGE
M		
B1	MAIN BEARING	10-10
B1	MAIN THRUST BEARING	10-10
B22	MANIFOLD, EXHAUST (6404A, T)	15-6
B21	MANIFOLD, EXHAUST (6404D)	15-5
B19	MANIFOLD, INTAKE	15-3
B20	MANIFOLD, INTAKE (6404A)	15-4
B17	MANIFOLD, INTAKE (6404D)	15-1
B18	MANIFOLD, INTAKE (6404T)	15-2
C18	MANIFOLD, WATER (6404A, T)	20-8
C16	MANIFOLD, WATER OUTLET (6404D)	20-6
B14	METER, SPEED-HOUR	10-23
C10	MOUNT, ENGINE	15-17
N		
F18	NOZZLE, FUEL INJECTION (6404A)	25-65
F6	NOZZLE, FUEL INJECTION (6404T)	25-53
E4	NOZZLE, INJECTION (6404D)	25-29
E12	NOZZLE, INJECTOR (6404A, T)	25-37
E3	NOZZLE, INJECTOR (6404D)	25-28
D16	NOZZLES, FUEL INJECTION (6404D)	25-20
O		
B12	OIL COOLER BYPASS VALVE	10-21
B15	OIL COOLER, ENGINE	10-24
B13	OIL FILTER, ENGINE	10-22
A17	OIL PAN	10-4
B12	OIL PUMP, ENGINE	10-21
A21	OIL SEAL, REAR	10-8
A14	OIL, ENGINE	10-1
C16	OUTLET MANIFOLD, WATER (6404D)	20-6
P		
A17	PAN, OIL	10-4
G8	PANEL, INSTRUMENT (6404A, T)	75-8
G6	PANEL, INSTRUMENT (6404D)	75-6
E13	PIPES, FUEL INJECTION (6404A, T)	25-38
C7	PIPES, AIR INTAKE	15-14
C21	PIPES, FUEL (6404D)	25-1
D4	PIPES, FUEL (6404D)	25-6
E5	PIPES, FUEL INJECTION (6404A, T)	25-30
D16	PIPES, FUEL INJECTION PUMP (6404D)	25-20
B23	PIPES, TURBOCHARGER	15-7
B6	PISTON (6404A, T)	10-15
B5	PISTON (6404D)	10-14
F20	PTO	30-2
G4	PULLER, INJECTION PUMP RACK	75-4
G5	PULLER, RACK	75-5
B12	PUMP, ENGINE OIL	10-21
C21	PUMP, FUEL (6404D)	25-1
E5	PUMP, FUEL INJECTION (6404A, T)	25-30
E13	PUMP, FUEL INJECTION (6404A, T)	25-38
E15	PUMP, FUEL INJECTION (6404A, T)	25-40
D4	PUMP, FUEL INJECTION (6404D)	25-6
D16	PUMP, FUEL INJECTION (6404D)	25-20
F17	PUMP, FUEL TRANSFER (6404A)	25-64
F5	PUMP, FUEL TRANSFER (6404T)	25-52
E11	PUMP, INJECTION PUMP TRANSFER (6404A, T)	25-36
D15	PUMP, INJECTION PUMP TRANSFER (6404D)	25-18
E2	PUMP, INJECTION PUMP TRANSFER (6404D)	25-27

ALPHABETICAL INDEX - CONTINUED

<i>GRID</i>		<i>PAGE</i>	<i>GRID</i>		<i>PAGE</i>
C15	PUMP, WATER (6404A, T)	20-5		V	
C14	PUMP, WATER (6404D)	20-4	D3	VALVE, FUEL CHECK (6404A, T)	25-5
	R		B12	VALVE, OIL COOLER BYPASS	10-21
G5	RACK PULLER	75-5	B9	VALVE, ROCKER ARM	10-18
C13	RADIATOR (6404A, T)	20-3		W	
C12	RADIATOR (6404D)	20-2	C18	WATER MANIFOLD (6404A, T)	20-8
A21	REAR OIL SEAL	10-8	C16	WATER OUTLET MANIFOLD (6404D)	20-6
G11	RELAY, STARTING CIRCUIT	85-2	C15	WATER PUMP (6404A, T)	20-5
B6	RINGS, PISTON (6404A, T)	10-15	C14	WATER PUMP (6404D)	20-4
B5	RINGS, PISTON (6404D)	10-14	G11	WIRING HARNESS	85-2
B8	ROCKER ARM COVER	10-17	G12	WIRING KIT	85-3
B9	ROCKER ARM SHAFTS	10-18			
B9	ROCKER ARMS	10-18			
B6	ROD, CONNECTING (6404A, T)	10-15			
B5	ROD, CONNECTING (6404D)	10-14			
	S				
A21	SEAL, REAR OIL	10-8			
D20	SHAFT, INJECTION PUMP DRIVE (6404D)	25-24			
B9	SHAFT, ROCKER ARM	10-18			
C13	SHROUD, FAN (6404A, T)	20-3			
C12	SHROUD, FAN (6404D)	20-2			
D10	SHUT-OFF, INJECTION PUMP ELECTRIC	25-12			
G18	SOLENOID SWITCH	85-9			
G20	SOLENOID SWITCH	85-11			
G21	SOLENOID SWITCH	85-12			
G23	SOLENOID SWITCH	85-14			
B14	SPEED-HOUR METER DRIVE	10-23			
G18	STARTER DRIVE HOUSING	85-9			
G21	STARTER DRIVE HOUSING	85-12			
G21	STARTER GEAR	85-12			
G19	STARTER MAIN FRAME	85-10			
G22	STARTER MAIN FRAME	85-13			
G23	STARTER SOLENOID SWITCH	85-14			
G11	STARTING CIRCUIT RELAY	85-2			
C10	STRAP, LIFT	15-17			
C5	SUPPORT, AIR CLEANER	15-12			
G20	SWITCH, SOLENOID	85-11			
G23	SWITCH, SOLENOID	85-14			
G21	SWITCH, STARTER SOLENOID	85-12			
	T				
C18	THERMOSTAT (6404A, T)	20-8			
C16	THERMOSTAT (6404D)	20-6			
C17	THERMOSTAT (6404D)	20-7			
C16	THERMOSTAT HOUSING (6404D)	20-6			
C17	THERMOSTAT HOUSING (6404D)	20-7			
G3	THROTTLE CABLE (6404A, T)	75-3			
G2	THROTTLE CABLE (6404D)	75-2			
A21	TIMING GEAR COVER	10-8			
F17	TRANSFER PUMP, INJECTION PUMP (6404A)	25-64			
E11	TRANSFER PUMP, INJECTION PUMP (6404A, T)	25-36			
D15	TRANSFER PUMP, INJECTION PUMP (6404D)	25-18			
E2	TRANSFER PUMP, INJECTION PUMP (6404D)	25-27			
F5	TRANSFER PUMP, INJECTION PUMP (6404T)	25-52			
C2	TURBOCHARGER (AIRESEARCH)	15-9			
C4	TURBOCHARGER (SCHWITZER)	15-11			
C1	TURBOCHARGER (6404A, T)	15-8			
C3	TURBOCHARGER (6404A, T)	15-10			
B23	TURBOCHARGER OIL AND AIR PIPES	15-7			

MEMORANDA

TORQ-GARD SUPREME ENGINE OIL

X3377



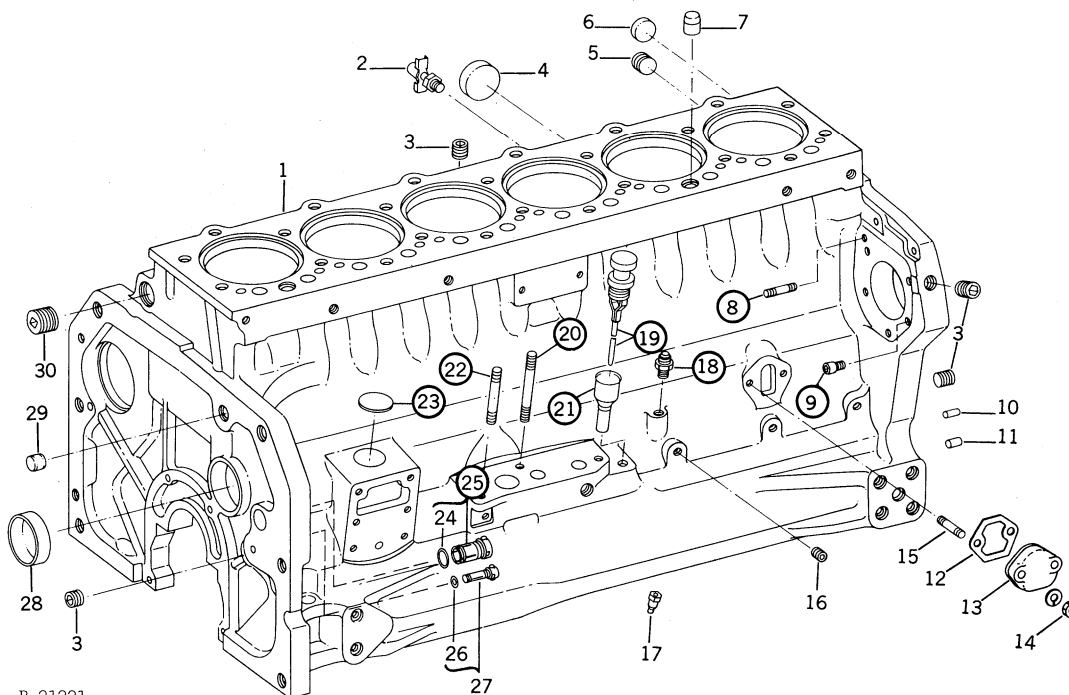
KEY	PART NO.	ENGINE SERIAL NO.	DESCRIPTION
..	AR 63980	(-)	OIL (SAE 5W/20), 1 HALF PINT (0.2L) CAN
..	AR 63228	(-)	OIL (SAE 5W/20), 1 QUART (0.9L) CAN
..	AR 63229	(-)	OIL (SAE 5W/20), 5 GALLON (19L) CAN
..	AR 63230	(-)	OIL (SAE 5W/20), 55 GALLON (208L) DRUM
..	AR 63223	(-)	OIL (SAE 10W/20), 1 QUART (0.9L) CAN
..	AR 65889	(-)	OIL (SAE 10W/20), 1 GALLON (3.8L) CAN
..	AR 63224	(-)	OIL (SAE 10W/20), 5 GALLON (19L) CAN
..	AR 63225	(-)	OIL (SAE 10W/20), 16 GALLON (61L) DRUM
..	AR 63226	(-)	OIL (SAE 10W/20), 30 GALLON (114L) DRUM
..	AR 63227	(-)	OIL (SAE 10W/20), 55 GALLON (208L) DRUM
..	AR 63979	(-)	OIL (SAE 30), A HALF PINT (0.2L) CAN
..	AR 63218	(-)	OIL (SAE 30), 1 QUART (0.9L) CAN
..	AR 65888	(-)	OIL (SAE 30), 1 GALLON (3.8L) CAN
..	AR 63219	(-)	OIL (SAE 30), 5 GALLON (19L) CAN
..	AR 63220	(-)	OIL (SAE 30), 16 GALLON (61L) DRUM
..	AR 63221	(-)	OIL (SAE 30), 30 GALLON (114L) DRUM
..	AR 63222	(-)	OIL (SAE 30), 55 GALLON (208L) DRUM

**KIT FOR OFF-SEASON STORAGE
(NOT ILLUSTRATED)**

KEY	PART NO.	ENGINE SERIAL NO.	DESCRIPTION
..	AR 41785	(-)	KIT, OFF-SEASON STORAGE, FOR ENGINE POWERED EQUIPMENT. THIS KIT CONTAINS 1 QT. (0.9L) CAN OF INTERNAL CORROSION INHIBITOR, 1 ROLL OF TAPE, AND 6 PLASTIC BAGS.
..	AR 41870	(-)	INHIBITOR, 1 QT. (0.9L) CAN OF INTERNAL CORROSION

CYLINDER BLOCK

R21221



R 21221

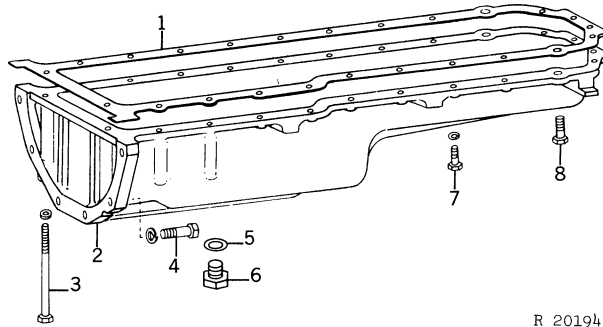
KEY	PART NO.	ENGINE SERIAL NO.	DESCRIPTION
1	AR 63271	(-)	BLOCK, CYLINDER, WITH MAIN BEARING CAPS, CAMSHAFT BUSHINGS, STUDS, AND DOWEL PINS (MARKED R49650 OR R49470)
2	AT 13740	(-)	COCK, DRAIN
3	15H 564	(-)	PLUG, PIPE, HEX. CTSK., 1/2" (4 USED 6404A, T) (5 USED 6404D)
I 4	AR 80294	(-)	PLUG (SUB. FOR R47092)
I 5	15H 665	(-)	PLUG, PIPE, HEX. CTSK., 3/4"
6	R 27036	(-)	PLUG
7	R 42340	(-)	DOWEL, HOLLOW (2 USED)
8	R 55396	(-)	STUD, 3/8" X 1-11/16" (4 USED 6404A, T) (1 USED 6404D)
	R 48755	(-)	STUD, 5/16" X 1-1/2" (4 USED 6404D)
9	R 56544	(-)	SCREW, SPECIAL CAP (4 USED 6404D)
	R 56545	(-)	SCREW, SPECIAL CAP (4 USED 6404A, T)
10	R 1612 R	(-)	PIN, DOWEL (2 USED)
11	F 1743 R	(-)	PIN, DOWEL (2 USED)
12	R 27285	(-)	GASKET (6404A, T)
13	R 27286	(-)	COVER (6404A, T)
14	14H 785	(-)	NUT, 5/16" (2 USED)
	12H 303	(-)	WASHER, LOCK, 5/16" (2 USED)
15	R 48755	(-)	STUD, 5/16" X 1-1/2" (2 USED)
16	R 21630	(-)	PLUG, SPECIAL PIPE (5 USED 6404D) (4 USED 6404A, T)
17	R 43621	(-)	ORIFICE, PISTON COOLING (6 USED)
18	R 39832	(-)	CONNECTOR, 1/8"-27 NPT X 3/8"-24 (6404A)
19	AR 58986	(-)	DIPSTICK
20	R 55395	(-)	STUD, 3/8" X 5/8"
21	AR 54557	(-)	TUBE, DIPSTICK
I 22	F 3646 R	(-)	STUD, 3/8" X 3"
23	30H 25	(-)	PLUG, EXPANSION, 2"
	30H 17	(-)	PLUG, EXPANSION, 1-1/4"
24	R 27149	(-)	O-RING
25	AR 61533	(-)	PLUG WITH O-RING (WITHOUT FLYWHEEL HOUSING)
	(-)	PLUG, CAP (WITH FLYWHEEL HOUSING)
26	A 4365 R	(-)	O-RING
27	AR 61589	(-)	PLUG WITH O-RING
28	R 26115	(-)	PLUG
29	R 43634	(-)	PIN, DOWEL
30	15H 562	(-)	PLUG, PIPE, SQ. CTSK., 1"
I ..	AR 27977	(-)	SWITCH, ENGINE OIL PRESSURE (NO INSTRUMENT PANEL)

CYLINDER BLOCK - CONTINUED

<i>KEY</i>	<i>PART NO.</i>	<i>ENGINE SERIAL NO.</i>	<i>DESCRIPTION</i>
..	AR 71120	(-)	BLOCK, SHORT, ENGINE REPLACEMENT, CONSISTING OF BLOCK, CONNECTING RODS, PISTONS, LINERS, CAMSHAFT, CRANKSHAFT, BEARING, MISC. PARTS AND NECESSARY GASKETS FOR INSTALLATION (6404A, T) (SUB. FOR AR63267)
..	AR 71121	(-)	BLOCK, SHORT, ENGINE REPLACEMENT, CONSISTING OF BLOCK, CONNECTING RODS, PISTONS, LINERS, CAMSHAFT, CRANKSHAFT BEARING, MISC. PARTS AND NECESSARY GASKETS FOR INSTALLATION (6404D) (SUB. FOR AR63934)

R20194

OIL PAN

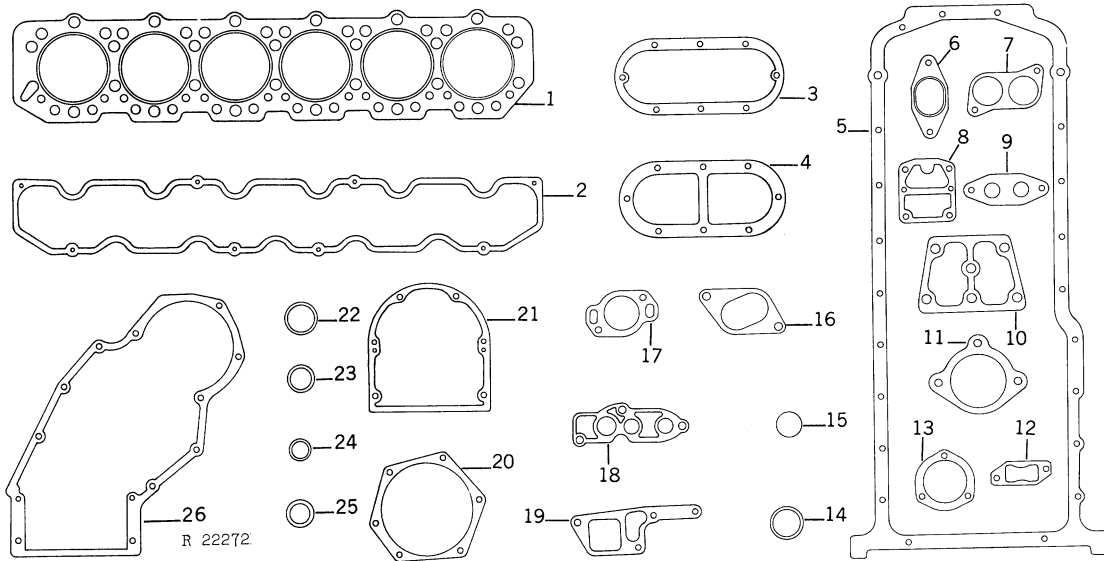


R 20194

KEY	PART NO.	ENGINE SERIAL NO.	DESCRIPTION
1	R 50600	(-)	GASKET
2	R 53013	(-)	PAN, OIL (6404A)
	R 53138	(-)	PAN, OIL (6404D, T)
3	19H 2205	(-)	SCREW, CAP, 3/8" X 6" (2 USED)
	12H 304	(-)	WASHER, LOCK, 3/8" (2 USED)
I	19H 1856	(-)	SCREW, CAP, 3/8" X 5-1/4" (2 USED)
	12H 304	(-)	WASHER, LOCK, 3/8" (2 USED)
4	19H 1777	(-)	SCREW, CAP, 1/2" X 1-3/4" (6 USED)
	12H 301	(-)	WASHER, LOCK, 1/2" (6 USED)
5	A 4827 R	(-)	WASHER, ALUMINUM (2 USED)
6	R 51944	(-)	PLUG, DRAIN (2 USED)
7	19H 2552	(-)	SCREW, CAP, 3/8" X 1-1/8" (16 USED)
	19H 1765	(-)	SCREW, CAP, 3/8" X 1-3/4" (2 USED)
	12H 304	(-)	WASHER, LOCK, 3/8" (18 USED)
8	R 27693	(-)	SCREW, SPECIAL CAP (2 USED)

**GASKET SET
(6404D)**

R22272



KEY	PART NO.	ENGINE SERIAL NO.	DESCRIPTION
1	R 53438	*	GASKET, CYLINDER HEAD
2	R 32593	*	GASKET, ROCKER ARM COVER
3	R 50419		GASKET, OIL COOLER COVER
4	AR 58952		GASKET, OIL COOLER SPACER
5	R 53282		GASKET, OIL PAN
6	R 44374	*	GASKET, EXHAUST MANIFOLD, OUTER (2 USED)
7	R 44373	*	GASKET, EXHAUST MANIFOLD, INNER (2 USED)
8	R 62410		GASKET, SPEED-HOUR METER DRIVE GEAR HOUSING (SUB. FOR R44853)
9	R 50424		GASKET, OIL COOLER TUBE ADAPTER TO CYLINDER BLOCK
10	R 43595		GASKET, CYLINDER HEAD WATER OPENING COVER
11	R 53108		GASKET, STARTING MOTOR TO CYLINDER BLOCK
12	R 42693	*	GASKET, WATER OUTLET MANIFOLD TO CYLINDER HEAD (2 USED)
13	R 52049		GASKET, OIL PUMP HOUSING COVER
14	R 48399		PACKING, FUEL PUMP
15	T 20328		GASKET, CRANKCASE OIL FILLER CAP
16	R 26297	*	GASKET, INTAKE MANIFOLD (3 USED)
17	R 42694	*	GASKET, WATER OUTLET MANIFOLD
18	R 43774		GASKET, OIL FILTER BODY TO CYLINDER BLOCK
19	R 42406		GASKET, WATER PUMP SPACER
20	R 50390		GASKET, INJECTION PUMP ACCESS COVER
21	R 26058		GASKET, CRANKSHAFT OIL SEAL HOUSING
22	R 59343	*	PACKING, O-RING, VENTILATOR OUTLET TUBE (SUB. FOR R495R)
23	R 43780	*	PACKING, O-RING (2 USED)
24	R 50420		PACKING, O-RING (4 USED)
25	R 50378		PACKING, O-RING BYPASS HOUSING TO CYLINDER BLOCK AND OIL PUMP TUBE (4 USED)
26	R 50353		GASKET, TIMING GEAR COVER

SET LISTED BELOW CONTAINS ALL PARTS LISTED ON THIS PAGE.

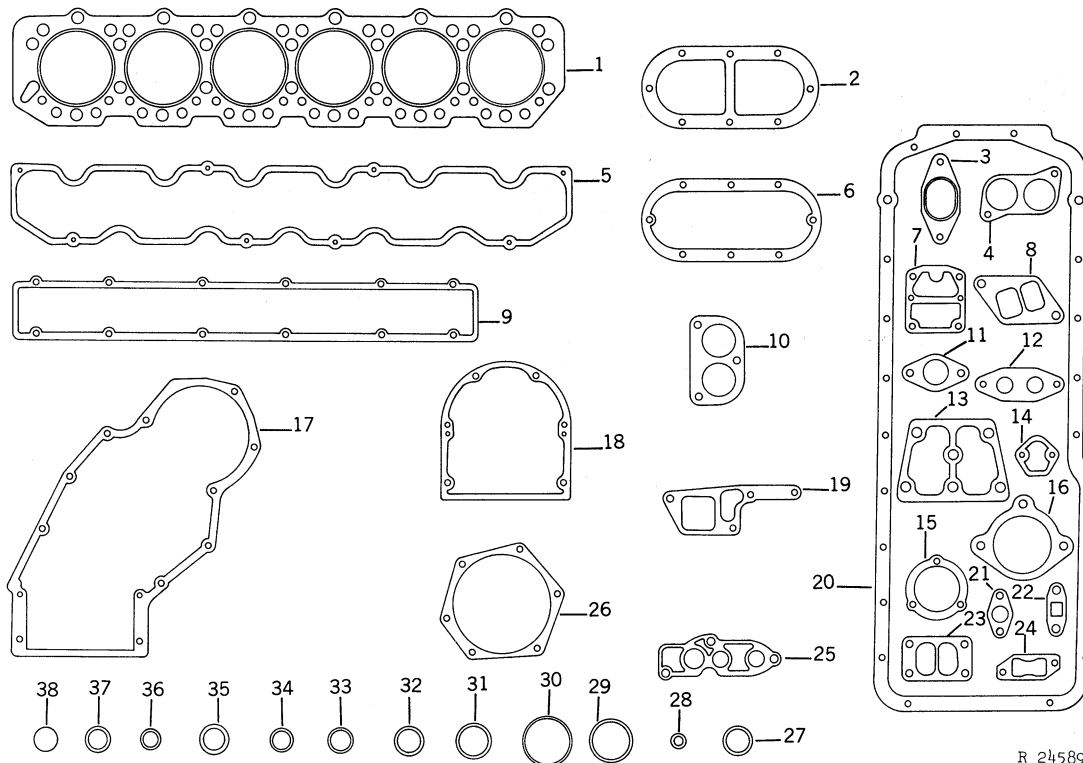
.. AR 63938 (-) GASKET, PACKAGED FOR ENGINE REBUILD

* SET LISTED BELOW CONTAINS ALL PARTS FOLLOWED BY AN ASTERISK ON THIS PAGE.

.. AR 63940 (-) GASKETS, PACKAGED FOR CYLINDER HEAD REMOVAL

**GASKET SET
(6404A, T)**

R24589



R 24589

KEY	PART NO.	ENGINE SERIAL NO.	DESCRIPTION
1	R 48291	*	GASKET, CYLINDER HEAD
2	R 50419	*	GASKET, OIL COOLER COVER
3	R 44374	*	GASKET, EXHAUST MANIFOLD, OUTER (2 USED)
4	R 44373	*	GASKET, EXHAUST MANIFOLD, INNER (2 USED)
5	R 32593	*	GASKET, ROCKER ARM COVER
6	AR 58952	*	GASKET, OIL COOLER SPACER (2 USED)
7	R 62410	*	GASKET, SPEED-HOUR METER DRIVE GEAR HOUSING (SUB. FOR R44853)
8	R 50397	*	GASKET, INTAKE MANIFOLD
9	R 50399	#	GASKET, INTAKE MANIFOLD COVER (2 USED)
10	R 46479	*	GASKET, THERMOSTAT COVER TO MANIFOLD
11	R 47395	*	GASKET, INTAKE MANIFOLD COVER ADAPTER, REAR
12	R 50424	#	GASKET, OIL COOLER TUBE ADAPTER TO CYLINDER BLOCK
13	R 43595	*	GASKET, CYLINDER HEAD WATER OPENING COVER
14	R 27285	*	GASKET, FUEL PUMP OPENING COVER
15	R 52049	*	GASKET, OIL PUMP HOUSING COVER
16	R 53108	*	GASKET, STARTING MOTOR TO CYLINDER BLOCK
17	R 50353	*	GASKET, TIMING GEAR COVER
18	R 26058	*	GASKET, CRANKSHAFT OIL SEAL HOUSING
19	R 42406	*	GASKET, WATER PUMP SPACER (2 USED)
20	R 53282	*	GASKET, OIL PAN
21	R 43413	*	GASKET, TURBOCHARGER OIL INLET LINE ADAPTER
22	R 43416	*	GASKET, TURBOCHARGER OIL INLET LINE
23	R 43751	*	GASKET, TURBOCHARGER TO EXHAUST MANIFOLD
24	R 42693	*	GASKET, WATER OUTLET MANIFOLD TO CYLINDER HEAD (2 USED)
25	R 43774	*	GASKET, OIL FILTER BODY TO CYLINDER BLOCK
26	R 50390	*	GASKET, INJECTION PUMP ACCESS COVER
27	R 50420	*	PACKING, O-RING, WATER BYPASS TUBE (2 USED)
28	R 48633	*	WASHER, COPPER, INJECTION NOZZLE TO CYLINDER HEAD (6 USED)
29	R 50406	*	PACKING, O-RING INTAKE COUPLING
30	R 50405	*	PACKING, O-RING INTAKE COUPLING
31	R 50378	*	PACKING, O-RING, BYPASS HOUSING TO CYLINDER BLOCK AND OIL PUMP TUBE (4 USED)

**GASKET SET - CONTINUED
(6404A, T)**

KEY	PART NO.		ENGINE SERIAL NO.		DESCRIPTION
32	R 50420		(-)		PACKING, O-RING, OIL COOLER COVER TO ADAPTER TUBE (4 USED)
33	R 52811	*	(-)		PACKING, O-RING, INTERCOOLER (2 USED)
34	R 43780	*	(-)		PACKING, O-RING, TURBOCHARGER OIL OUTLET LINE TO CYLINDER BLOCK CONNECTOR
35	R 59343	*	(-)		PACKING, O-RING, VENTILATOR OUTLET TUBE (SUB. FOR R495R)
36	R 51603	*	(-)		PACKING, O-RING, FUEL INJECTION NOZZLE (6 USED)
37	R 48693		(-)		GASKET, INJECTION LEAK-OFF LINE (12 USED)
38	T 20328		(-)		GASKET, OIL FILLER CAP

SET LISTED BELOW CONTAINS ALL PARTS LISTED ON THIS PAGE AND PAGES

.. AR 63269 (-) GASKET, PACKAGED FOR ENGINE REBUILD

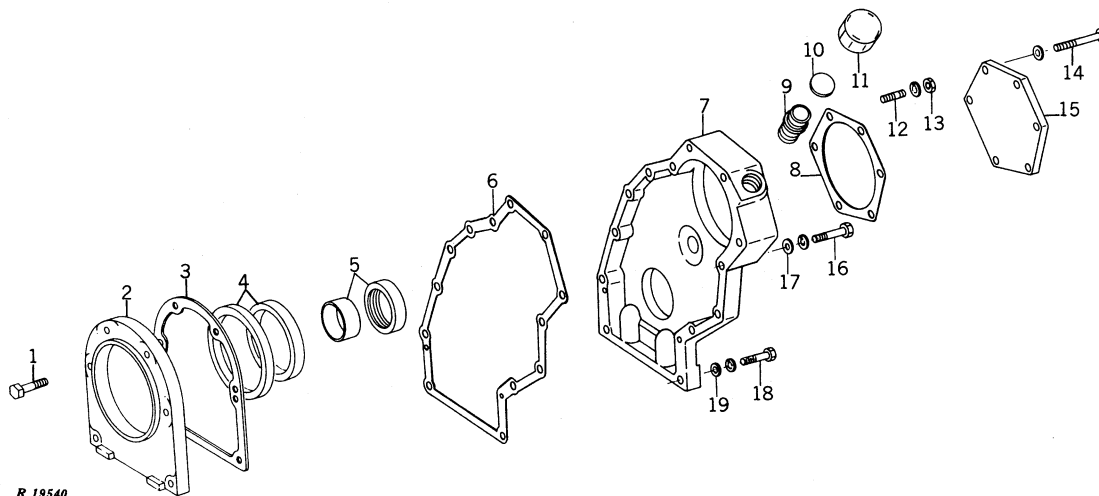
* SET LISTED BELOW CONTAINS ALL PARTS FOLLOWED BY AN ASTERISK ON THIS PAGE AND PAGE 10-6

.. AR 63270 (-) GASKET, PACKAGED FOR CYLINDER HEAD REMOVAL

NOT INCLUDED IN EITHER KIT.

REAR OIL SEAL AND TIMING GEAR COVER

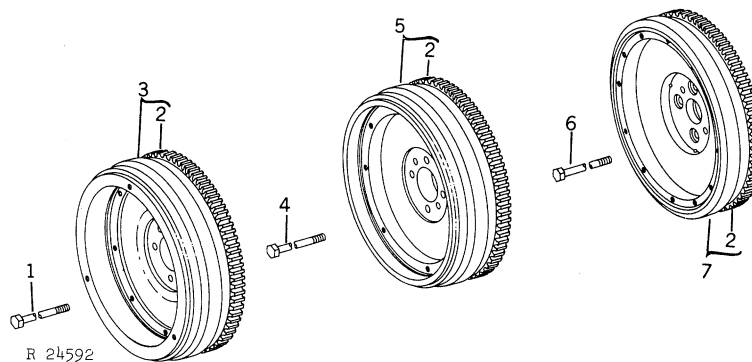
R19540



KEY	PART NO.	ENGINE SERIAL NO.	DESCRIPTION
1	R 47074	(-)	SCREW, SPECIAL CAP (6 USED)
2	R 41406	(-)	HOUSING, CRANKSHAFT REAR OIL SEAL
3	R 26058	(-)	GASKET
4	AR 63095	(-)	SEAL, OIL, WITH CRANKSHAFT REAR WEAR SLEEVE (SUB. FOR AR49650)
5	AR 49025	(-)	SEAL, OIL, WITH WEAR SLEEVE
6	R 50353	(-)	GASKET
7	R 50352	(-)	COVER, TIMING GEAR
8	R 50390	(-)	GASKET
9	R 50354	(-)	NIPPLE, OIL FILLER
10	T 20328	(-)	GASKET, CAP
11	T 20294	(-)	CAP, CRANKCASE OIL FILLER
	R 48628	(-)	LABEL, OIL FILLER CAP
12	R 50355	(-)	STUD, SPECIAL
13	14H 785	(-)	NUT, 5/16"
	12H 303	(-)	WASHER, LOCK, 5/16"
14	19H 1907	(-)	SCREW, CAP, 5/16" X 2-3/4" (5 USED)
	12H 303	(-)	WASHER, LOCK, 5/16" (5 USED)
15	R 50393	(-)	COVER, INJECTION PUMP ACCESS
16	19H 2713	(-)	SCREW, CAP, 5/16" X 1-7/8" (6 USED)
	12H 303	(-)	WASHER, LOCK, 5/16" (6 USED)
17	24H 1136	(-)	WASHER, 11/32" X 11/16" X .060" (6 USED)
18	19H 1906	(-)	SCREW, CAP, 5/16" X 1-1/2" (2 USED)
	12H 303	(-)	WASHER, LOCK, 5/16" (2 USED)
19	24H 1136	(-)	WASHER, 11/32" X 11/16" X .060" (2 USED)

FLYWHEEL
CODE 1501 FLYWHEEL FOR 10 INCH OVER CENTER CLUTCH
CODE 1505 FLYWHEEL FOR 11.5 INCH OVER CENTER CLUTCH
CODE 1507 FLYWHEEL FOR 14 INCH SINGLE PLATE

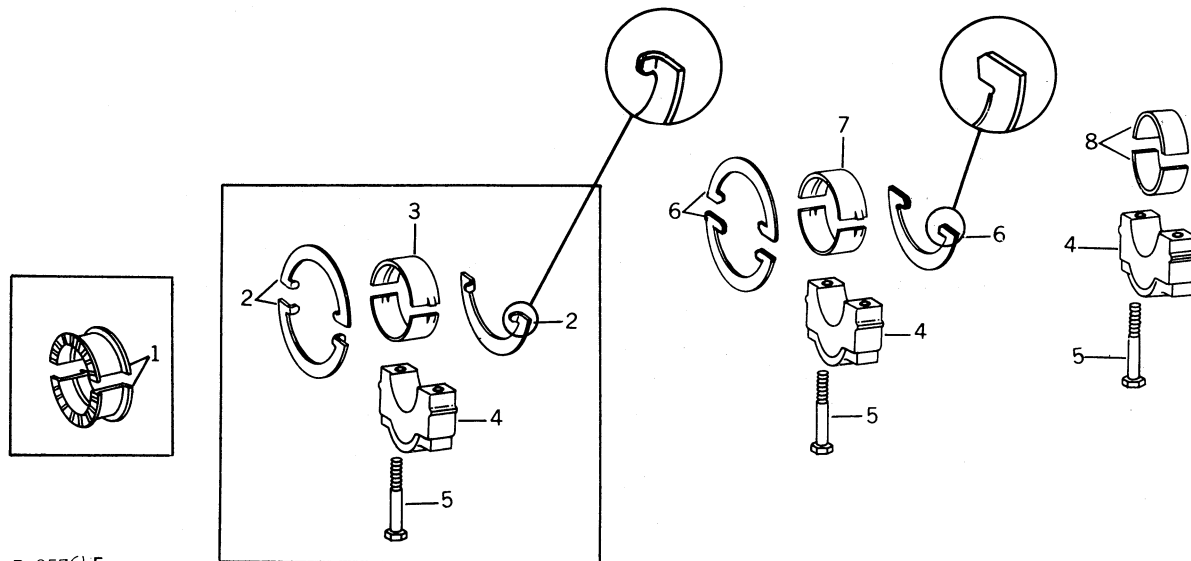
R24592



KEY	PART NO.	ENGINE SERIAL NO.	CODE	DESCRIPTION
1	T 12637	(-)	1501	SCREW, SPECIAL CAP (4 USED) (10-INCH (254MM) FLYWHEEL)
2	R 28811	(-)		GEAR, STARTER
3	AR 54969	(-)	1501	FLYWHEEL, WITH STARTER GEAR (MARKED R50860) (FOR USE WITH 10-INCH (254MM) OVER CENTER CLUTCH)
4	R 43369	(-)	1505	SCREW, SPECIAL CAP (4 USED) (11.5-INCH (292MM) FLYWHEEL)
5	AR 70168	(-)	1505	FLYWHEEL, WITH STARTER GEAR (MARKED R58449) (FOR USE WITH 11.5-INCH (292MM) OVER CENTER CLUTCH)
6	T 12637	(-)	1507	SCREW, SPECIAL CAP (4 USED) (14-INCH (356MM) FLYWHEEL)
7	AR 68167	(-)	1507	FLYWHEEL, WITH STARTER GEAR (MARKED R56962) (FOR USE WITH 14-INCH (356MM) SINGLE PLATE)

MAIN AND MAIN THRUST BEARINGS

R25764F



R 25764F

KEY	PART NO.	ENGINE SERIAL NO.	DESCRIPTION
1	AR 65235	(- XXXXX)	BEARING, MAIN THRUST (PKG. OF ONE R55596 AND ONE R55597) (1 PKG. USED) (SUB. FOR AR48940) (SUB. AR77748 AND AR77747)
	AR 65236	(- XXXXX)	BEARING, MAIN THRUST, .002" (0.05MM) UNDERSIZE, WITH STANDARD FLANGE (PKG. OF ONE R55737 AND R55738) (1 PKG. USED) (SUB. FOR AR49232)
	AR 65237	(- XXXXX)	BEARING, MAIN THRUST, .010" (0.25MM) UNDERSIZE, WITH STANDARD FLANGE (PKG. OF ONE R55739 AND R55740) (1 PKG. USED) (SUB. FOR AR42933) (SUB. AR77750 AND AR77747)
	AR 65238	(- XXXXX)	BEARING, MAIN THRUST, .020" (0.51MM) UNDERSIZE, WITH STANDARD FLANGE (PKG. OF ONE R55741 AND R55742) (1 PKG. USED) (SUB. FOR AR49234)
	AR 65239	(- XXXXX)	BEARING, MAIN THRUST, .030" (0.76MM) UNDERSIZE, WITH STANDARD FLANGE (PKG. OF ONE R55743 AND R55744) (1 PKG. USED) (SUB. FOR AR49235)
	AR 65240	(- XXXXX)	BEARING, MAIN THRUST, .010" (0.25MM) UNDERSIZE, WITH .007" (0.18MM) OVERSIZE FLANGE (PKG. OF ONE R55745 AND ONE R55746) (1 PKG. USED) (SUB. FOR AR49236)
2	AR 73275	(XXXXX - XXXXX)	WASHER, THRUST, MAIN BEARING (PKG. OF THREE R57778) (1 PKG. USED) (SUB. ONE AR77747 AND THE BEARING OF THE REQUIRED SIZE)
	AR 73276	(XXXXX - XXXXX)	WASHER, THRUST, MAIN BEARING, .007" (0.18MM) OVERSIZE FLANGE (PKG. OF THREE R60484) (1 PKG. USED) (SUB. ONE AR77753 AND THE BEARING OF THE REQUIRED SIZE)
3	AR 72998	(XXXXX - XXXXX)	BEARING, MAIN THRUST, STANDARD SIZE (PKG. OF ONE R57779 AND ONE R57780) (1 PKG. USED) (SUB. ONE AR77748 AND ONE AR77747 OR ONE AR77753)
	AR 73271	(XXXXX - XXXXX)	BEARING, MAIN THRUST, .002" (0.05MM) UNDERSIZE (PKG. OF ONE R60476 AND ONE R60477) (1 PKG. USED) (SUB. ONE AR77749 AND ONE AR77747 OR ONE AR77753)
	AR 73272	(XXXXX - XXXXX)	BEARING, MAIN THRUST, .010" (0.24MM) UNDERSIZE (PKG. OF ONE R60478 AND ONE R60479) (1 PKG. USED) (SUB. ONE AR77750 AND ONE AR77747 OR ONE AR77753)
	AR 73273	(XXXXX - XXXXX)	BEARING, MAIN THRUST, .020" (0.51MM) UNDERSIZE (PKG. OF ONE R60480 AND ONE R60481) (1 PKG. USED) (SUB. ONE AR77751 AND ONE AR77747 OR ONE AR77753)
	AR 73274	(XXXXX - XXXXX)	BEARING, MAIN THRUST, .030" (0.76MM) UNDERSIZE (PKG. OF ONE R60482 AND ONE R60483) (1 PKG. USED) (SUB. ONE AR77752 AND ONE AR77753)
4	(-)	NOT FURNISHED, MATCH WITH BLOCK
5	T 15539	(-)	SCREW, SPECIAL CAP (14 USED)
6	AR 77747	(444688 -)	WASHER, THRUST, MAIN BEARING (PKG. OF THREE R62986) (1 PKG. USED)
	AR 77753	(444688 -)	WASHER, THRUST, MAIN BEARING, .007" (0.18MM) OVERSIZE FLANGE (PKG. OF TWO R63010 AND R62986) (1 PKG. USED)

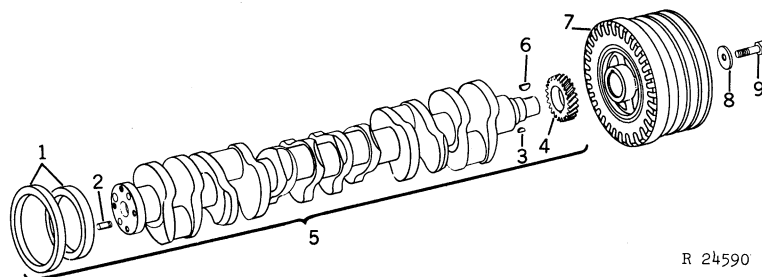
THIS PARTS LISTING IS CONTINUED
 OEM ENGINES AND ACCESSORIES - 6404D, 6404T, AND 6404A PC-1554 (10-DEC-76) LITHO IN U.S.A.

MAIN AND MAIN THRUST BEARINGS - CONTINUED

KEY	PART NO.	ENGINE SERIAL NO.	DESCRIPTION
7	AR 77748	(444688 -)	BEARING, MAIN THRUST, STANDARD SIZE (PKG. OF ONE R62987 AND ONE R62988) (1 PKG. USED)
	AR 77749	(444688 -)	BEARING, MAIN THRUST, .002" (0.08MM) UNDERSIZE (PKG. OF ONE R63002 AND ONE R63006) (1 PKG. USED)
	AR 77750	(444688 -)	BEARING, MAIN THRUST, .010" (0.24MM) UNDERSIZE (PKG. OF ONE R63003 AND ONE R63007) (1 PKG. USED)
	AR 77751	(444688 -)	BEARING, MAIN THRUST, .020" (0.51MM) UNDERSIZE (PKG. OF ONE R63004 AND ONE R63008) (1 PKG. USED)
	AR 77752	(444688 -)	BEARING, MAIN THRUST, .030" (0.76MM) UNDERSIZE (PKG. OF ONE R63005 AND ONE R63009) (1 PKG. USED)
8	AR 74814	(-)	BEARING, MAIN (PKG. OF ONE R61289 AND R57584) (6 PKG. USED) (SUB. FOR AR44625)
	AR 74815	(-)	BEARING, MAIN, .002" (0.05MM) UNDERSIZE (PKG. OF ONE R61608 AND ONE R60472) (6 PKGS. USED) (SUB. FOR AR46399)
	AR 74816	(-)	BEARING, MAIN, .010" (0.25MM) UNDERSIZE (PKG. OF ONE R61609 AND ONE R60473) (6 PKGS. USED) (SUB. FOR AR46400)
	AR 74817	(-)	BEARING, MAIN, .020" (0.51MM) UNDERSIZE (PKG. OF ONE R61610 AND ONE R60474) (6 PKGS. USED) (SUB. FOR AR46401)
	AR 74818	(-)	BEARING, MAIN, .030" (0.76MM) UNDERSIZE (PKG. OF ONE R61611 AND ONE R60475) (6 PKGS. USED) (SUB. FOR AR46402)

**CRANKSHAFT
(6404D, T)**

R24590

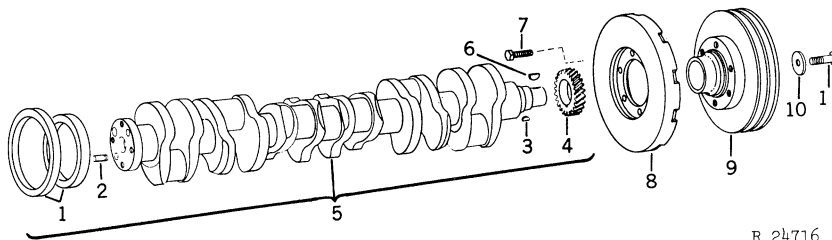


R 24590

KEY	PART NO.	ENGINE SERIAL NO.	DESCRIPTION
I 1	AR 63095	(-)	SEAL, OIL, WITH WEAR SLEEVE (SUB. FOR AR49650)
2	R 41934	(-)	PIN, DOWEL
3	26H 9	(-)	KEY, WOODRUFF, 1/8" X 5/8"
4	R 26049	(-)	GEAR, CRANKSHAFT
I 5	AR 74624	(-)	CRANKSHAFT, WITH GEAR, REAR OIL SLINGER AND PINS (MARKED R56934 AND R56979) (SUB. FOR AR68094)
6	26H 85	(-)	KEY, WOODRUFF, 1/4" X 1"
7	AR 57241	(-)	DAMPER
8	R 26333	(-)	WASHER
9	19H 1734	(-)	SCREW, CAP, 5/8" X 2"

CRANKSHAFT (6404A)

R24716

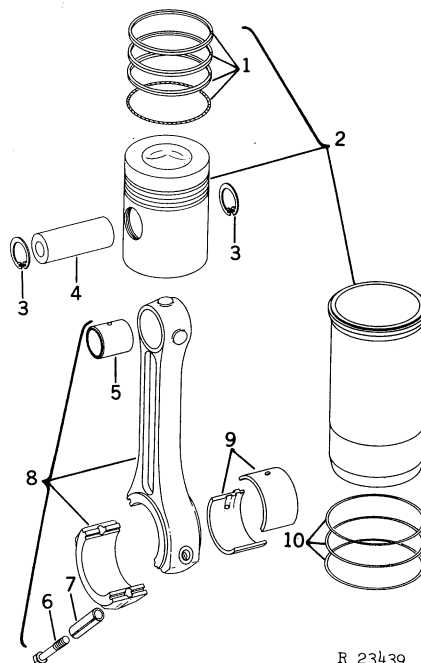


R 24716

KEY	PART NO.	ENGINE SERIAL NO.	DESCRIPTION
I 1	AR 63095	(-)	SEAL, OIL, WITH WEAR SLEEVE (SUB. FOR AR49650)
2	R 41934	(-)	PIN, DOWEL
3	26H 9	(-)	KEY, WOODRUFF, 1/8" X 5/8"
4	R 26049	(-)	GEAR, CRANKSHAFT
I 5	AR 74624	(-)	CRANKSHAFT, WITH GEAR, REAR OIL SLINGER AND PINS (MARKED R56934 AND R56979) (SUB. FOR AR68094)
6	26H 85	(-)	KEY, WOODRUFF, 1/4" X 1"
7	19H 988	(-)	SCREW, CAP, 3/8" X 1-1/4" (6 USED)
8	R 50414	(-)	PULLEY, CRANKSHAFT
9	AR 43954	(-)	DAMPER
10	R 26333	(-)	WASHER
11	19H 1734	(-)	SCREW, CAP, 5/8" X 2"

PISTON, RING AND LINERS (6404D)

R23439

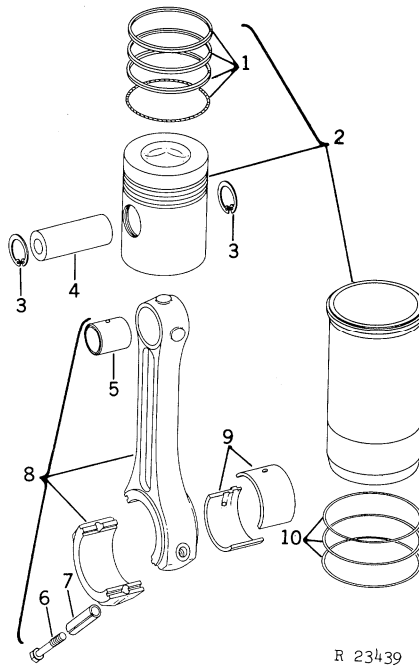


R 23439

KEY	PART NO.	ENGINE SERIAL NO.	DESCRIPTION
1	AR 65502	(-)	RING, PISTON SET (6 USED)
2	AR 65602	(-)	PISTON WITH RING AND LINER
	AR 66459	(-)	KIT, PISTON WITH RINGS, LINERS AND GASKET SET (6 USED)
3	H 80753	(-)	RING, SNAP (12 USED)
4	R 44161	(-)	PIN, PISTON, STANDARD (6 USED)
	R 44162	(-)	PIN, PISTON, .003" (0.08MM) (MARKED WITH YELLOW) (6 USED)
	R 44163	(-)	PIN, PISTON, .005" (0.13MM) (MARKED WITH GREEN) (6 USED)
5	R 30939	(-)	BUSHING, PISTON PIN (6 USED)
6	R 53290	(-)	SCREW, CONNECTING ROD (8 USED) (SUB. FOR R26325)
7	R 53292	(414913 -)	SLEEVE (12 USED) (USE WITH AR70910)
8	AR 26328	(- 414912)	ROD, CONNECTING, WITH PISTON PIN BUSHING ONLY (6 USED) (SUB. AR70910)
	AR 70910	(414913 -)	ROD, CONNECTING, WITH PISTON PIN BUSHING, SCREW AND SLEEVE (MARKED R58880) (6 USED)
9	AR 45723	(-)	BEARING, CONNECTING ROD, STANDARD (PKG. OF TWO R44378) (6 PKGS. USED)
	AR 46395	(-)	BEARING, CONNECTING ROD, .002" (0.05MM) UNDERSIZE (PKG. OF TWO R44925) (6 PKGS. USED)
	AR 46396	(-)	BEARING, CONNECTING ROD, .010" (0.25MM) UNDERSIZE (PKG. OF TWO R44926) (6 PKGS. USED)
	AR 46397	(-)	BEARING, CONNECTING ROD, .020" (0.51MM) UNDERSIZE (PKG. OF TWO R44927) (6 PKGS. USED)
	AR 46398	(-)	BEARING, CONNECTING ROD, .030" (0.76MM) UNDERSIZE (PKG. OF TWO R44928) (6 PKGS. USED)
10	AR 65507	(-)	KIT, PACKING (6 USED) (SUB. FOR AR53443)

**PISTON, RINGS, AND LINER
(6404A, T)**

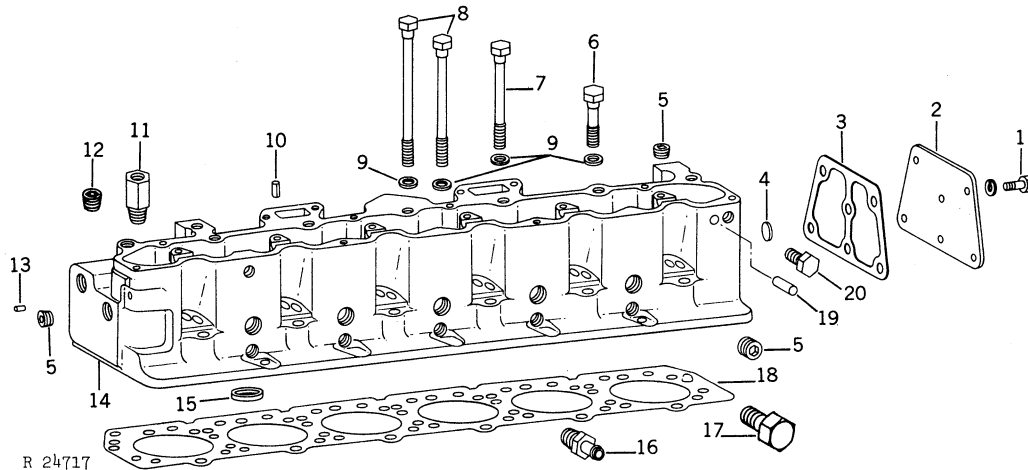
R23439



KEY	PART NO.	ENGINE SERIAL NO.	DESCRIPTION
1	AR 51741	(-)	SET, RING, PISTON (6 USED)
2	AR 63272	(-)	PISTON WITH RINGS AND LINER (MARKED AR54552) (6 USED)
3	R 54114	(-)	RING, SNAP (12 USED)
4	R 41425	(-)	PIN, PISTON, STANDARD (6 USED)
	R 54263	(-)	PIN, PISTON, .003" (0.08MM) OVERSIZE (MARKED WITH YELLOW) (6 USED) (SUB. FOR R42714)
	R 54264	(-)	PIN, PISTON, .005" (0.13MM) OVERSIZE (MARKED WITH RED) (6 USED) (SUB. FOR R42175)
5	R 42173	(-)	BUSHING, PISTON PIN (6 USED)
6	R 53290	(-)	SCREW, CONNECTING ROD (12 USED) (SUB. FOR R26325)
7	R 53292	(414686 -)	SLEEVE (12 USED) (USE WITH AR70912 ROD)
I 8	AR 41056	(- 414685)	ROD, CONNECTING, WITH PISTON PIN BUSHING ONLY (MARKED R41423) (6 USED) (SUB. AR70912)
	AR 70912	(414686 -)	ROD, CONNECTING, WITH PISTON PIN BUSHING, SCREW, AND SLEEVE (MARKED R58882) (6 USED)
9	AR 45723	(-)	BEARING, CONNECTING ROD, STANDARD (PKG. OF TWO R44378) (6 PKGS. USED)
	AR 46395	(-)	BEARING, CONNECTING ROD, .002" (0.05MM) UNDERSIZE (PKG. OF TWO R44925) (6 PKGS. USED)
	AR 46396	(-)	BEARING, CONNECTING ROD, .010" (0.25MM) UNDERSIZE (PKG. OF TWO R44926) (6 PKGS. USED)
	AR 46397	(-)	BEARING, CONNECTING ROD, .020" (0.51MM) UNDERSIZE (PKG. OF TWO R44927) (6 PKGS. USED)
	AR 46398	(-)	BEARING, CONNECTING ROD, .030" (0.76MM) UNDERSIZE (PKG. OF TWO R44928) (6 PKGS. USED)
10	AR 65507	(-)	KIT, PACKING (6 USED) (SUB. FOR AR53443)

CYLINDER HEAD AND GASKET

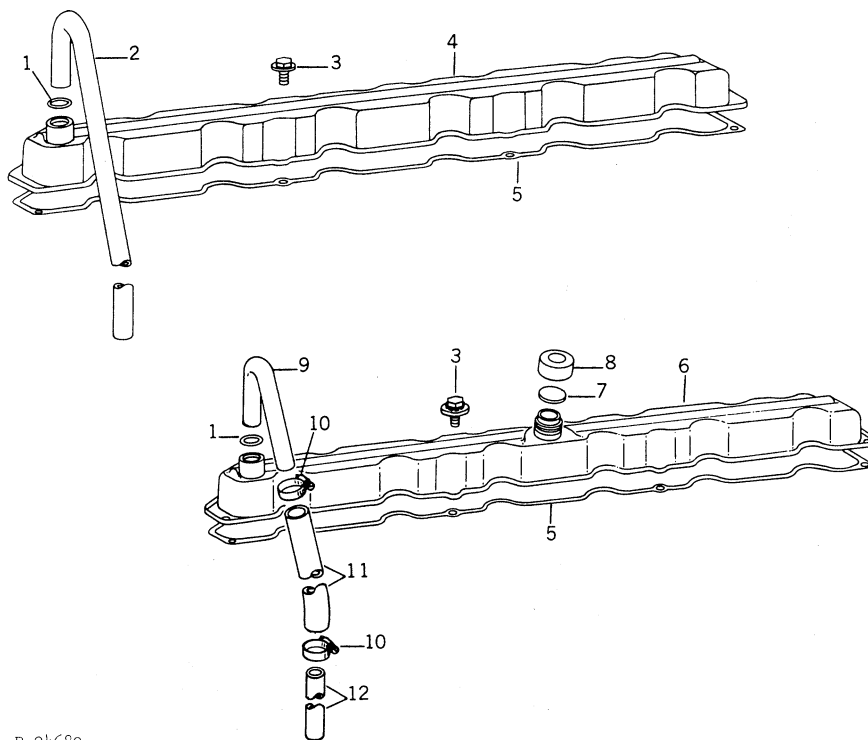
R24717



KEY	PART NO.	ENGINE SERIAL NO.	DESCRIPTION
1	19H 2284	(-)	SCREW, CAP, 3/8" X 7/8" (6 USED)
	12H 331	(-)	WASHER, LOCK, INT. TOOTH, 3/8" (6 USED)
2	R 51347	(-)	COVER
3	R 43595	(-)	GASKET
4	30H 37	(-)	PLUG, EXPANSION
5	15H 665	(-)	PLUG, PIPE, HEX. CTSK., 3/4" (13 USED)
I 6	R 62421	(-)	SCREW, CYLINDER HEAD, 9/16" X 3-3/8" (6 USED) (SUB. FOR R45195)
I 7	R 62418	(-)	SCREW, CYLINDER HEAD, 9/16" X 5-3/8" (5 USED) (SUB. FOR R45192)
I 8	R 62419	(-)	SCREW, CYLINDER HEAD, 9/16" X 6-3/8" (8 USED) (SUB. FOR R45193)
I 9	R 62420	(-)	SCREW, CYLINDER HEAD, 9/16" X 7-1/2" (7 USED) (SUB. FOR R45194)
	R 42364	(-)	WASHER (26 USED)
10	34H 387	(-)	PIN, SPRING, 3/16" X 3/4"
11	R 41285	(-)	CONNECTOR (6404D)
12	15H 624	(-)	PLUG, PIPE, 1/2" (6404A, T)
13	F 1743 R	(-)	PIN, DOWEL
I 14	AR 58984	(- 499999)	HEAD, CYLINDER, WITH DOWEL PINS AND PLUGS (MARKED R50360) (6404D)
I	AR 72249	(500000 -)	HEAD, CYLINDER, WITH DOWEL PINS AND PLUGS (MARKED R59849) (6404D)
I	AR 54554	(- 445569)	HEAD, CYLINDER, WITH DOWEL PINS AND PLUGS (MARKED R53200) (6404A, T)
I	AR 70564	(445570 -)	HEAD, CYLINDER, WITH DOWEL PINS AND PLUGS (MARKED R61521) (6404A, T)
15	R 43681	(-)	INSERT, EXHAUST VALVE SEAT, REGULAR (6 USED) (USE WHEN REQUIRED) (6404D)
	R 43683	(-)	INSERT, EXHAUST VALVE SEAT, .010" (0.25MM) OVERSIZE (6 USED) (USE WHEN REQUIRED) (6404D)
	R 43680	(-)	INSERT, INTAKE VALVE SEAT, REGULAR (6 USED) (USE WHEN REQUIRED) (6404D)
	R 43682	(-)	INSERT, INTAKE VALVE SEAT, .010" (0.25MM) OVERSIZE (6 USED) (USE WHEN REQUIRED) (6404D)
	R 50356	(-)	INSERT, VALVE SEAT, REGULAR (12 USED) (USE WHEN REQUIRED) (6404A, T)
	R 55061	(-)	INSERT, VALVE SEAT, .010" (0.25MM) OVERSIZE (6 USED) (USE WHEN REQUIRED) (6404A, T)
16	R 41071	(-)	CONNECTOR, SPECIAL (6404D)
17	R 45692	(-)	SCREW, SPECIAL CAP REAR R.H.
18	R 48291	(-)	GASKET, CYLINDER HEAD
19	R 20423	(-)	PIN, DOWEL
20	R 45693	(-)	SCREW, SPECIAL CAP LIFT STRAP (2 USED)
	R 45692	(-)	SCREW, SPECIAL CAP
..	AR 63940	(-)	SET, GASKET, CYLINDER HEAD REPLACEMENT (6404D) (FOR CONTENTS SEE PAGE 10-5)
..	AR 63270	(-)	SET, GASKET, CYLINDER HEAD REPLACEMENT (6404A, T) (FOR CONTENTS SEE PAGE 10-6 AND 10-7)

ROCKER ARM COVER
CODE 1101 ROCKER ARM COVER, CENTER FILL
CODE 1102 ROCKER ARM COVER, NO FILL

R24682

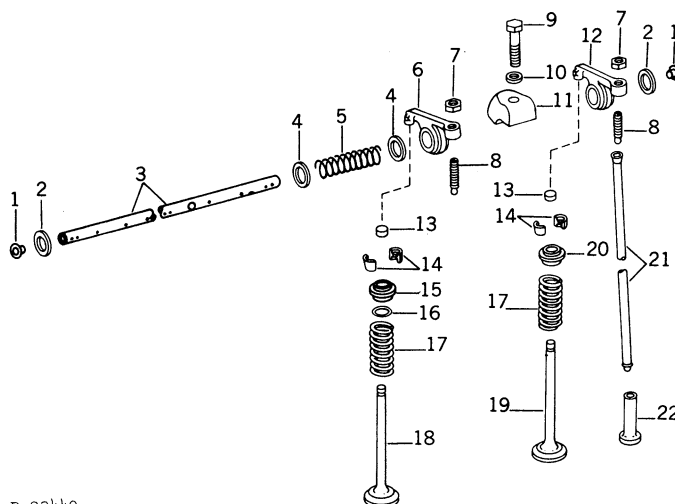


R 24682

KEY	PART NO.	ENGINE SERIAL NO.	CODE	DESCRIPTION
1	R 495 R	(-)		O-RING
2	R 26405	(-)		TUBE, VENTILATOR OUTLET
3	AR 45530	(-)		SCREW, SPECIAL CAP, WITH WASHERS (8 USED)
4	AR 26516	(-)	1102	COVER WITH BUSHING AND BAFFLE
5	R 32593	(-)		GASKET
6	AR 47943	(-)	1101	COVER WITH BUSHING AND BAFFLE
7	T 20328	(-)	1101	GASKET
8	T 20294	(-)	1101	CAP
9	R 50387	(-)		TUBE, VENTILATOR OUTLET (UPPER)
10	AR 21839	(-)		CLAMP, HOSE (2 USED)
11	R 50389	(-)		HOSE, 3/4" X 24" (19MM X 610MM) POLYVINYL
12	R 50388	(-)		TUBE, VENTILATOR OUTLET (LOWER)

ROCKER ARMS, SHAFTS AND VALVES

R23440



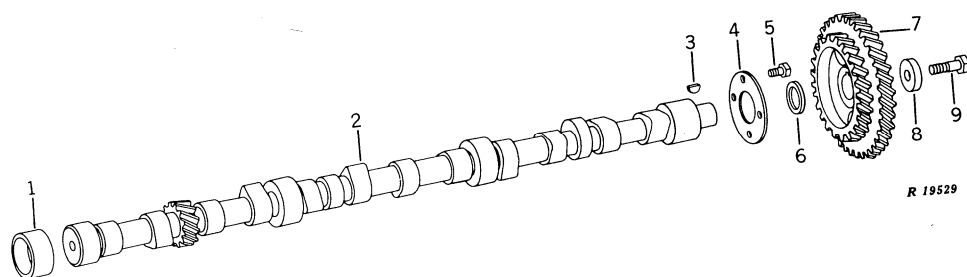
R 23440

KEY	PART NO.	ENGINE SERIAL NO.	DESCRIPTION
1	R 54565	(-)	PLUG (2 USED)
2	R 26081	(-)	WASHER, SPRING (2 USED)
3	R 60650	(-)	SHAFT, ROCKER ARM (ALSO ORDER TWO R54565 PLUGS)
4	24H 1384	(-)	WASHER, 49/64" X 1-11/16" X .036" (10 USED)
5	R 26079	(-)	SPRING (5 USED)
6	AR 54905	(-)	ARM, ROCKER, WITH ADJUSTING SCREW AND NUT (6 USED)
7	14H 846	(-)	NUT, 3/8" (12 USED)
8	R 27443	(-)	SCREW, ADJUSTING (12 USED)
9	19H 1740	(-)	SCREW, CAP, 7/16" X 1-3/4" (6 USED)
10	R 26559	(-)	WASHER (6 USED)
11	R 26748	(-)	CLAMP (6 USED)
12	AR 54904	(-)	ARM, ROCKER, WITH ADJUSTING SCREW AND NUT (6 USED)
13	T 20129	(-)	CAP, VALVE STEM (12 USED)
14	T 20077	(-)	LOCK, RETAINER (24 USED)
15	R 41412	(-)	CAP, INTAKE VALVE SPRING (6 USED 6404D)
16	R 27976	(-)	O-RING (6 USED 6404D)
17	R 26125	(-)	SPRING, VALVE
18	R 43883	(-)	VALVE, INTAKE, STANDARD STEM (6 USED 6404D)
	R 45003	(-)	VALVE, INTAKE, .003" (0.08MM) OVERSIZE STEM (6 USED 6404D)
	R 45004	(-)	VALVE, INTAKE, .015" (0.38MM) OVERSIZE STEM (6 USED 6404D)
	R 45005	(-)	VALVE, INTAKE, .030" (0.76MM) OVERSIZE STEM (6 USED 6404D)
	R 50358	(-)	VALVE, INTAKE, STANDARD SIZE (6 USED 6404A, T)
	R 55055	(-)	VALVE, INTAKE, .003" (0.08MM) OVERSIZE (6 USED 6404A, T)
	R 55057	(-)	VALVE, INTAKE, .015" (0.38MM) OVERSIZE (6 USED 6404A, T)
	R 55059	(-)	VALVE, INTAKE, .030" (0.76MM) OVERSIZE (6 USED 6404A, T)

ROCKER ARMS, SHAFTS AND VALVES - CONTINUED

KEY	PART NO.	ENGINE SERIAL NO.	DESCRIPTION
19	R 43679	(-)	VALVE, EXHAUST, STANDARD STEM (6 USED 6404D)
	R 43787	(-)	VALVE, EXHAUST, .003" (0.08MM) OVERSIZE STEM (6 USED 6404D)
	R 43788	(-)	VALVE, EXHAUST, .015" (0.38MM) OVERSIZE STEM (6 USED 6404D)
	R 43789	(-)	VALVE, EXHAUST, .030" (0.76MM) OVERSIZE STEM (6 USED 6404D)
	R 50357	(-)	VALVE, EXHAUST, STANDARD SIZE (6 USED 6404A, T)
	R 55056	(-)	VALVE, EXHAUST, .003" (0.08MM) OVERSIZE (6 USED 6404A, T)
	R 55058	(-)	VALVE, EXHAUST, .015" (0.38MM) OVERSIZE (6 USED 6404A, T)
	R 55060	(-)	VALVE, EXHAUST, .030" (0.76MM) OVERSIZE (6 USED 6404A, T)
20	AR 41006	(-)	ROTATOR, EXHAUST VALVE (6 USED 6404D) (12 USED 6404A, T)
21	AR 40680	(-)	ROD, PUSH (12 USED 6404)
22	R 52773	(-)	FOLLOWER, CAM (12 USED 6404)
..	AR 44402	(-)	LUBRICANT, SPECIAL, VALVE STEM AND VALVE GUIDE, ONE QUART (0.9L)

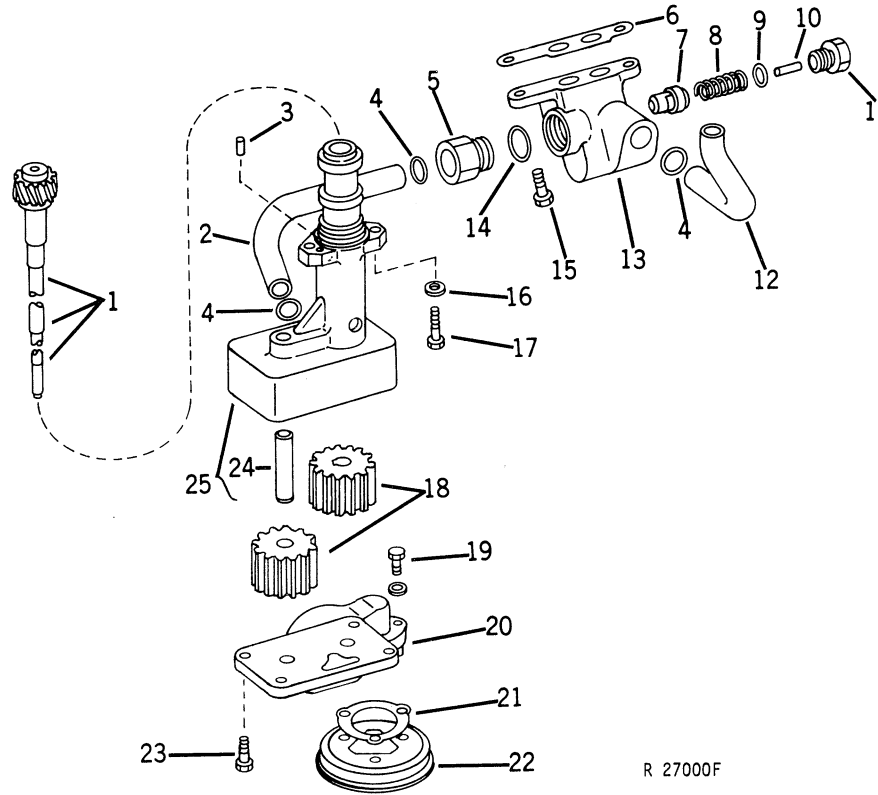
CAMSHAFT AND GEAR



KEY	PART NO.	ENGINE SERIAL NO.	DESCRIPTION
1	R 46903	(-)	BUSHING (4 USED)
2	AR 74144	(-)	CAMSHAFT WITH TWELVE CAM FOLLOWERS (MARKED R61150) (ALSO ORDER 19H1777 AND 19H1821) (SUB. FOR AR71709)
3	26H 72	(-)	KEY, WOODRUFF, 1/8" X 5/8"
4	R 42355	(-)	PLATE, THRUST
5	19H 1813	(-)	SCREW, CAP, 5/16" X 5/8" (4 USED)
6	R 42356	(-)	SPACER
7	AR 55487	(-)	GEAR, CAMSHAFT AND INJECTION PUMP DRIVE (MATCHED SET)
8	R 35256	(-)	WASHER, SPECIAL
9	19H 1777	(-)	SCREW, CAP, 1/2" X 1-3/4"

ENGINE OIL PUMP AND OIL COOLER BYPASS VALVE

R27000F

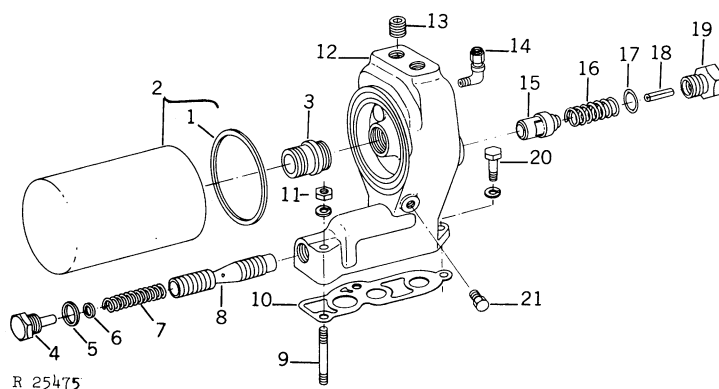


R 27000F

KEY	PART NO.	ENGINE SERIAL NO.	DESCRIPTION
1	R 45133	(-)	GEAR, OIL PUMP DRIVE WITH SHAFT (SUB. FOR R48398)
2	R 50381	(-)	TUBE, BYPASS HOUSING TO OIL PUMP
3	H 826 R	(-)	PIN, DOWEL
4	R 50378	(-)	O-RING (4 USED)
5	R 50379	(-)	NUT, GLAND
6	R 65055	(-)	GASKET
7	R 49464	(-)	VALVE
8	R 26151	(-)	SPRING
9	U 17409	(-)	O-RING
10	34H 313	(-)	PIN, SPRING, 1/4" X 1-1/2"
11	R 49465	(-)	PLUG
12	R 50386	(-)	TUBE, BYPASS HOUSING TO CYLINDER BLOCK
13	R 50384	(-)	HOUSING, OIL COOLER BYPASS
14	U 13639	(-)	O-RING
15	R 40236	(-)	SCREW, SPECIAL (2 USED)
16	R 42729	(-)	WASHER, SPECIAL (2 USED)
17	AR 63865	* XXXXX	KIT, ENGINE OIL PUMP HOUSING, SCREWS AND WASHERS (SUB. AR71121)
	R 38614	* XXXXX	SCREW, SPECIAL CAP (2 USED)
18	AR 71123	(-)	GEARS, DRIVEN AND IDLER (SUB. FOR AR52570)
19	19H 1905	(-)	SCREW, CAP, 5/16" X 1" (3 USED)
	12H 303	(-)	WASHER, LOCK, 5/16" (3 USED)
20	R 60754	(-)	COVER, OIL PUMP HOUSING (SUB. FOR R52048)
21	R 52049	(-)	GASKET
22	AR 56639	(-)	INTAKE, OIL PUMP
23	R 46567	(-)	SCREW, SPECIAL CAP (4 USED)
24	R 42390	(-)	SHAFT, OIL PUMP IDLER GEAR
25	AR 77494	(-)	HOUSING, OIL PUMP WITH SHAFT (MARKED R50377, R56607, R59033 OR R57556) (SUB. FOR AR54559, AR68313 OR AR71122)

* KIT LISTED BELOW CONTAINS THE COMPLETE ENGINE OIL PUMP AND ALL PARTS FOLLOWED BY AN ASTERISK
 .. AR 75893 (-) PUMP, ENGINE OIL ASSEMBLY, WITH SCREWS

ENGINE OIL FILTER

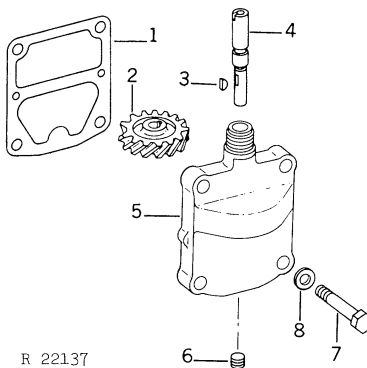


R 25475

KEY	PART NO.	ENGINE SERIAL NO.	DESCRIPTION
1	R 43660	(-)	PACKING
2	AR 43634	(-)	FILTER, ENGINE OIL
3	R 43429	(-)	ADAPTER, OIL FILTER
4	R 43425	(-)	PLUG
	R 43549	(-)	WASHER, SPECIAL (3 USED)
5	R 43424	(-)	WASHER, ALUMINUM
6	U 40750	(-)	WASHER (USE AS REQUIRED)
7	R 43548	(-)	SPRING
8	R 43428	(-)	VALVE, OIL PRESSURE REGULATING
9	R 55395	(-)	STUD, 3/8" X 3-5/8"
	F 3646	(-)	STUD, 3/8" X 3"
10	R 43774	(-)	GASKET
11	14H 812	(-)	NUT, 3/8" (2 USED)
	12H 304	(-)	WASHER, LOCK, 3/8" (2 USED)
I 12	AR 76582	(-)	BODY, ENGINE OIL FILTER (MARKED R54561, R59483 OR R62110) (SUB. FOR AR64221 OR AR71819)
13	15H 665	(-)	PLUG, PIPE, HEX. CTSK., 3/4" (2 USED)
I 14	15H 558	(445570 - 445569)	PLUG, PIPE, HEX. CTSK., 1/8"
I	R 62109	(-)	ELBOW, 90°, 1/8"
	R 49464	(-)	VALVE, OIL FILTER BYPASS
15	R 26151	(-)	SPRING, OIL FILTER BYPASS VALVE
16	R 26151	(-)	SPRING, OIL FILTER BYPASS VALVE
17	U 17409	(-)	O-RING
18	34H 313	(-)	PIN, SPRING, 1/4" X 1-1/8"
19	R 49465	(-)	PLUG
20	19H 988	(-)	SCREW, CAP, 3/8" X 1-1/4"
	12H 304	(-)	WASHER, LOCK, 3/8"
21	R 55233	(-)	PLUG, SPECIAL PIPE

SPEED-HOUR METER DRIVE

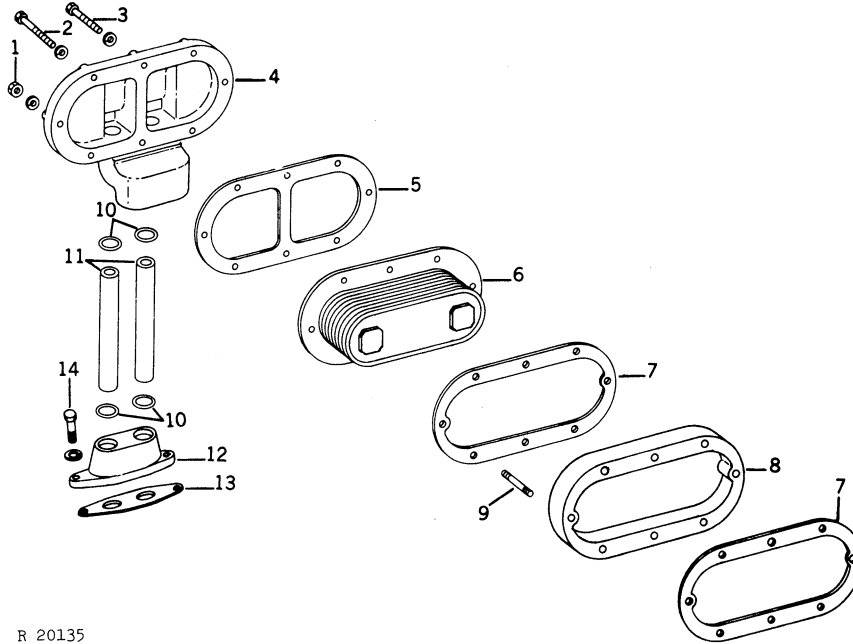
R22137



KEY	PART NO.	ENGINE SERIAL NO.	DESCRIPTION
1	R 62410	(-)	GASKET (SUB. FOR R44853)
2	R 32426	(-)	GEAR, SPEED-HOUR METER DRIVE
3	26H 3	(-)	KEY, WOODRUFF, 3/32" X 3/8"
4	R 26172	(-)	SHAFT, SPEED-HOUR METER DRIVE
5	R 43851	(-)	HOUSING, SPEED-HOUR METER DRIVE (SUB. FOR AR43652)
6	15H 559	(-)	PLUG, PIPE, HEX. CTSK., 1/4"
7	19H 1732	(-)	SCREW, CAP, 3/8" X 1-1/4" (4 USED)
8	24H 1303	(-)	WASHER, 13/32" X 11/16" X .060" (4 USED)

ENGINE OIL COOLER

R20135

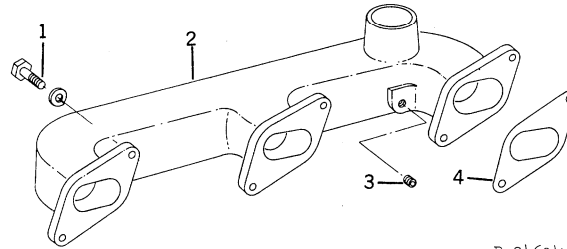


R 20135

KEY	PART NO.	ENGINE SERIAL NO.	DESCRIPTION
1	14H 785	(-)	NUT, 5/16" (2 USED)
	12H 303	(-)	WASHER, LOCK, 5/16" (2 USED)
2	19H 1921	(-)	SCREW, CAP, 5/16" X 3-1/4"
	12H 303	(-)	WASHER, LOCK, 5/16"
3	19H 1907	(-)	SCREW, CAP, 5/16" X 2-3/4" (5 USED)
	12H 303	(-)	WASHER, LOCK, 5/16" (5 USED)
4	R 50421	(-)	COVER, OIL COOLER (6404A)
	R 51283	(-)	COVER, OIL COOLER (6404D, T)
5	R 50419	(-)	GASKET
6	AT 25038	(-)	COOLER, OIL (6404A)
	AR 55394	(-)	COOLER, OIL (6404D, T)
7	AR 58952	(-)	GASKET (2 USED 6404A) (1 USED 6404D, T)
8	R 50418	(-)	SPACER (6404A)
9	R 50375	(-)	STUD, 5/16" X 3" (2 USED) (6404A)
	R 51284	(-)	STUD, 5/16" X 1-3/4" (2 USED) (6404D, T)
10	R 50420	(-)	O-RING (4 USED)
11	R 50422	(-)	TUBE (2 USED) (6404A)
	R 51053	(-)	TUBE (2 USED) (6404D, T)
12	R 50423	(-)	ADAPTER
13	R 50424	(-)	GASKET
14	19H 988	(-)	SCREW, CAP, 3/8" X 1-1/4" (2 USED)
	12H 304	(-)	WASHER, LOCK, 3/8" (2 USED)

**INTAKE MANIFOLD
(6404D)**

R24604

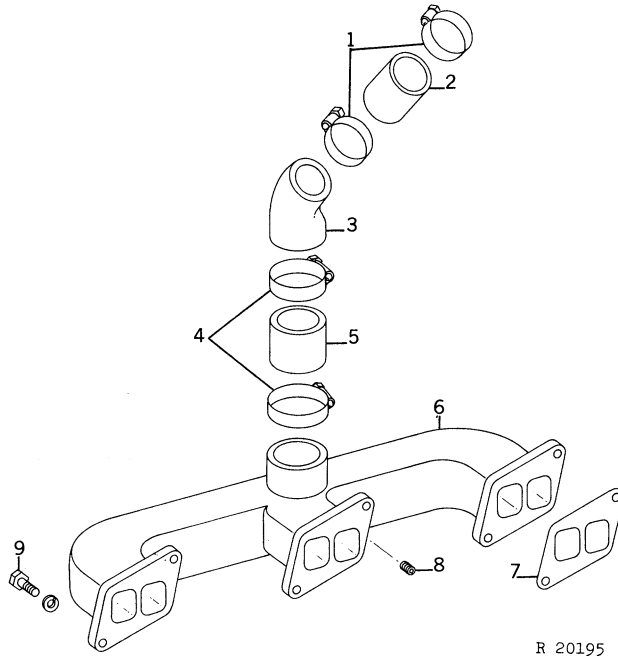


R 24604

KEY	PART NO.	ENGINE SERIAL NO.	DESCRIPTION
1	19H 1732 12H 304	(-)	SCREW, CAP, 3/8" X 1-1/4" (6 USED)
2	R 46411	(-)	WASHER, LOCK, 3/8" (6 USED)
3	15H 571	(-)	MANIFOLD, INTAKE
4	R 26297	(-)	PLUG, PIPE, HEX. CTSK., 3/8" (TRACTORS LESS STARTING AID)
		(-)	GASKET, INTAKE MANIFOLD (3 USED)

**INTAKE MANIFOLD
(6404T)
(ENGINE SERIAL NO. -512305)**

R20195

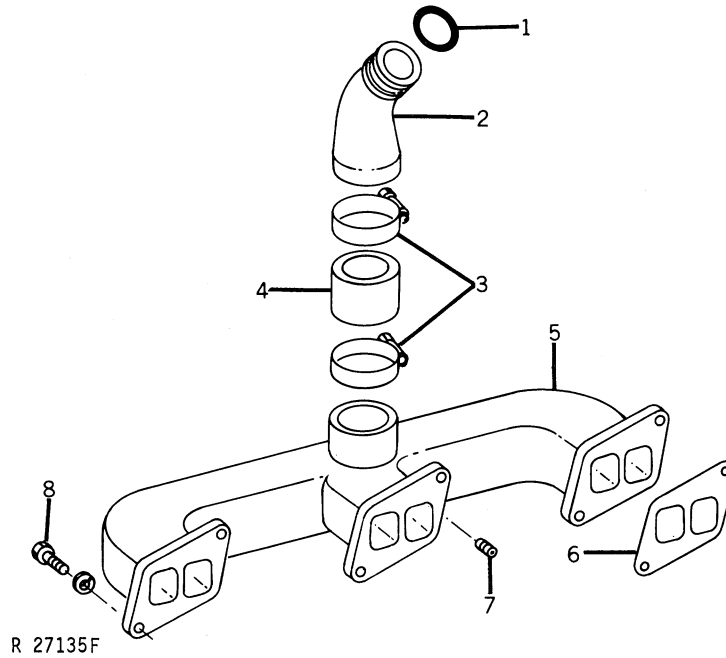


R 20195

KEY	PART NO.	ENGINE SERIAL NO.	DESCRIPTION
1	AR 65293	(-)	CLAMP, HOSE (2 USED)
2	R 43604	(-)	HOSE
3	R 47293	(-)	PIPE, AIR INLET
4	AR 62936	(-)	CLAMP, HOSE (2 USED) (SUB. FOR AR48502)
5	R 43605	(-)	HOSE
6	R 52288	(-)	MANIFOLD, INTAKE
7	R 50397	(-)	GASKET (3 USED)
8	15H 571	(-)	PLUG, PIPE, HEX. CTSK., 3/8"
9	19H 1732	(-)	SCREW, CAP, 3/8" X 1-1/4" (6 USED)
	12H 304	(-)	WASHER, LOCK, 3/8" (6 USED)

INTAKE MANIFOLD
(ENGINE SERIAL NO. 512306-)

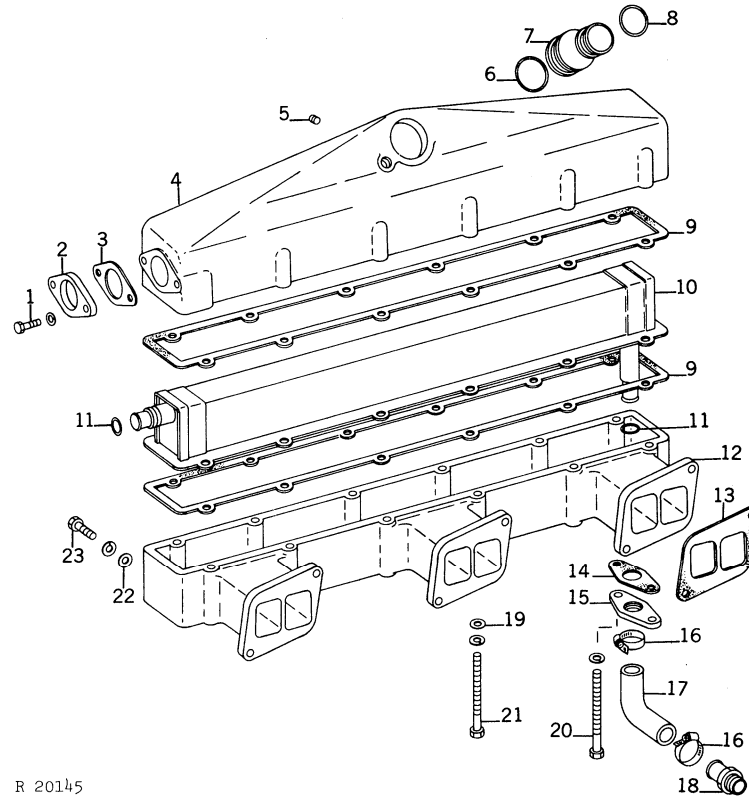
R27135F



KEY	PART NO.	ENGINE SERIAL NO.	DESCRIPTION
1	R 50406	(-)	O-RING
2	R 63129	(-)	COUPLING, AIR INTAKE
3	AR 62936	(-)	CLAMP, HOSE (2 USED)
4	R 43605	(-)	HOSE, 3" X 2" (76MM X 51MM)
5	R 52288	(-)	MANIFOLD, INTAKE
6	R 50397	(-)	GASKET (3 USED)
7	15H 571	(-)	PLUG, PIPE, HEX. CTSK., 3/8"
8	19H 1732	(-)	SCREW, CAP, 3/8" X 1-1/4" (6 USED)
	12H 304	(-)	WASHER, LOCK, 3/8" (6 USED)

**INTERCOOLER AND INTAKE MANIFOLD
(6404A)**

R20145

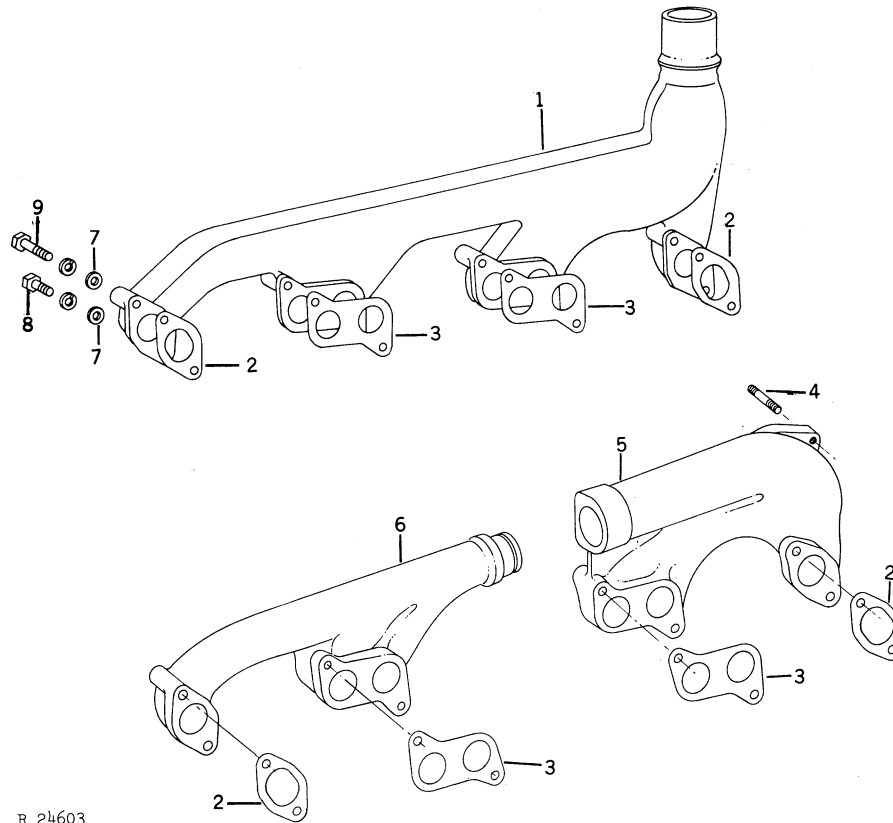


R 20145

KEY	PART NO.	ENGINE SERIAL NO.	DESCRIPTION
1	19H 2661	(-)	SCREW, CAP, 5/16" X 1-3/8" (2 USED)
	12H 303	(-)	WASHER, LOCK, 5/16" (2 USED)
2	R 47314	(-)	ADAPTER, REAR
3	R 47395	(-)	GASKET
4	R 50398	(-)	COVER, INTAKE MANIFOLD
5	15H 571	(-)	PLUG, PIPE, 3/8"
6	R 50405	(-)	O-RING
7	R 50404	(-)	COUPLING
8	R 50406	(-)	O-RING
9	R 50399	(-)	GASKET (2 USED)
10	AR 54556	(-)	INTERCOOLER
11	R 52811	(-)	O-RING (2 USED)
12	R 50396	(-)	MANIFOLD, INTAKE
13	R 50397	(-)	GASKET (3 USED)
14	R 47395	(-)	GASKET
15	R 50400	(-)	ADAPTER, FRONT
16	AR 21839	(-)	CLAMP, HOSE (2 USED)
17	R 50402	(-)	HOSE
18	R 48362	(-)	CONNECTOR, SPECIAL
19	24H 1136	(-)	WASHER, 11/32" X 11/16" X .060" (10 USED)
20	19H 2729	(-)	SCREW, CAP, 5/16" X 4-1/4" (2 USED)
	12H 303	(-)	WASHER, LOCK, 5/16" (2 USED)
21	19H 2852	(-)	SCREW, CAP, 5/16" X 4" (10 USED)
	12H 303	(-)	WASHER, LOCK, 5/16" (10 USED)
22	24H 1302	(-)	WASHER, 13/32" X 11/16" X .036" (6 USED)
23	19H 1800	(-)	SCREW, CAP, 3/8" X 1-1/2" (6 USED)
	12H 304	(-)	WASHER, LOCK, 3/8" (6 USED)

EXHAUST MANIFOLD
 (6404D)
CODE 2803 EXHAUST MANIFOLD, FRONT VERTICAL
CODE 2806 EXHAUST MANIFOLD, FRONT WITH SIDE OUTLET

R24603

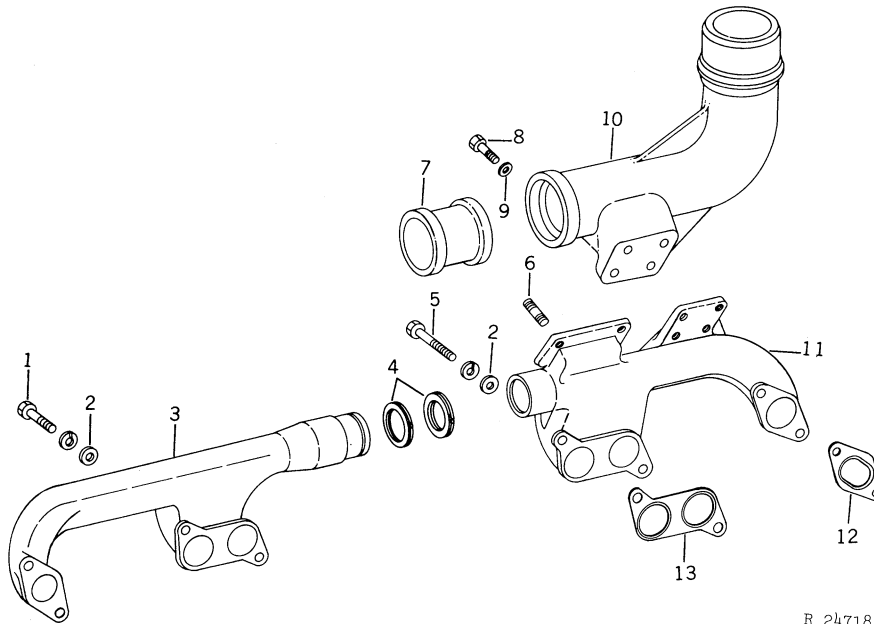


R 24603

KEY	PART NO.	ENGINE SERIAL NO.	CODE	DESCRIPTION
1	R 26362	(-)	2803	MANIFOLD, EXHAUST
2	R 44374	(-)		GASKET, EXHAUST MANIFOLD, OUTER (2 USED)
3	R 44373	(-)		GASKET, EXHAUST MANIFOLD, INNER (2 USED)
4	R 699 R	(-)	2806	STUD, 3/8" X 2-1/2" (3 USED)
5	R 54412	(-)	2806	MANIFOLD, EXHAUST, FRONT
6	R 43167	(-)	2806	MANIFOLD, EXHAUST, REAR
7	24H 1303	(-)		WASHER, 13/32" X 11/16" X .060" (8 USED)
8	19H 1765	(-)		SCREW, CAP, 3/8" X 1-3/4" (4 USED)
	12H 304	(-)		WASHER, LOCK, 3/8" (4 USED)
9	19H 2128	(-)		SCREW, CAP, 3/8" X 3" (4 USED)
	12H 304	(-)		WASHER, LOCK, 3/8" (4 USED)

**EXHAUST MANIFOLD
(6404A, T)**

R24718

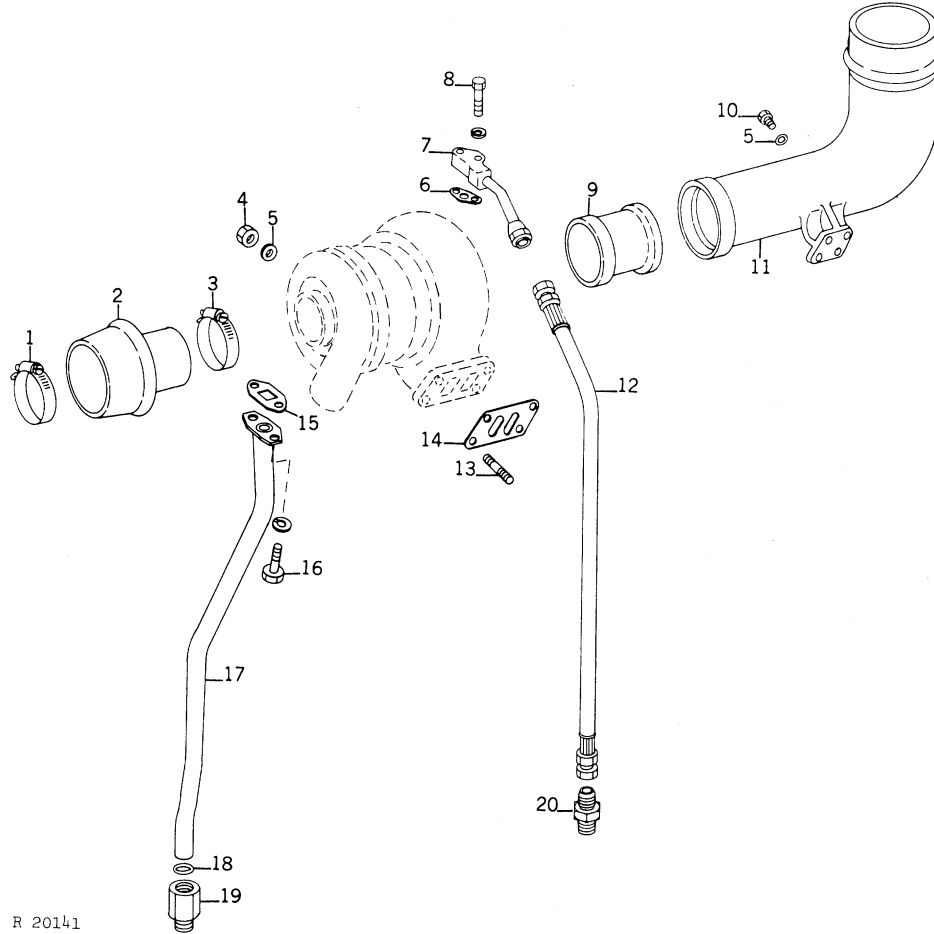


R 24718

KEY	PART NO.	ENGINE SERIAL NO.	DESCRIPTION
1	19H 1765	(-)	SCREW, CAP, 3/8" X 1-3/4" (3 USED)
	19H 2549	(-)	SCREW, CAP, 3/8" X 1-7/8" (LOWER FRONT)
	12H 304	(-)	WASHER, LOCK, 3/8" (4 USED)
2	24H 1303	(-)	WASHER, 13/32" X 11/16" X .060" (8 USED)
3	R 46472	(-)	MANIFOLD, EXHAUST, REAR
4	R 58109	(-)	RING, SEALING (2 USED)
5	19H 2128	(-)	SCREW, CAP, 3/8" X 3" (3 USED)
	19H 2639	(-)	SCREW, CAP, 3/8" X 3-3/8" (UPPER FRONT)
	28H 1518	(-)	SPACER, 3/8" X 5/16" (UPPER FRONT)
	12H 304	(-)	WASHER, LOCK, 3/8" (4 USED)
6	R 55078	(-)	STUD, 3/8" X 1-1/2" (4 USED)
7	R 43724	(-)	ADAPTER, EXHAUST ELBOW
8	R 54500	(-)	SCREW, SPECIAL CAP (4 USED)
9	24H 1303	(-)	WASHER, 13/32" X 11/16" X .060" (4 USED)
10	R 56994	(-)	ELBOW, EXHAUST
11	AR 54563	(-)	MANIFOLD, EXHAUST, FRONT
12	R 44374	(-)	GASKET, EXHAUST MANIFOLD, OUTER (2 USED)
13	R 44373	(-)	GASKET, EXHAUST MANIFOLD, INNER (2 USED)

**TURBOCHARGER OIL AND AIR PIPES
(6404A, T)**

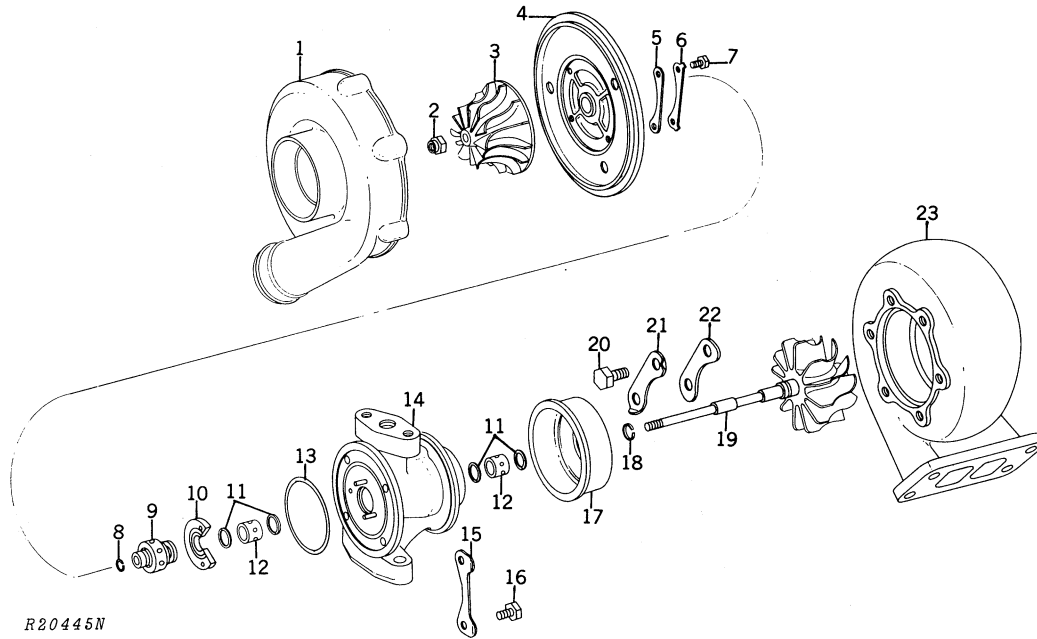
R20141



KEY	PART NO.	ENGINE SERIAL NO.	DESCRIPTION
1	AR 21842	(-)	CLAMP, HOSE
2	R 46627	(-)	HOSE
3	AR 21841	(-)	CLAMP, HOSE
4	14H 812	(-)	NUT, 3/8" (4 USED)
5	24H 1303	(-)	WASHER, 13/32" X 11/16" X .060" (8 USED)
6	R 43413	(-)	GASKET
7	AR 61590	(-)	LINE, OIL INLET, WITH ADAPTER
8	19H 1906	(-)	SCREW, CAP, 5/16" X 1-1/2" (2 USED)
	12H 303	(-)	WASHER, LOCK, 5/16" (2 USED)
9	R 43724	(-)	ADAPTER, EXHAUST ELBOW
10	R 54500	(-)	SCREW, SPECIAL CAP (4 USED)
11	R 56994	(-)	ELBOW, EXHAUST (SUB. FOR R50392)
12	AR 54576	(- XXXXX)	LINE, FLEXIBLE OIL, INLET (SUB. AR76424 AND R62239)
	AR 76424	(XXXXX -)	LINE, FLEXIBLE OIL, INLET
13	R 55078	(-)	STUD, 3/8" X 1-1/2" (4 USED) (SUB. FOR R43170)
14	R 43751	(-)	GASKET
15	R 43416	(-)	GASKET
16	19H 2284	(-)	SCREW, CAP, 3/8" X 7/8" (2 USED)
	12H 304	(-)	WASHER, LOCK, 3/8" (2 USED)
17	AR 54577	(- 507161)	PIPE, OIL OUTLET WITH ADAPTER (6404A)
	AR 54577	(- XXXXX)	PIPE, OIL OUTLET WITH ADAPTER (6404T)
	AR 73815	(507162 -)	PIPE, OIL OUTLET WITH ADAPTER (6404A)
	AR 73815	(XXXXX -)	PIPE, OIL OUTLET WITH ADAPTER (6404T)
18	R 43780	(-)	O-RING
19	R 41285	(-)	CONNECTOR, 1/2"-14
20	R 52775	(- XXXXX)	ADAPTER
	R 62239	(XXXXX -)	CONNECTOR, 5/8"-18 X 3/4"-14

**TURBOCHARGER
(AIRESEARCH)
(6404A, T)
(ENGINE SERIAL NO. -512305)**

R20445N



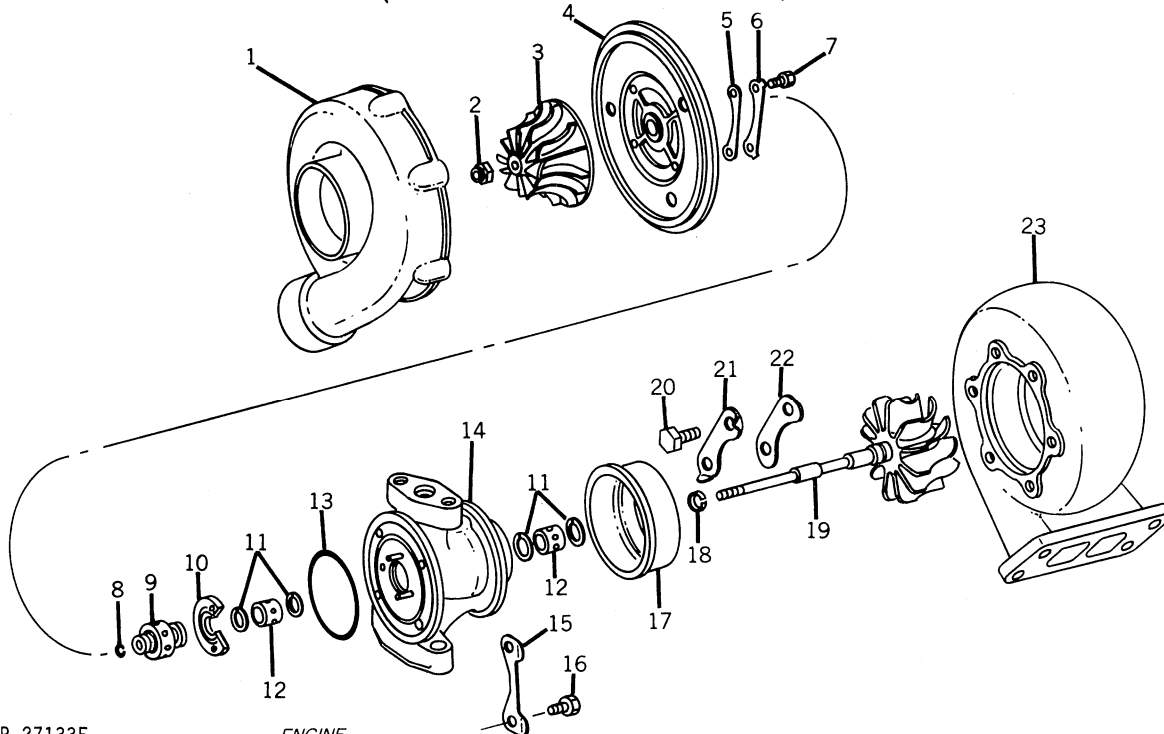
R20445N

KEY	PART NO.	ENGINE SERIAL NO.	DESCRIPTION
1	R 55027	(-)	HOUSING, COMPRESSOR (6404A)
	R 55026	(-)	HOUSING, COMPRESSOR (6404T)
2	R 43817	* (-)	NUT, LOCK
3	R 55025	* (-)	IMPELLER
4	AR 54934	* (-)	BACKPLATE ASSEMBLY
5	R 48709	(-)	CLAMP (3 USED)
6	R 48710	(-)	PLATE, LOCK (3 USED)
7	19H 2020	(-)	SCREW, CAP, 5/16" X 1/2" (6 USED)
8	R 43806	* (-)	RING, PISTON
9	R 43801	* (-)	COLLAR, THRUST
10	R 43808	* (-)	BEARING
11	R 43816	* (-)	RING, RETAINING (4 USED)
12	R 43803	* (-)	BEARING (2 USED)
	R 50784	(-)	BEARING, .005" (0.13MM) UNDERSIZE (2 USED)
	R 50785	(-)	BEARING, .010" (0.25MM) UNDERSIZE (2 USED)
13	R 43805	* (-)	O-RING
14	AR 63781	(-)	HOUSING, CENTER ASSEMBLY
	AR 63780	(-)	HOUSING, CENTER, WITH ROTATING PARTS (CONSISTS OF PARTS MARKED WITH AN ASTERISK)
15	R 43986	(-)	PLATE, LOCK (2 USED)
16	19H 1919	(-)	SCREW, CAP, 1/4" X 5/8" (4 USED)
17	R 43804	* (-)	SHROUD, WHEEL
18	R 55024	* (-)	RING, PISTON
19	AR 51988	* (-)	WHEEL, TURBINE, WITH SHAFT
20	R 43819	(-)	BOLT, SPECIAL (6 USED)
21	R 43815	(-)	PLATE, LOCK (3 USED)
22	R 43821	(-)	CLAMP (3 USED)
23	R 55028	(-)	HOUSING, TURBINE (6404A)
	R 48712	(-)	HOUSING, TURBINE (6404T)
..	AR 63699	(-)	TURBOCHARGER, COMPLETE (6404A)
..	AR 70987	(-)	TURBOCHARGER, COMPLETE (6404T) (SUB. FOR AR63698)

* SEE KEY 14

**TURBOCHARGER
(AIRESEARCH)
(6404A, T)
(ENGINE SERIAL NO. 512306-)**

R27133F

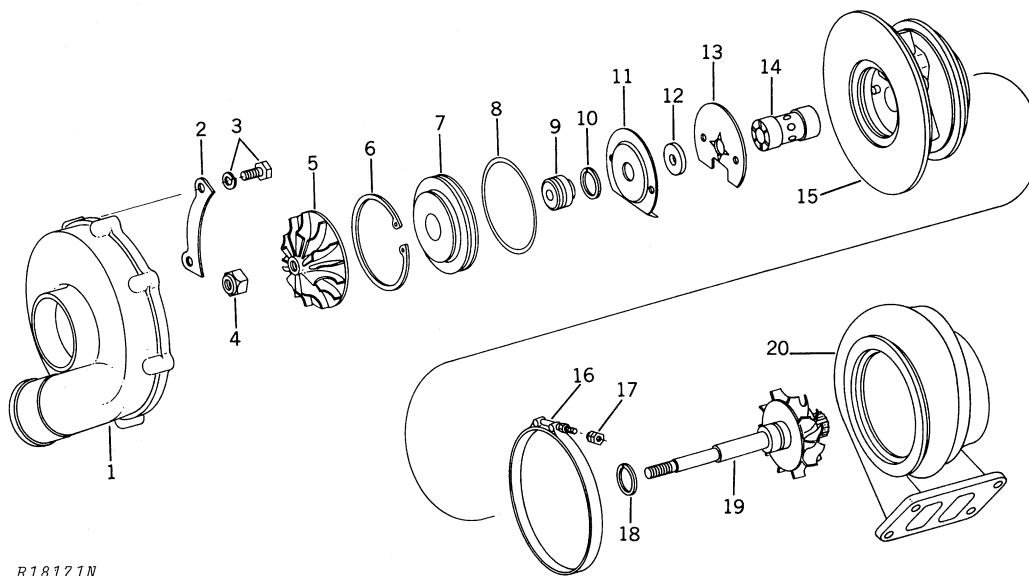


KEY	R 27133F PART NO.	ENGINE SERIAL NO.	DESCRIPTION
1	R 55027	(-)	HOUSING, COMPRESSOR
2	R 43817	* (-)	NUT, LOCK
3	R 55025	* (-)	IMPELLER
4	AR 54934	* (-)	BACKPLATE ASSEMBLY
5	R 48709	(-)	CLAMP (3 USED)
6	R 48710	(-)	PLATE, LOCK (3 USED)
7	19H 2020	(-)	SCREW, CAP, 5/16" X 1/2" (6 USED)
8	R 43806	* (-)	RING, PISTON
9	R 43801	* (-)	COLLAR, THRUST
10	R 43808	* (-)	BEARING
11	R 43816	* (-)	RING, RETAINING (4 USED)
12	R 43803	* (-)	BEARING (2 USED)
	R 50784	(-)	BEARING, .005" (0.13 MM) UNDERSIZE (2 USED)
	R 50785	(-)	BEARING, .010" (0.25 MM) UNDERSIZE (2 USED)
13	R 43805	* (-)	O-RING
14	AR 63781	(-)	HOUSING, CENTER ASSEMBLY
	AR 63780	(-)	HOUSING, CENTER, WITH ROTATING PARTS (CONSISTS OF PARTS MARKED WITH AN ASTERISK)
15	R 43986	(-)	PLATE, LOCK (2 USED)
16	19H 1919	(-)	SCREW, CAP, 1/4" X 5/8" (4 USED)
17	R 43804	* (-)	SHROUD, WHEEL
18	R 55024	* (-)	RING, PISTON
19	AR 51988	* (-)	WHEEL, TURBINE, WITH SHAFT
20	R 43819	(-)	BOLT, SPECIAL (6 USED)
21	R 43815	(-)	PLATE, LOCK (3 USED)
22	R 43821	(-)	CLAMP (3 USED)
23	R 55028	(-)	HOUSING, TURBINE
..	AR 63699	(-)	TURBOCHARGER, COMPLETE

* SEE KEY 14

**TURBOCHARGER
(SCHWITZER)
(6404A, T)
(ENGINE SERIAL NO. -512305)**

R18171

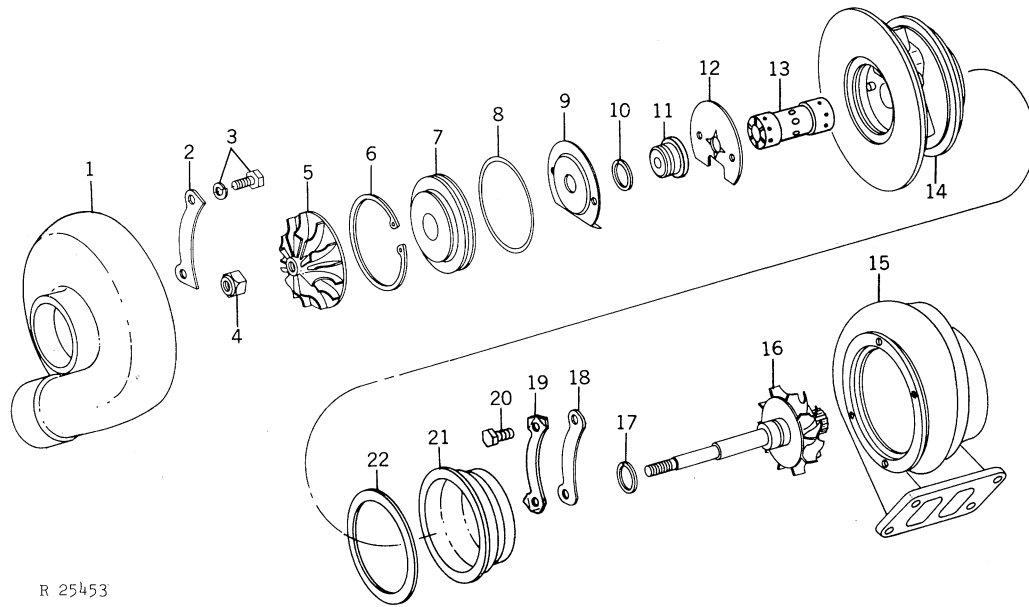


R18171N

KEY	PART NO.	ENGINE SERIAL NO.	DESCRIPTION
1	R 55030	(-)	COVER, COMPRESSOR (6404A)
	R 54176	(-)	COVER, COMPRESSOR (6404T)
2	R 46693	(-)	PLATE, CLAMP (4 USED)
3	R 56630	(-)	SCREW WITH LOCKWASHER (8 USED) (ALSO ORDER R56631 WASHER) (SUB. FOR AR43976)
4	R 46691	* (-)	NUT, LOCK
5	R 54177	* (-)	WHEEL, COMPRESSOR (6404T)
	R 55029	* (-)	WHEEL, COMPRESSOR (6404A)
6	R 46686	* (-)	RING, SNAP
7	R 46687	(-)	INSERT (SCHWITZER SERIAL NO. PRIOR TO L1872-1)
	R 56626	* (-)	INSERT (SCHWITZER SERIAL NO. L1872-1 AND UP)
8	R 46685	* (-)	O-RING
9	R 46689	(-)	SLEEVE, SPACER (SCHWITZER SERIAL NO. PRIOR TO L1872-1)
	R 56627	* (-)	SLEEVE, FINGER (SCHWITZER SERIAL NO. L1872-1 AND UP)
10	R 46688	(-)	RING, PISTON (SCHWITZER SERIAL NO. PRIOR TO L1872-1)
	R 56628	* (-)	RING, PISTON (SCHWITZER SERIAL NO. L1872-1 AND UP)
11	R 46682	* (-)	DEFLECTOR, OIL
12	R 46683	* (-)	RING, THRUST (SCHWITZER SERIAL NO. PRIOR TO L1872-1)
13	R 46684	* (-)	PLATE, THRUST
14	R 46681	* (-)	BEARING
15	AR 43974	* (-)	HOUSING, BEARING, WITH PINS
	AR 61860	(-)	HOUSING, CENTER AND ROTATING ASSEMBLY (CONSISTS OF PARTS MARKED WITH AN ASTERISK) (6404T) (SUB. AR68137)
	AR 63783	(-)	HOUSING, CENTER AND ROTATION ASSEMBLY (CONSISTS OF PARTS MARKED WITH AN ASTERISK) (6404A)
16	R 56629	(-)	CLAMP (SUB. FOR R46690)
17	R 46692	(-)	NUT, SELF-LOCKING
18	R 46679	* (-)	RING, PISTON (COPPER PLATED FOR IDENTIFICATION)
19	AR 63778	* (-)	WHEEL, TURBINE, WITH SHAFT
20	R 50502	(-)	HOUSING, TURBINE (6404T)
	R 55031	(-)	HOUSING, TURBINE (6404A)
..	AR 68139	(-)	TURBOCHARGER, COMPLETE

**TURBOCHARGER
(SCHWITZER)
(ENGINE SERIAL NO. 512306-)**

R25453



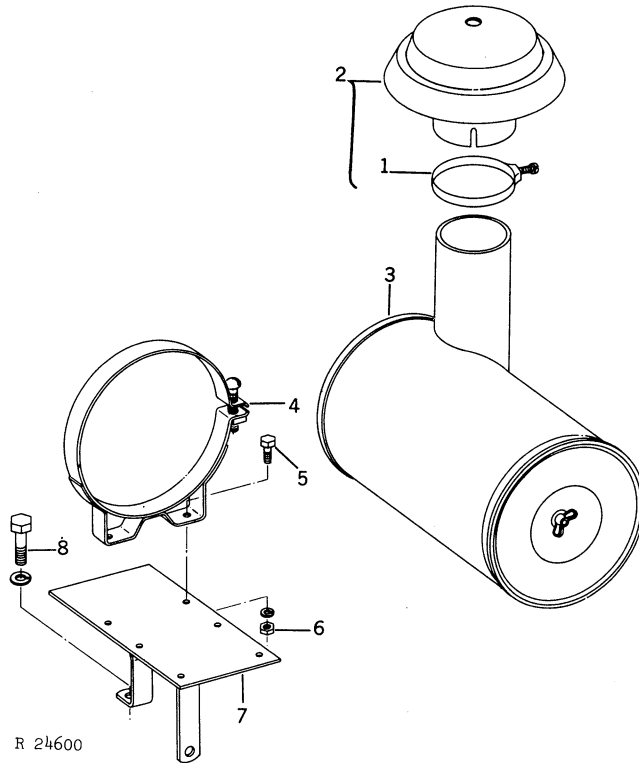
R 25453

KEY	PART NO.	ENGINE SERIAL NO.	DESCRIPTION
I	1 R 55030	(-)	COVER, COMPRESSOR (SUB. FOR R63118)
	2 R 46693	(-)	PLATE, CLAMP (3 USED)
	3 AR 78019	(-)	SCREW WITH LOCK WASHER (6 USED)
	4 R 46691	(-)	NUT, LOCK
	5 R 63128	(-)	WHEEL, COMPRESSOR
	6 R 46686	(-)	RING, SNAP
	7 R 56626	(-)	INSERT
	8 R 46685	(-)	O-RING
	9 R 46682	(-)	DEFLECTOR, OIL
	10 R 56628	(-)	RING, PISTON
	11 R 56627	(-)	SLEEVE, FLINGER
	12 R 63127	(-)	BEARING, THRUST
	13 R 63126	(-)	BEARING
	14 AR 78023	(-)	HOUSING, BEARING, WITH PINS
	AR 78020	(-)	HOUSING, CENTER AND ROTATING ASSEMBLY (CONSISTS OF PARTS MARKED WITH AN ASTERISK)
	15 R 63119	(-)	HOUSING, TURBINE
	16 AR 78021	(-)	WHEEL, TURBINE, WITH SHAFT
	17 R 63123	(-)	RING, PISTON
	18 R 63120	(-)	PLATE, CLAMP (2 USED)
	19 R 63121	(-)	PLATE, LOCK (2 USED)
	20 R 63122	(-)	SCREW, CAP (4 USED)
	21 R 63124	(-)	PLATE, BACK
	22 R 63125	(-)	GASKET
..	AR 78022	(-)	TURBOCHARGER, COMPLETE

* SEE KEY 14.

**AIR CLEANER WITH BANDS AND SUPPORTS
CODE 1801 AIR CLEANER**

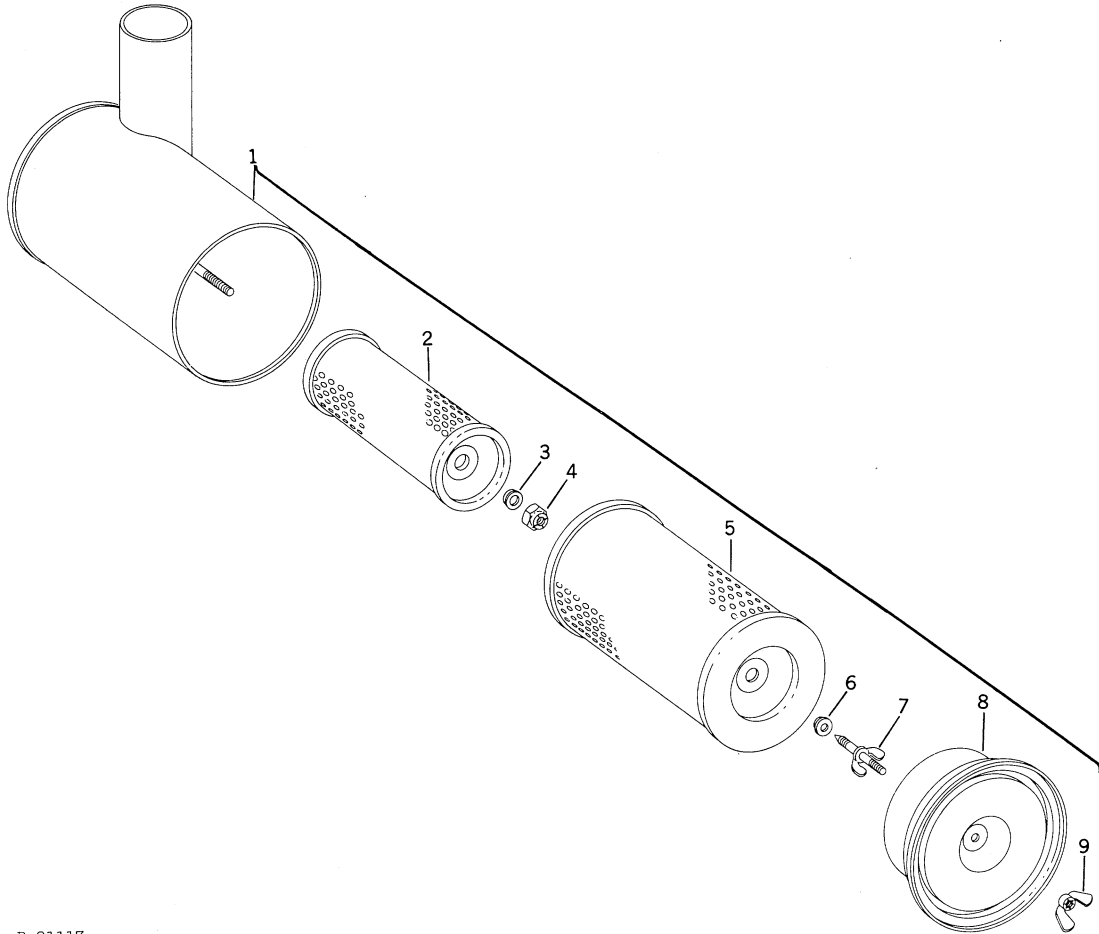
R24600



KEY	PART NO.	ENGINE SERIAL NO.	DESCRIPTION
1	C 16054	(-)	CLAMP
2	AR 72337	(-)	CAP, AIR STACK
3	AR 64932	(-)	CLEANER, DRY AIR
4	AR 64937	(-)	BAND, MOUNTING (2 USED)
5	19H 2284	(-)	SCREW, CAP, 3/8" X 7/8" (4 USED)
6	14H 812	(-)	NUT, 3/8" (4 USED)
	12H 304	(-)	WASHER, LOCK, 3/8" (4 USED)
7	AR 65431	(-)	SUPPORT, AIR CLEANER
8	19H 2588	(-)	SCREW, CAP, 5/8" X 1-7/8"
	12H 294	(-)	WASHER, LOCK, 5/8"

DRY AIR CLEANER
CODE 1801 AIR CLEANER

R21117

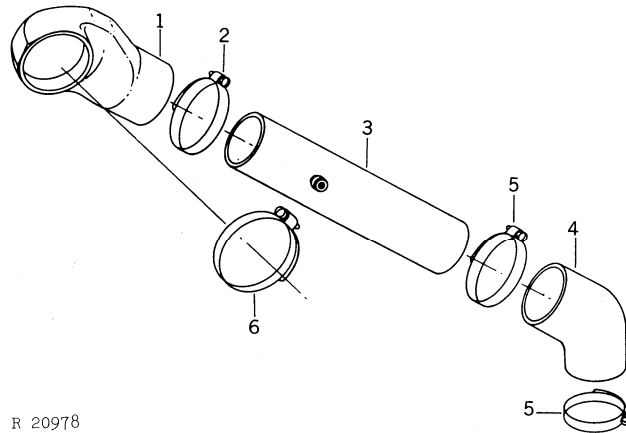


R 21117

KEY	PART NO.	ENGINE SERIAL NO.	DESCRIPTION
1	AR 64932	(-)	CLEANER, DRY AIR
I 2	AR 61968	(- XXXXX)	ELEMENT, SECONDARY (SUB. FOR AR49840)
I 3	AR 79680	(XXXXX -)	ELEMENT, SECONDARY
	AR 52066	(-)	WASHER, SEAL
	E 17421	(-)	NUT, SPECIAL HEX., LOCK
I 5	AR 61967	(-)	ELEMENT, PRIMARY (ALSO ORDER AR61968, SUB. FOR AR49839)
	AR 52065	(-)	WASHER, SEAL
	AR 52064	(-)	BOLT, WING
	AR 52063	(-)	COVER, AIR CLEANER
9	R 48723	(-)	NUT, SPECIAL

**AIR INTAKE PIPES
(6404D)
CODE 1801 AIR CLEANER**

R20978

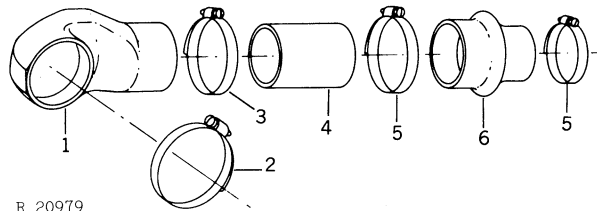


R 20978

KEY	PART NO.	ENGINE SERIAL NO.	DESCRIPTION
1	R 46626	(-)	HOSE
2	AR 21999	(-)	CLAMP
3	AR 65432	(-)	PIPE, AIR INTAKE, WITH BUSHING
	15H 558	(-)	PLUG, 1/4"
4	R 55866	(-)	HOSE
5	AR 21841	(-)	CLAMP (2 USED)
6	C 16054	(-)	CLAMP

**AIR INTAKE PIPES
(6404A, T)
CODE 1801 AIR CLEANER**

R20979

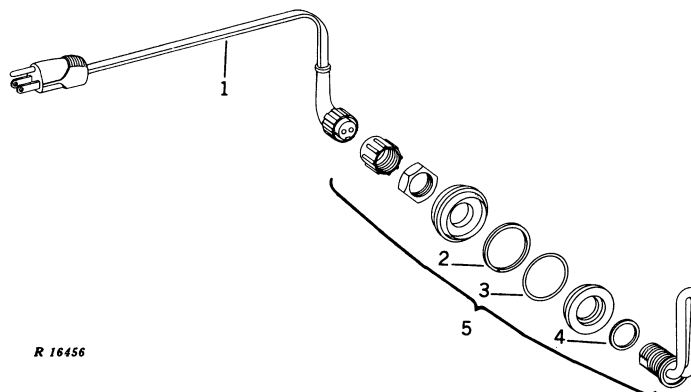


R 20979

KEY	PART NO.	ENGINE SERIAL NO.	DESCRIPTION
1	R 46626	(-)	HOSE, AIR INTAKE
2	C 16054	(-)	CLAMP
3	AR 21999	(-)	CLAMP
4	R 55927	(-)	PIPE, AIR INTAKE
5	AR 21841	(-)	CLAMP (2 USED)
6	R 46627	(-)	HOSE

ENGINE COOLANT HEATER

R16456

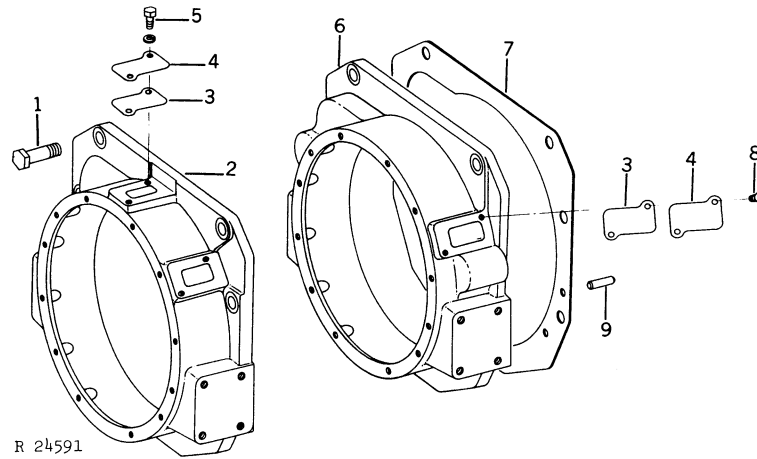


R 16456

KEY	PART NO.	ENGINE SERIAL NO.	DESCRIPTION
1	AR 50411	(-)	CORD
2	R 47692	(-)	RING, SPLIT
3	R 31378	(-)	O-RING
4	R 47693	(-)	GASKET
5	AR 50399	(-)	HEATER WITH CAP
..	AR 50518	(-)	HEATER, ENGINE COOLANT, WITH CORD (CONSISTING OF ONE AR50399 ENGINE COOLANT HEATER AND ONE AR50411 CORD)

FLYWHEEL HOUSING
CODE 1403 FLYWHEEL HOUSING, SAE NO. 3
CODE 1405 FLYWHEEL HOUSING, SAE NO. 2
CODE 1507 FLYWHEEL FOR 14 INCH SINGLE PLATE

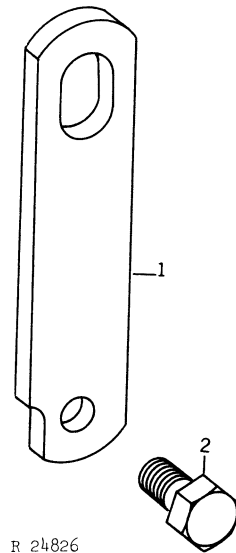
R24591



KEY	PART NO.	ENGINE SERIAL NO.	CODE	DESCRIPTION
1	19H 1732	(-)		SCREW, CAP, 3/4" X 2-1/4" (6 USED)
2	R 51822	(-)	1403	HOUSING, FLYWHEEL (ALSO ORDER 15H624 PLUG)
3	R 31494	(-)		GASKET, TIMING GEAR COVER (2 USED)
4	R 31493	(-)		COVER, TIMING GEAR (2 USED)
5	19H 1731	(-)		SCREW, CAP, 3/8" X 1" (2 USED)
	12H 304	(-)		WASHER, LOCK, 3/8" (2 USED)
6	R 57843	(-)	1405	HOUSING, FLYWHEEL
7	R 56963	(-)	1507	SPACER, FLYWHEEL HOUSING
8	21H 1318	(-)		SCREW, MACH., PAN HD., NO. 12 (2 USED)
9	C 1220 R	(-)		PIN, DOWEL (2 USED)

LIFT STRAPS

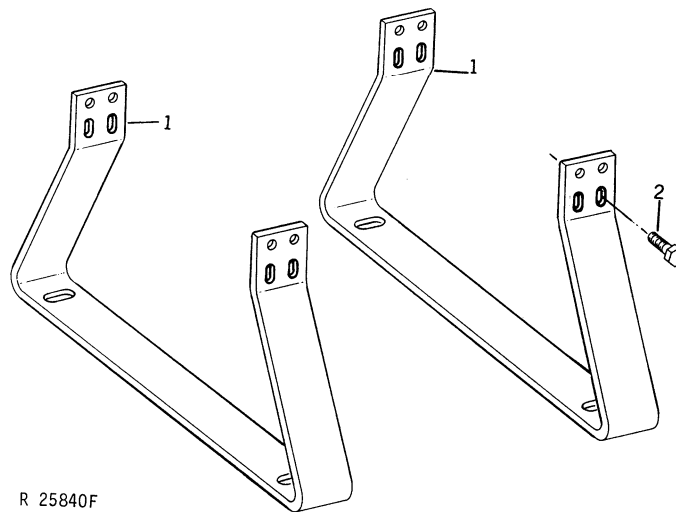
R24826



KEY	PART NO.	ENGINE SERIAL NO.	DESCRIPTION
1	R 61497	(-)	STRAP, LIFT (2 USED)
2	R 45692	(-)	SCREW, SPECIAL CAP (2 USED)

ENGINE MOUNTING

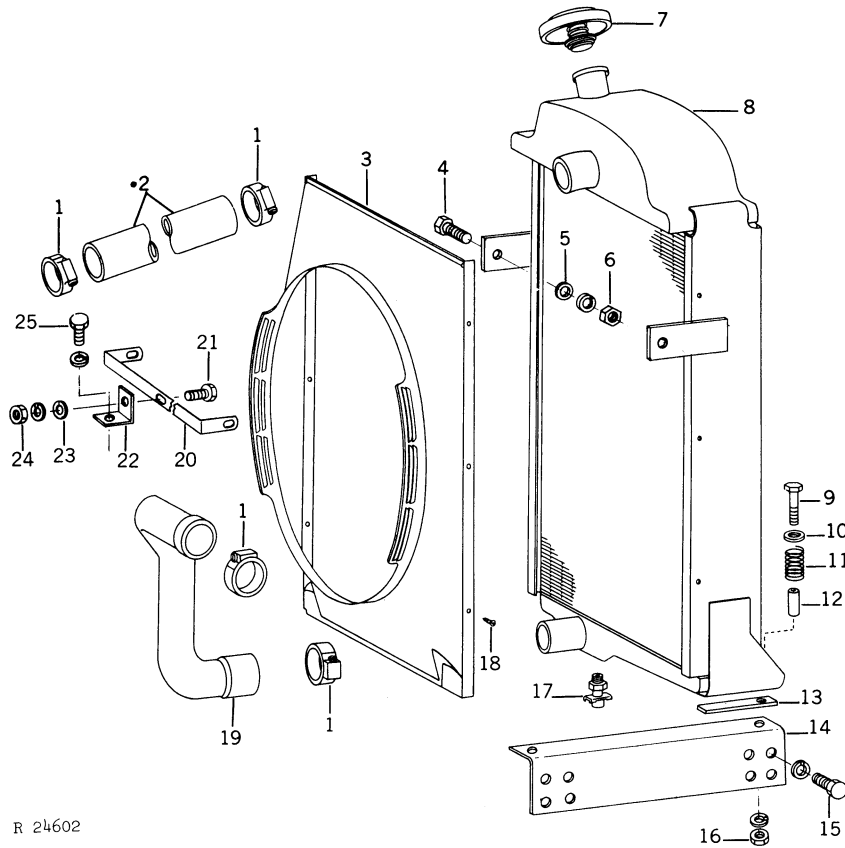
R25840



KEY	PART NO.	ENGINE SERIAL NO.	DESCRIPTION
I 1	R 49759	(- XXXXX)	MOUNT, ENGINE (2 USED)
I 1	R 63271	(XXXXX -)	MOUNT, ENGINE (2 USED)
2	19H 2588	(-)	SCREW, CAP, 5/8" X 1-7/8" (12 USED)
	12H 294	(-)	WASHER, LOCK, 5/8" (12 USED)

**RADIATOR
(6404D)
CODE 2701 RADIATOR AND FAN SHROUD**

R24602

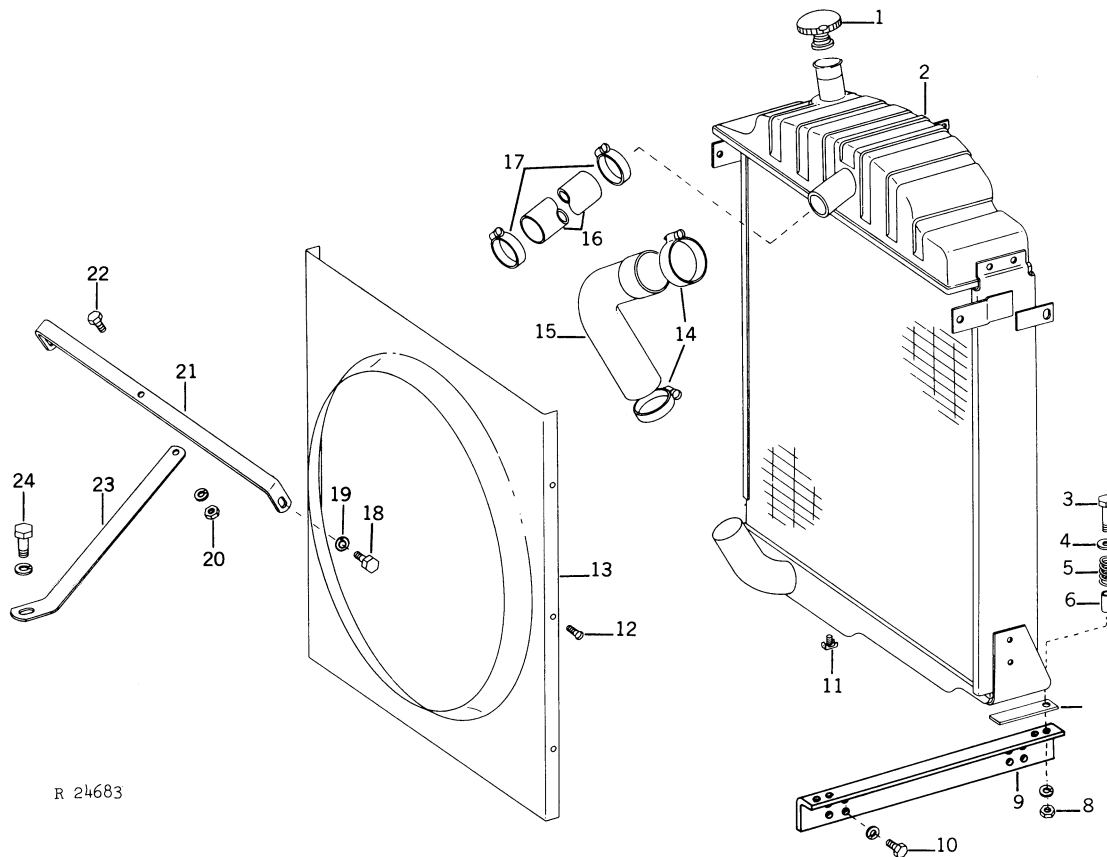


R 24602

KEY	PART NO.	ENGINE SERIAL NO.	DESCRIPTION
1	AR 21840	(-)	CLAMP, HOSE (4 USED)
2	R 53231	(-)	HOSE, UPPER (SUB. FOR R35304)
3	R 34090	(-)	SHROUD, FAN
4	19H 218	(-)	SCREW, CAP, 3/8" X 1" (2 USED)
5	24H 1652	(-)	WASHER, 13/32" X 11/16" X .105" (2 USED)
6	14H 812	(-)	NUT, 3/8" (2 USED)
	12H 304	(-)	WASHER, LOCK, 3/8" (2 USED)
7	AR 28482	(-)	CAP, RADIATOR, WITH COVER
8	AR 53869	(-)	RADIATOR WITH CUSHION
9	19H 1819	(-)	SCREW, CAP, 3/8" X 2-1/8" (2 USED)
10	24H 1309	(-)	WASHER, 13/32" X 1-1/16" X .120" (2 USED)
11	F 2411 R	(-)	SPRING (2 USED)
12	R 26417	(-)	SPACER (2 USED)
13	R 26413	(-)	CUSHION (2 USED)
14	R 53598	(-)	SUPPORT, RADIATOR (2 USED)
15	19H 1734	(-)	SCREW, CAP, 5/8" X 2" (8 USED)
	12H 294	(-)	WASHER, LOCK, 5/8" (8 USED)
16	14H 812	(-)	NUT, 3/8" (2 USED)
	12H 304	(-)	WASHER, LOCK, 3/8" (2 USED)
17	AT 18904	(-)	COCK, DRAIN
18	37H 78	(-)	SCREW, TAPPING, 1/4" X 5/8" (6 USED)
19	R 53141	(-)	HOSE, LOWER
20	R 49859	(-)	STRAP, RADIATOR
21	19H 988	(-)	SCREW, CAP, 3/8" X 1-1/4"
22	R 55871	(-)	BRACE
23	24H 1305	(-)	WASHER, 13/32" X 13/16" X .060
24	14H 812	(-)	NUT, 3/8"
	12H 304	(-)	WASHER, LOCK, 3/8"
25	19H 1833	(-)	SCREW, CAP, 5/8" X 1-1/4"
	12H 294	(-)	WASHER, LOCK, 5/8"

**RADIATOR
(6404A, T)
CODE 2701 RADIATOR AND FAN SHROUD**

R24683

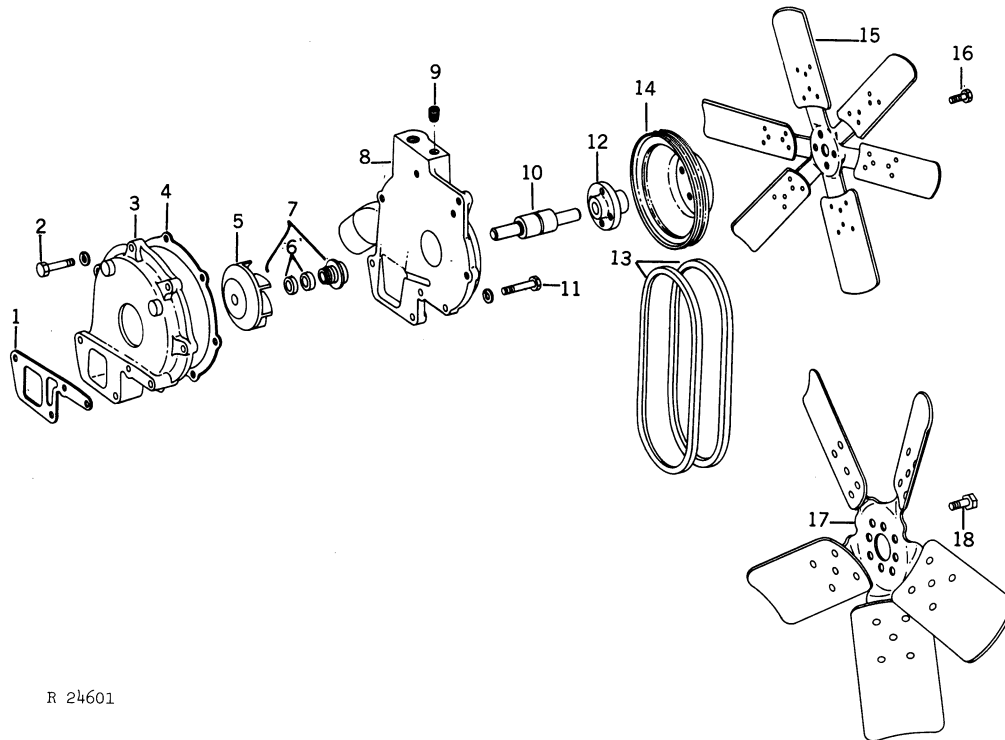


R 24683

KEY	PART NO.	ENGINE SERIAL NO.	DESCRIPTION
1	AR 28482	(-)	CAP, RADIATOR
2	AR 43945	(-)	RADIATOR
3	19H 2549	(-)	SCREW, CAP, 3/8" X 1-7/8" (2 USED)
4	24H 1309	(-)	WASHER, 13/32" X 1-1/16" X .120" (2 USED)
5	F 2411 R	(-)	SPRING (2 USED)
6	R 26417	(-)	SPACER (2 USED)
7	R 26413	(-)	CUSHION (2 USED)
8	14H 812	(-)	NUT, 3/8" (2 USED)
	12H 304	(-)	WASHER, LOCK, 3/8" (2 USED)
9	R 53598	(-)	SUPPORT (2 USED)
10	19H 1373	(-)	SCREW, CAP, 5/8" X 2" (8 USED)
	12H 294	(-)	WASHER, LOCK, 5/8" (8 USED)
11	AT 13740	(-)	COCK, DRAIN
12	37H 78	(-)	SCREW, TAPPING, 1/4" X 5/8" (6 USED)
13	R 46522	(-)	SHROUD, FAN
14	AR 21999	(-)	CLAMP, HOSE (2 USED)
15	R 52429	(-)	HOSE, LOWER WATER
16	R 55868	(-)	HOSE, UPPER WATER
17	AR 21840	(-)	CLAMP, HOSE (2 USED)
18	19H 2021	(-)	SCREW, CAP, 3/8" X 5/8" (2 USED)
19	24H 1652	(-)	WASHER, 13/32" X 11/16" X .105" (2 USED)
20	14H 812	(-)	NUT, 3/8"
	12H 304	(-)	WASHER, LOCK, 3/8"
21	R 53597	(-)	STRAP, RADIATOR
22	19H 218	(-)	SCREW, CAP, 3/8" X 1"
23	R 55869	(-)	BRACE, RADIATOR STRAP
24	19H 218	(-)	SCREW, CAP, 3/8" X 1"
	12H 304	(-)	WASHER, LOCK, 3/8"

**FAN AND WATER PUMP
(6404D)**
CODE 2401 FAN BELT
CODE 2501 5 BLADED FAN
CODE 2502 6 BLADED FAN

R24601

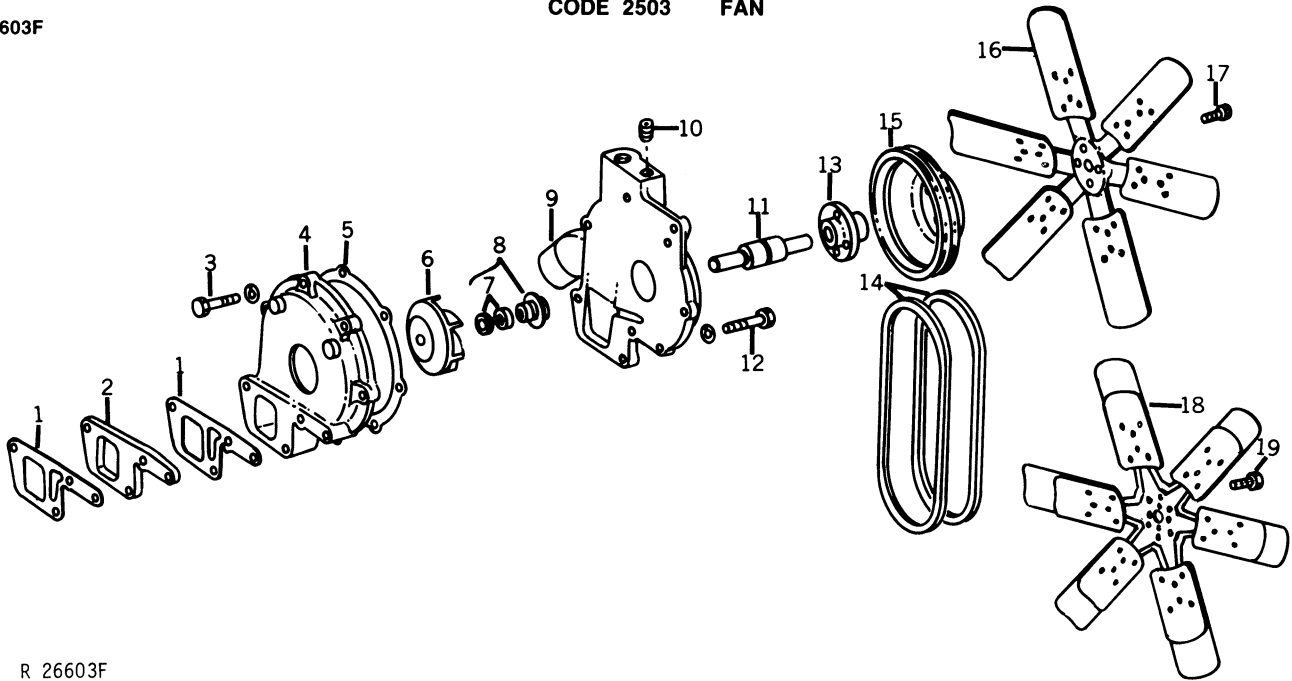


R 24601

KEY	PART NO.	ENGINE SERIAL NO.	CODE	DESCRIPTION
1	R 42406	(-)		GASKET
2	19H 1875	(-)		SCREW, CAP, 5/16" X 1-3/4" (4 USED)
	12H 303	(-)		WASHER, LOCK, 5/16" (4 USED)
3	R 50409	(-)		HOUSING, WATER PUMP, REAR
4	R 50410	(-)		GASKET
5	R 51682	(-)		IMPELLER
6	AR 41691	(-)		INSERT, IMPELLER, WITH CUP
7	AR 62934	(-)		SEAL, WITH INSERT AND CUP
8	AR 55961	(-)		PUMP, WATER, COMPLETE (MARKED R51683)
9	15H 571	(-)		PLUG, PIPE, 3/8", HEX. CTSK.
10	JD 9257	(-)		BEARING, BALL
11	19H 944	(-)		SCREW, CAP, 3/8" X 2-3/4" (4 USED)
	12H 304	(-)		WASHER, LOCK, 3/8" (4 USED)
12	R 53437	(-)		HUB, FAN
13	R 52603	(-)	2401	BELT, FAN
14	R 52591	(-)		PULLEY, FAN (SUB. FOR AR71627)
15	AR 34451	(-)	2501	FAN, 5 BLADE
16	19H 2284	(-)	2501	SCREW, CAP, 3/8" X 7/8" (4 USED)
17	AR 64075	(-)	2502	FAN, 6 BLADE
18	19H 2284	(-)	2502	SCREW, CAP, 3/8" X 7/8" (4 USED)

FAN AND WATER PUMP
 (6404A, T)
CODE 2401 FAN BELTS
CODE 2501 FAN
CODE 2503 FAN

R26603F

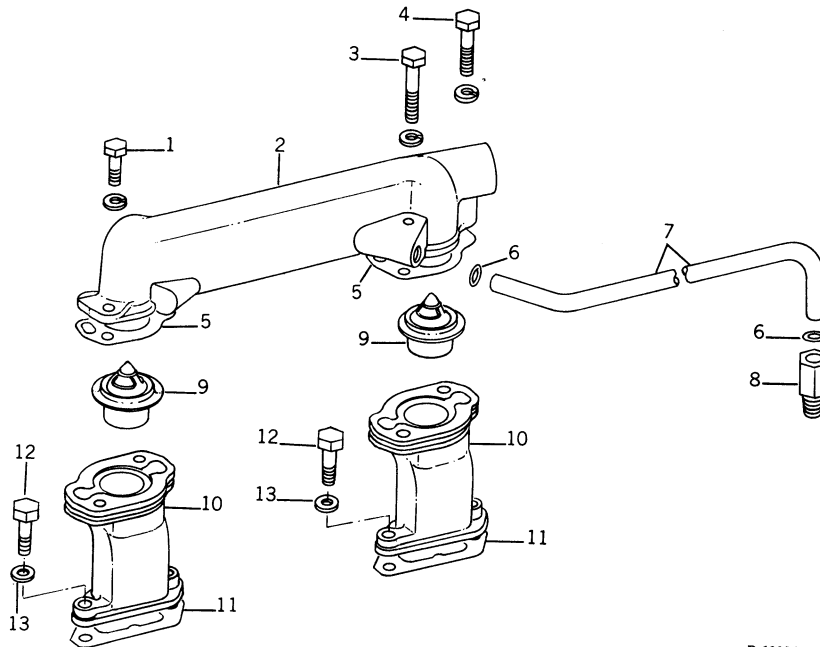


R 26603F

KEY	PART NO.	ENGINE SERIAL NO.	CODE	DESCRIPTION
1	R 42406	(-)		GASKET (2 USED 6404A) (1 USED 6404T)
2	R 50413	(-)		SPACER, WATER PUMP (1 USED 6404A)
3	19H 1875	(-)		SCREW, CAP, 5/16" X 1-3/4" (4 USED)
	12H 303	(-)		WASHER, LOCK, 5/16" (4 USED)
4	R 50409	(-)		HOUSING, WATER PUMP, REAR
5	R 50410	(-)		GASKET
6	R 50411	(-)		IMPELLER
7	AR 41691	(-)		INSERT, IMPELLER, WITH CUP
8	AR 62934	(-)		SEAL WITH INSERT AND CUP
9	AR 54578	(-)		PUMP, WATER, COMPLETE (MARKED R50408) (DOUBLE BELT DRIVE)
10	15H 571	(-)		PLUG, PIPE, 3/8", HEX. CTSK.
11	JD 9257	(-)		BEARING, BALL
12	19H 2636	(-)		SCREW, CAP, 3/8" X 3-5/8" (4 USED 6404A)
	19H 944	(-)		SCREW, CAP, 3/8" X 2-3/4" (4 USED 6404T)
	12H 304	(-)		WASHER, LOCK, 3/8" (4 USED)
13	R 51684	(-)		HUB, FAN
14	AR 57266	(-)	2401	V-BELT, FAN, TWO MATCHED
15	R 52592	(-)		PULLEY, FAN (DOUBLE BELT DRIVE)
16	AR 48871	(-)	2503	FAN
17	19H 2284	(-)	2503	SCREW, CAP, 3/8" X 7/8" (4 USED)
I 18	AT 24834	(-)	2501	FAN, BLOWER (USE WITH CODE 2701 RADIATOR)
I 19	19H 2284	(-)	2501	SCREW, CAP, 3/8" X 7/8" (4 USED)

**WATER OUTLET MANIFOLD AND THERMOSTAT HOUSINGS
(6404D)**

R19334

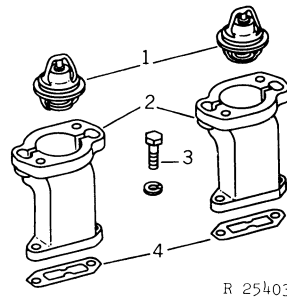


R 19334

KEY	PART NO.	ENGINE SERIAL NO.	DESCRIPTION
1	19H 1732 12H 304	(-)	SCREW, CAP, 3/8" X 1-1/4" (2 USED)
2	R 52509	(-)	WASHER, LOCK, 3/8" (2 USED)
		(-)	MANIFOLD, WATER OUTLET
3	19H 1801 12H 304	(-)	SCREW, CAP, 3/8" X 2"
		(-)	WASHER, LOCK, 3/8"
4	19H 1765 12H 304	(-)	SCREW, CAP, 3/8" X 1-3/4"
		(-)	WASHER, LOCK, 3/8"
5	R 42694	(-)	GASKET (2 USED)
6	R 43780	(-)	O-RING (2 USED)
7	R 51440	(-)	PIPE, WATER BYPASS
8	R 41285	(-)	CONNECTOR, SPECIAL
9	R 36846	(-)	THERMOSTAT (RANGE 180° - 200°F (82 - 93°C) (2 USED)
10	AR 44840	(-)	HOUSING, THERMOSTAT (2 USED) (MARKED R42664)
		(-)	GASKET (2 USED)
11	R 42693	(-)	SCREW, CAP, 3/8" X 1-3/8" (4 USED)
12	19H 2545 12H 304	(-)	WASHER, LOCK, 3/8" (4 USED)
13	24H 1303	(-)	WASHER, 13/32" X 11/16" X .060" (4 USED)

**THERMOSTAT HOUSING AND THERMOSTATS
(6404D)**

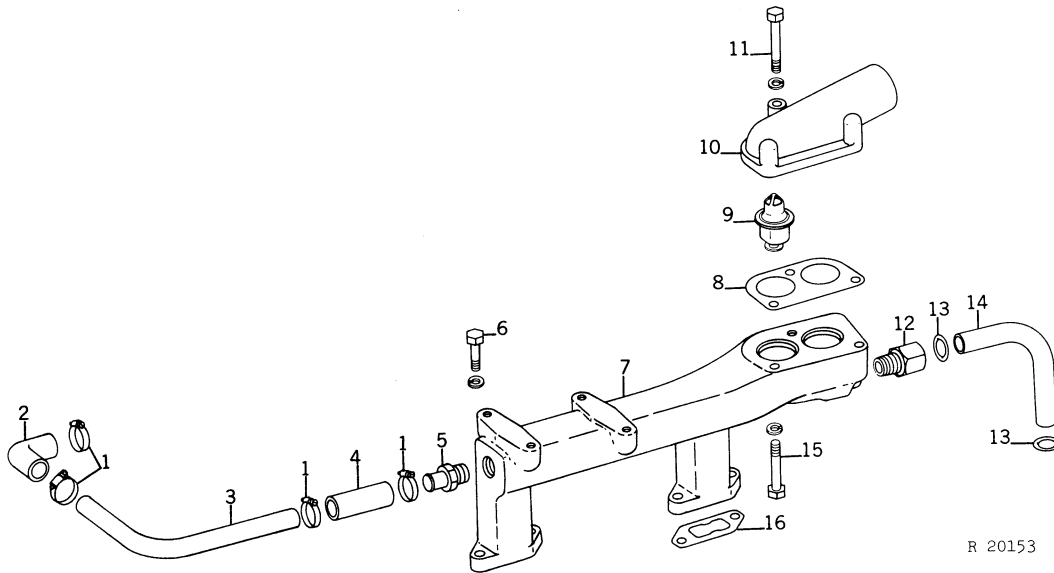
R25403



KEY	PART NO.	ENGINE SERIAL NO.	DESCRIPTION
1	R 36846	(-)	THERMOSTAT (RANGE 180° - 202°F) (82 - 94°C) (2 USED)
2	AR 44840	(-)	HOUSING, THERMOSTAT (MARKED R41853 OR R42664) (2 USED)
3	19H 1732	(-)	SCREW, CAP, 3/8" X 1-1/4" (4 USED)
	24H 1303	(-)	WASHER, 13/32" X 11/16" X .060" (4 USED)
	12H 304	(-)	WASHER, LOCK, 3/8" (4 USED)
4	R 42693	(-)	GASKET (2 USED)

**WATER MANIFOLDS AND THERMOSTATS
(6404A, T)**

R20153

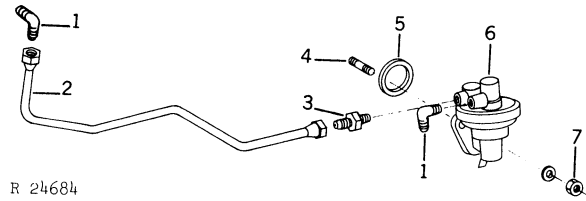


R 20153

KEY	PART NO.	ENGINE SERIAL NO.	DESCRIPTION
	1 AR 21839	(-)	CLAMP, HOSE (4 USED) (6404A)
	2 R 47430	(-)	HOSE (6404A)
I	3 R 50403	(- XXXXX)	TUBE, WATER OUTLET (6404A) (SUB. R61128)
I	R 61128	(XXXXX -)	TUBE, WATER OUTLET (6404A)
	4 A 5203 R	(-)	HOSE (6404A)
	5 R 48362	(-)	CONNECTOR, SPECIAL (6404A)
	15H 665	(-)	PLUG, PIPE, 3/4" (6404T)
I	6 19H 2545	(-)	SCREW, CAP, 3/8" X 1-3/8" (4 USED)
	12H 304	(-)	WASHER, LOCK, 3/8" (4 USED)
	7 R 50415	(-)	MANIFOLD, WATER
	8 R 46479	(-)	GASKET
	9 AR 48675	(-)	THERMOSTAT (2 USED)
	10 R 53423	(-)	COVER, THERMOSTAT
	11 19H 268	(-)	SCREW, CAP, 3/8" X 2-1/2"
	12H 304	(-)	WASHER, LOCK, 3/8"
	12 R 43491	(-)	CONNECTOR
	13 R 50420	(-)	O-RING (2 USED)
	14 R 50416	(-)	TUBE, WATER BYPASS, FRONT (6404A)
	R 51960	(-)	TUBE, WATER BYPASS (6404T)
	15 19H 1726	(-)	SCREW, CAP, 3/8" X 2-1/4" (2 USED)
	12H 304	(-)	WASHER, LOCK, 3/8" (2 USED)
	16 R 42693	(-)	GASKET (2 USED)

**FUEL PUMP AND PIPES
(6404D)**

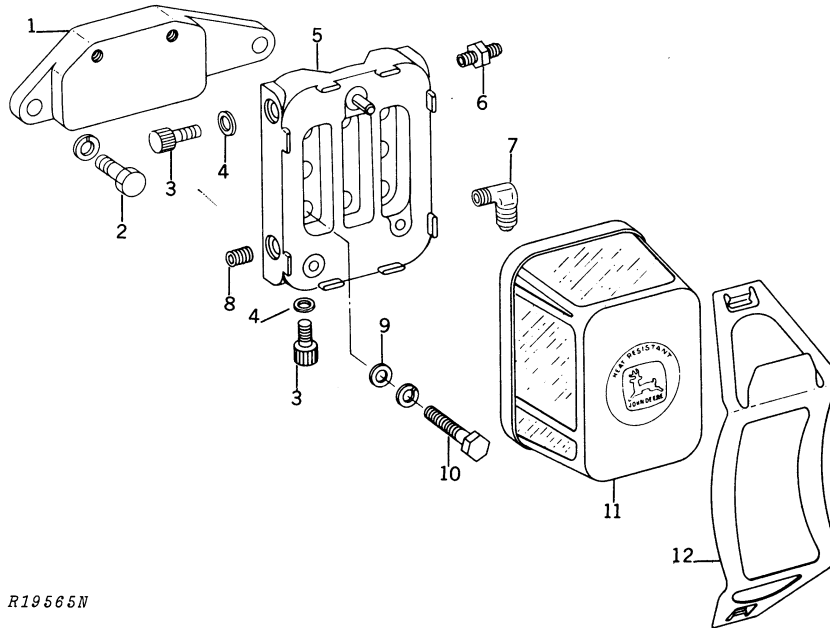
R24684



KEY	PART NO.	ENGINE SERIAL NO.	DESCRIPTION
1	T 30738	(-)	ELBOW, 90°, 1/8"-27 NPT X 1/2"-20 (2 USED)
2	AR 57265	(-)	PIPE, FUEL PUMP TO FUEL FILTER
3	R 27346	(-)	CONNECTOR, 1/8"-27 NPT X 1/2"-20
4	R 48755	(-)	STUD, 5/16" X 1-1/2" (2 USED)
5	R 48399	(-)	O-RING
6	AR 57264	(-)	PUMP, FUEL, WITH PACKING
7	14H 785	(-)	NUT, 5/16" (2 USED)
	12H 303	(-)	WASHER, LOCK, 5/16" (2 USED)

FUEL FILTER
(6404D)

R19565

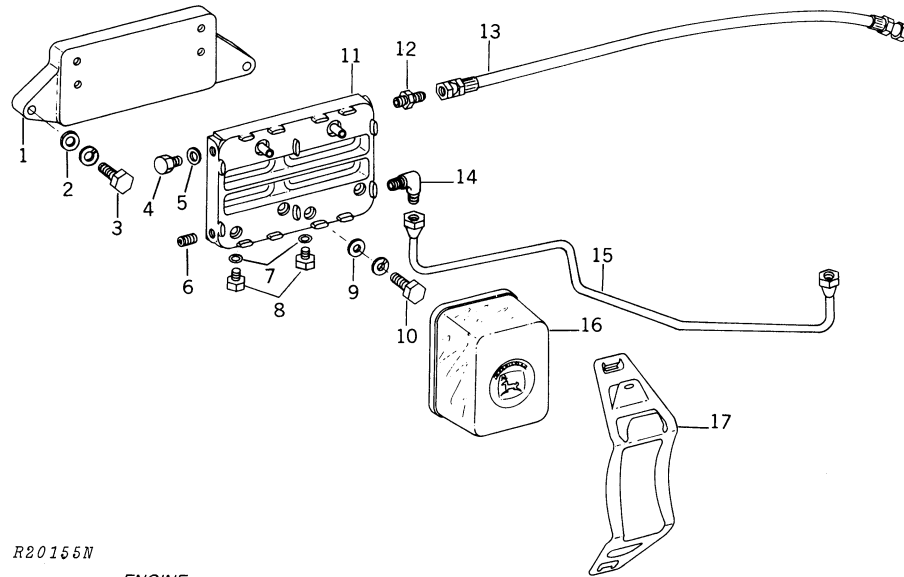


R19565N

KEY	PART NO.	ENGINE SERIAL NO.	DESCRIPTION
1	R 47433	(-)	SUPPORT
2	19H 1822 12H 293	(-)	SCREW, CAP, 7/16" X 1" (2 USED)
3	R 48071	(-)	WASHER, LOCK, 7/16" (2 USED)
4	R 26287	(-)	SCREW, BLEED (2 USED)
5	AR 50040	(-)	PACKING (2 USED) (SUB. FOR R34447)
6	R 27346	(-)	BODY, FUEL FILTER
7	T 30738	(-)	CONNECTOR, 1/8"-27 NPT X 1/2"-20
8	15H 558	(-)	ELBOW, 90°, 1/8"-27 NPT X 1/2"-20
9	24H 1289	(-)	PLUG, PIPE, HEX. CTSK., 1/8"
10	19H 118 12H 303	(-)	WASHER, 21/64" X 5/8" X .048"
11	AR 50041	(-)	SCREW, CAP, 5/16" X 1" (2 USED)
12	R 57258	(-)	WASHER, LOCK, 5/16" (2 USED)
		(-)	ELEMENT, FUEL FILTER
		(-)	SPRING, RETAINING

**FUEL FILTER
(6404A, T)
(ENGINE SERIAL NO. -445569)**

R20155

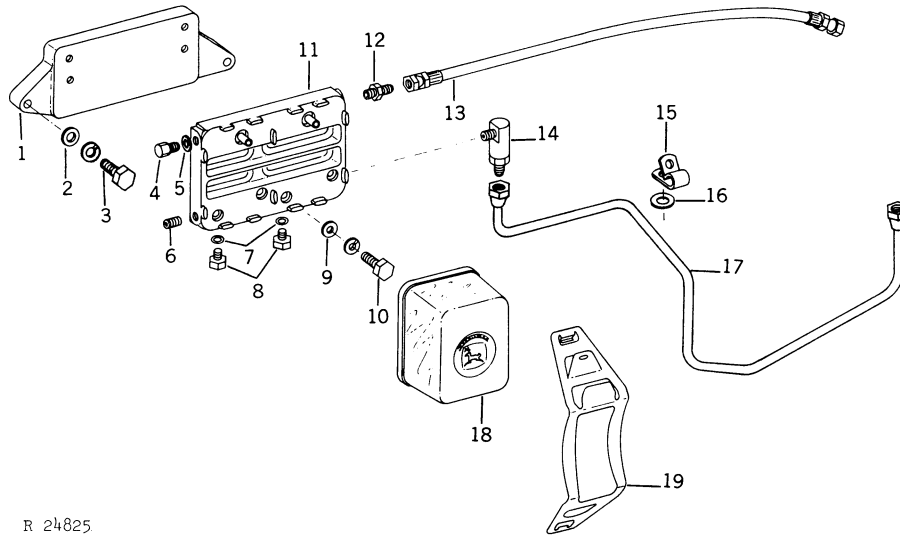


R20155N

KEY	PART NO.	ENGINE SERIAL NO.	DESCRIPTION
1	R 50427	(-)	SUPPORT, FUEL FILTER
2	24H 1323	(-)	WASHER, 15/32" X 13/16" X .090" (2 USED)
3	19H 2500	(-)	SCREW, CAP, 7/16" X 1-3/8" (2 USED)
	12H 293	(-)	WASHER, LOCK, 7/16" (2 USED)
4	R 50425	(-)	SCREW, SPECIAL
5	R 50426	(-)	PACKING
6	15H 559	(-)	PLUG, PIPE, HEX. CTSK., 1/4"
7	R 26287	(-)	PACKING (2 USED) (SUB. FOR R34447)
8	R 48071	(-)	SCREW, BLEED (2 USED)
9	24H 1136	(-)	WASHER, 11/32" X 11/16" X .060" (4 USED)
10	19H 1905	(-)	SCREW, CAP, 5/16" X 1" (4 USED)
	12H 303	(-)	WASHER, LOCK, 5/16" (4 USED)
11	AR 54590	(-)	BODY, FUEL FILTER
12	R 32136	(-)	CONNECTOR, 1/4"-18 NPT X 1/2"-20
13	AR 68454	(-)	LINE, FLEXIBLE FUEL, FUEL FILTERS TO FUEL INJECTION PUMP (SUB. FOR AR47296)
14	AR 54591	(-)	ELBOW, 90°, 1/4"-18 NPT X 1/2"-20
15	AR 61515	(-)	PIPE, FUEL, FUEL TRANSFER PUMP TO FUEL FILTERS
16	AR 50041	(-)	ELEMENT, FUEL FILTER (2 USED)
17	R 57258	(-)	SPRING, RETAINING (2 USED) (SUB. FOR R47358)

**FUEL FILTER
(6404A, T)
(ENGINE SERIAL NO. 445570-)**

R24825



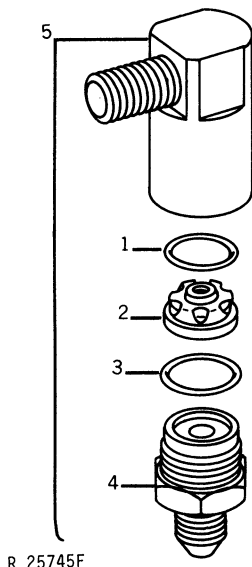
R 24825

KEY	PART NO.	ENGINE SERIAL NO.	DESCRIPTION
1	R 50427	(-)	SUPPORT, FUEL FILTER
2	24H 1323	(-)	WASHER, 15/32" X 13/16" X .090" (2 USED)
3	19H 2500	(-)	SCREW, CAP, 7/16" X 1-3/8" (2 USED)
	12H 293	(-)	WASHER, LOCK, 7/16" (2 USED)
4	R 50425	(-)	SCREW, BLEED
5	R 50426	(-)	PACKING
6	15H 559	(-)	PLUG, PIPE, HEX. CTSK., 1/4"
7	R 26287	(-)	PACKING (2 USED) (SUB. FOR R34447)
8	R 48071	(-)	SCREW, DRAIN (2 USED)
9	24H 1136	(-)	WASHER, 11/32" X 11/16" X .060" (4 USED)
10	19H 1905	(-)	SCREW, CAP, 5/16" X 1" (4 USED)
	12H 303	(-)	WASHER, LOCK, 5/16" (4 USED)
11	AR 54590	(-)	BODY, FUEL FILTER
12	R 32136	(-)	CONNECTOR, 1/4"-18 NPT X 1/2"-20
13	AR 68454	(-)	LINE, FLEXIBLE FUEL, FUEL FILTERS TO FUEL INJECTION PUMP
14	AR 73888	(-)	VALVE, FUEL CHECK (SEE PAGE 25-5 FOR SERVICE PARTS)
15	T 30367	(-)	CLAMP
16	24H 1136	(-)	WASHER, 11/32" X 11/16" X .060"
17	AR 73822	(-)	PIPE, FUEL, FUEL TRANSFER PUMP TO FUEL CHECK VALVE
18	AR 50041	(-)	ELEMENT, FUEL FILTER (2 USED)
19	R 57258	(-)	SPRING, RETAINING (2 USED)

* KIT LISTED BELOW CONTAINS ALL PARTS FOLLOWED BY AN ASTERISK ON THIS PAGE AND PAGE 25-5
 .. AR 74603 (-) KIT, FUEL CHECK VALVE

**FUEL CHECK VALVE
(6404A, T)
(ENGINE SERIAL NO. 445570-)**

R25745F

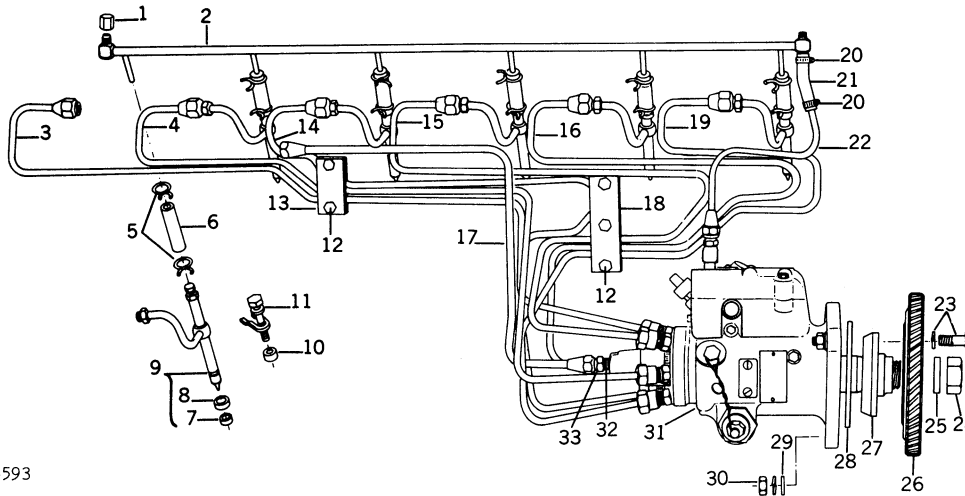


KEY	PART NO.	ENGINE SERIAL NO.	DESCRIPTION
1	R 375 R	(-)	O-RING
2	AR 73824	(-)	VALVE, FUEL CHECK
3	R 27166	(-)	O-RING
4	R 60863	(-)	CONNECTOR, 1/2"-20 X 13/16"-20
5	AR 73888	* (-)	VALVE, FUEL CHECK, COMPLETE

* KIT LISTED BELOW CONTAINS ALL PARTS FOLLOWED BY AN ASTERISK ON THIS PAGE AND PAGE 25-4.
 .. AR 74603 (-) KIT, FUEL CHECK VALVE

FUEL INJECTION PUMP NOZZLES, AND FUEL PIPES
 (6404D ENGINE SERIAL NO. -499999)
 CODE 1602 INJECTION PUMP, REGULAR GOVERNOR
 CODE 1603 INJECTION SYSTEM, 3%-5% GOVERNOR

R24593



R 24593

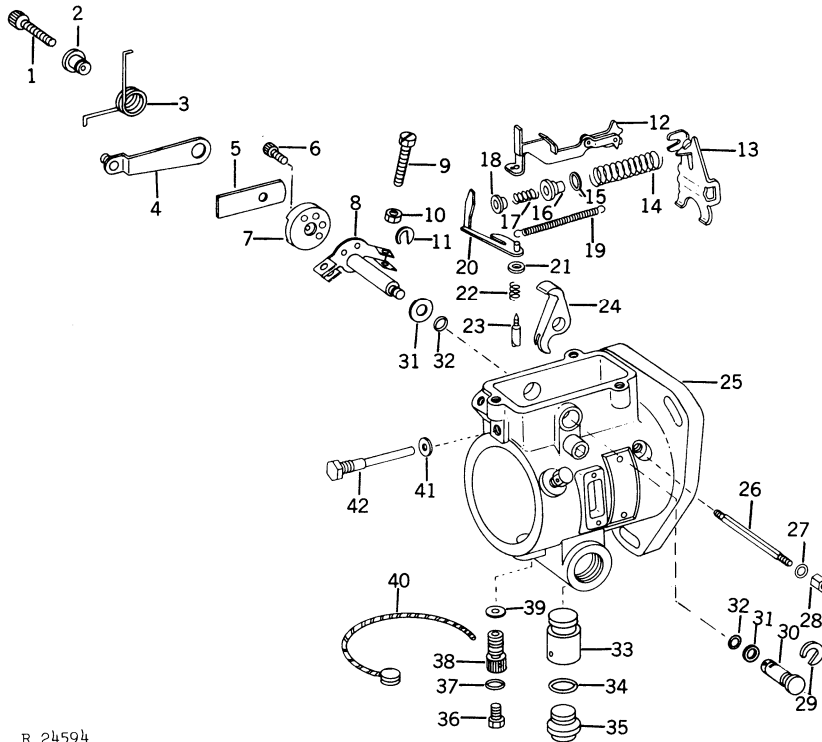
KEY	PART NO.	ENGINE SERIAL NO.	DESCRIPTION
1	R 31147	(-)	CAP, 37° FLARE
2	AR 57262	(-)	PIPE, FUEL INJECTION LEAK-OFF
3	AR 57260	(-)	PIPE, FUEL INJECTION, NO. 6
4	AR 57259	(-)	PIPE, FUEL INJECTION, NO. 5
5	R 34766	(-)	CLAMP (12 USED)
6	R 34765	(-)	BOOT (6 USED)
7	R 48000	(-)	SEAL (6 USED)
8	R 34764	(-)	WASHER, UPPER (6 USED)
9	AR 50781	(-)	NOZZLE, INJECTOR, WITH BOOT (9.52MM) (ROOSA MASTER NO. 1-18767) (FOR PARTS SEE PAGE 25-28)
10	R 34761	(-)	SPACER (6 USED)
11	R 34760	(-)	CLAMP WITH SCREW (6 USED)
12	19H 1914	(-)	SCREW, CAP, 1/4" X 1" (5 USED)
13	R 26728	(-)	CLAMP, HALF, THREADED
	R 26789	(-)	CLAMP, HALF
	R 26790	(-)	CUSHION
14	AR 57258	(-)	PIPE, FUEL INJECTION, NO. 4
15	AR 57257	(-)	PIPE, FUEL INJECTION, NO. 3
16	AR 57256	(-)	PIPE, FUEL INJECTION, NO. 2
17	AR 57254	(-)	PIPE, FUEL FILTER TO FUEL INJECTION PUMP
18	R 48358	(-)	CLAMP, HALF, THREADED
	R 48360	(-)	CLAMP, HALF
	R 48359	(-)	CUSHION
19	AR 57255	(-)	PIPE, FUEL INJECTION, NO. 1
	R 28789	(-)	CLAMP
20	AR 48236	(-)	CLAMP, HOSE (2 USED)
21	(-)	HOSE, 2-5/8" (67MM) (MAKE FROM R32639)
22	AR 57263	(-)	PIPE, FUEL INJECTION LEAK-OFF TO PUMP
	R 35352	(-)	CONNECTOR, 1/8"-27 NPT X 7/16"-20
23	AR 59115	(-)	SCREW, SPECIAL CAP, WITH WASHER (3 USED)
24	R 54233	(-)	NUT, SPECIAL
25	R 54228	(-)	WASHER
26	AR 55487	(-)	GEAR, FUEL INJECTION DRIVE (MATCHED SET)
27	R 54250	(-)	HUB, GEAR
28	R 54229	(-)	SEAL, PUMP FLANGE
29	24H 1292	(-)	WASHER, 11/32" X 3/4" X .120" (3 USED)
30	14H 785	(-)	NUT, 5/16" (3 USED)
	12H 303	(-)	WASHER, LOCK, 5/16" (3 USED)

FUEL INJECTION PUMP NOZZLES, AND FUEL PIPES - CONTINUED
(6404D ENGINE SERIAL NO. -499999)
CODE 1602 INJECTION PUMP, REGULAR GOVERNOR
CODE 1603 INJECTION SYSTEM, 3%-5% GOVERNOR

KEY	PART NO.	ENGINE SERIAL NO.	CODE	DESCRIPTION
I 31	AR 65465	(- 437914)	1602	PUMP, FUEL INJECTION (ROOSA-MASTER NO. DM2633JTX001 OR DM2633JT2660) (FOR PARTS SEE PAGES 25-8, 25-12, 25-14, 25-16 AND 25-18)
I	AR 65465	(437915 -)	1602	PUMP, FUEL INJECTION (ROOSA-MASTER NO. DM2633MA2872) (FOR PARTS SEE PAGES 25-8, 25-12, 25-14, 25-16 AND 25-18)
	AR 66993	(-)	1603	PUMP, FUEL INJECTION (ROOSA-MASTER NO. DM2633MK2875) (FOR PARTS SEE PAGES 25-10, 25-12, 25-14, 25-16 AND 25-18)
32	R 26286	(-)		O-RING
33	R 27272	(-)		CONNECTOR
* KIT LISTED BELOW CONTAINS ALL PARTS FOLLOWED BY AN ASTERISK ON THIS PAGE AND PAGES 25-6, 25-9, 25-11, 25-12, 25-14, 25-15, 25-16, AND 25-18				
..	AR 63029	(-)		KIT, GASKET OVERHAUL

FUEL INJECTION PUMP LINKAGE
(6404D ENGINE SERIAL NO. -499999)
CODE 1602 INJECTION SYSTEM, REGULAR GOVERNOR

R24594



R 24594

KEY	PART NO.	ENGINE SERIAL NO.	DESCRIPTION
1	T 19859	(-)	SCREW, THROTTLE LEVER SPRING
2	T 17950	(-)	RETAINER, THROTTLE LEVER
3	T 17949	(-)	SPRING, THROTTLE LEVER
4	AR 46843	(-)	LEVER, THROTTLE
5	T 19860	(-)	ARM, ADJUSTING
6	T 11917	(-)	SCREW, ADJUSTING LEVER
7	T 19861	(-)	SPACER, ARM
8	AR 51717	(-)	SHAFT, THROTTLE
9	T 11920	(-)	SCREW, LEVER ADJUSTING
10	T 11921	(-)	NUT, ADJUSTING SCREW (2 USED)
11	T 11929	(-)	CLIP, SHAFT RETAINING
12	AR 51719	(-)	HOOK, LINKAGE
	AR 28602	(-)	LINK, GOVERNOR HOOK, ADJUSTING
	R 30719	(-)	WASHER, GOVERNOR LINK HOOK
	R 30718	(-)	SCREW, GOVERNOR LINK HOOK
	R 48516	(-)	HOOK, GOVERNOR LINKAGE
13	R 54245	(-)	ARM, GOVERNOR
14	R 41203	(-)	SPRING, GOVERNOR CONTROL
15	T 17952	(-)	SPACER, GOVERNOR SPRING
16	T 11924	(-)	RETAINER, SPRING
17	T 11913	(-)	SPRING, IDLING
18	T 11914	(-)	GUIDE, IDLING SPRING
19	T 11911	(-)	SPRING, GOVERNOR LINKAGE
20	AR 30736	(-)	ARM, METERING VALVE
21	R 30732	(-)	SHIM, METERING VALVE
22	R 58422	(-)	SPRING, METERING VALVE
23	R 54238	(-)	VALVE, METERING
24	T 11927	(-)	LEVER, THROTTLE SHAFT
25	AR 61989	(-)	HOUSING, PUMP
26	T 11925	(-)	SHAFT, PIVOT

FUEL INJECTION PUMP LINKAGE - CONTINUED
(6404D ENGINE SERIAL NO. -499999)
CODE 1602 INJECTION SYSTEM, REGULAR GOVERNOR

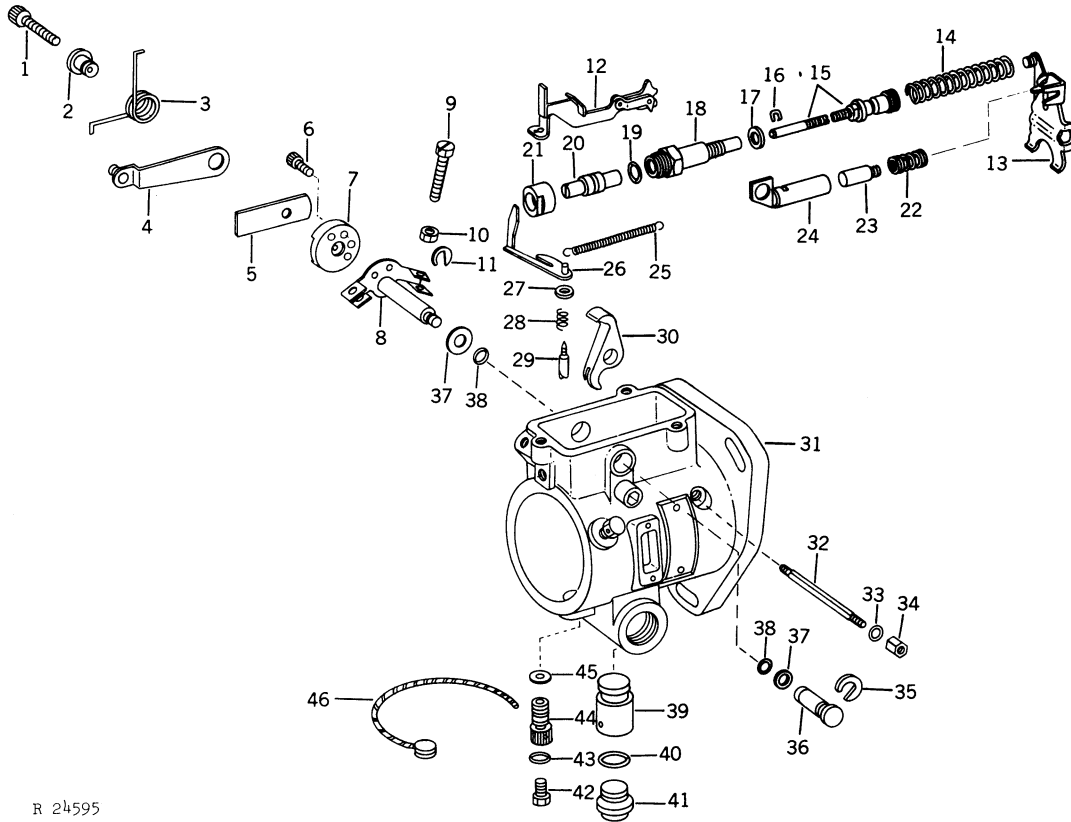
KEY	PART NO.		ENGINE SERIAL NO.	DESCRIPTION
I 27	R 34812	*	(-)	SEAL, PIVOT SHAFT (2 USED)
28	T 11932		(-)	NUT, PIVOT SHAFT (2 USED)
29	T 11929		(-)	CLIP, SHAFT RETAINING
30	R 48515		(-)	SHAFT, SHUT-OFF
31	T 11915	*	(-)	SEAL, THROTTLE SHAFT (2 USED)
32	T 15720	*	(-)	WASHER, THROTTLE SHAFT (2 USED)
33	R 40703		(-)	SCREW, CAM LOCATING
34	T 15712	*	(-)	SEAL, ADVANCE PLUG
35	R 40707		(-)	PLUG, ADVANCE
36	R 54254		(-)	SCREW, SPECIAL
37	T 17951	*	(-)	SEAL
38	R 54251		(-)	SCREW, SPECIAL
39	T 11899	*	(-)	SEAL, HEAD LOCATING SCREW
40	T 11877		(-)	WIRE, SEALING
41	T 11943		(-)	WASHER, GUIDE STUD
42	T 11923		(-)	STUD, GUIDE
I ..	AR 65465		(- 437914)	PUMP, FUEL INJECTION (ROOSA-MASTER NO. DM2633JTX001 OR DM2633JT2660) (FOR PARTS SEE PAGES 25-12, 25-14, 25-16 AND 25-18)
I ..	AR 65465		(437915 -)	PUMP, FUEL INJECTION (ROOSA-MASTER NO. DM2633MA2872) (FOR PARTS SEE PAGES 25-12, 25-14, 25-16 AND 25-18)

* KIT LISTED BELOW CONTAINS ALL PARTS FOLLOWED BY AN ASTERISK ON THIS PAGE AND PAGES 25-6, 25-11, 25-12, 25-14, 25-15, 25-16 AND 25-18

..	AR 63029	(-)	KIT, GASKET OVERHAUL
----	----------	-------	----------------------

FUEL INJECTION PUMP LINKAGE
(6404D ENGINE SERIAL NO. -499999)
CODE 1603 INJECTION SYSTEM, 3%-5% GOVERNOR

R24595



R 24595

KEY	PART NO.	ENGINE SERIAL NO.	DESCRIPTION
1	T 19859	(-)	SCREW, THROTTLE LEVER SPRING
2	T 17950	(-)	RETAINER, THROTTLE LEVER
3	T 17949	(-)	SPRING, THROTTLE LEVER
4	AR 46843	(-)	LEVER, THROTTLE
5	T 19860	(-)	ARM, ADJUSTING
6	T 11917	(-)	SCREW, ADJUSTING LEVER
7	T 19861	(-)	SPACER, ARM
8	AR 71186	(-)	SHAFT, THROTTLE
9	T 11920	(-)	SCREW, LEVER ADJUSTING
10	T 11921	(-)	NUT, ADJUSTING SCREW (2 USED)
11	T 11929	(-)	CLIP, SHAFT RETAINING
12	AR 73614	(-)	HOOK LINKAGE
	AR 73612	(-)	LINK, GOVERNOR HOOK, ADJUSTING
	R 30719	(-)	WASHER, GOVERNOR LINK HOOK
	R 30718	(-)	SCREW, GOVERNOR LINK HOOK
	R 48516	(-)	HOOK, GOVERNOR LINKAGE
13	AR 73609	(-)	ARM, GOVERNOR, ASSEMBLY
14	R 60710	(-)	SPRING, CONTROL
15	AR 73607	(-)	ROD, CONTROL, ASSEMBLY
16	R 57871	(-)	PIN, CONTROL SPRING
17	T 11943	(-)	WASHER, CONTROL ROD GUIDE
18	R 60711	(-)	GUIDE, CONTROL ROD
19	T 26256	(-)	SEAL, ADJUSTING CAP
20	AR 73608	(-)	CAP, ADJUSTING
21	R 60713	(-)	CAP, DROOP CONTROL LOCKING
22	R 60712	(-)	SPRING, DAMPER
23	AR 73610	(-)	PISTON, DAMPER
24	AR 73611	(-)	BARREL, DAMPER
25	T 11911	(-)	SPRING, GOVERNOR LINKAGE
26	AR 30736	(-)	ARM, METERING VALVE

FUEL INJECTION PUMP LINKAGE - CONTINUED
(6404D ENGINE SERIAL NO. -499999)
CODE 1603 INJECTION SYSTEM, 3%-5% GOVERNOR

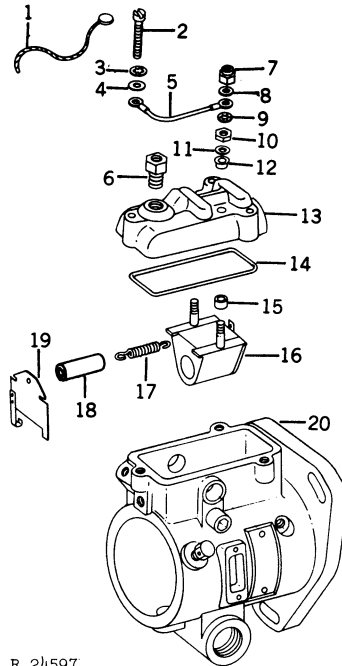
KEY	PART NO.	ENGINE SERIAL NO.	DESCRIPTION
27	R 30732	(-)	SHIM, METERING VALVE
28	R 58422	(-)	SPRING, METERING VALVE
29	R 60714	(-)	VALVE, METERING
30	T 11927	(-)	LEVER, THROTTLE SHAFT
31	AR 61989	(-)	HOUSING, PUMP
32	T 11925	(-)	SHAFT, PIVOT
I 33	R 34812	* (-)	SEAL, PIVOT SHAFT (2 USED)
34	T 11932	(-)	NUT, PIVOT SHAFT (2 USED)
35	T 11929	(-)	CLIP, SHAFT RETAINING
36	R 59079	(-)	SHAFT, SHUT-OFF
37	T 11915	* (-)	SEAL, THROTTLE SHAFT (2 USED)
38	T 15720	* (-)	WASHER, THROTTLE SHAFT (2 USED)
39	R 40703	(-)	SCREW, CAM LOCATING
40	T 15712	* (-)	SEAL, ADVANCE PLUG
41	R 40707	(-)	PLUG, ADVANCE
42	R 54254	(-)	SCREW, SPECIAL
43	T 17951	* (-)	SEAL
44	R 54251	(-)	SCREW, SPECIAL
45	T 11899	* (-)	SEAL, HEAD LOCATING SCREW
46	T 11877	(-)	WIRE, SEALING
..	AR 66993	(-)	PUMP, FUEL INJECTION (ROOSA-MASTER NO. DM2633MK2875) (FOR PARTS SEE PAGES 25-12, 25-14, 25-16 AND 25-18)

* KIT LISTED BELOW CONTAINS ALL PARTS FOLLOWED BY AN ASTERISK ON THIS PAGE AND PAGES 25-6, 25-9, 25-12, 25-14, 25-15, 25-16 AND 25-18

.. AR 63029 (-) KIT, GASKET OVERHAUL

FUEL INJECTION PUMP ELECTRIC SHUT-OFF
(6404D ENGINE SERIAL NO. -499999)
CODE 1602 INJECTION SYSTEM, REGULAR GOVERNOR
CODE 1603 INJECTION SYSTEM, 3%-5% GOVERNOR

R24597



R 24597

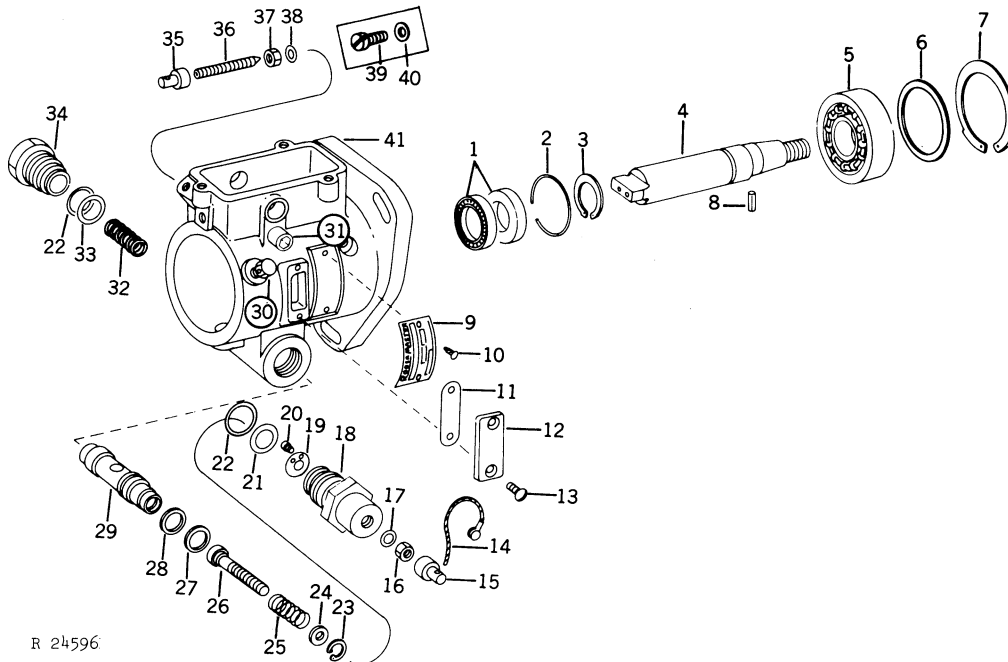
KEY	PART NO.	ENGINE SERIAL NO.	CODE	DESCRIPTION
1	T 11877	(-)		WIRE, SEALING
2	T 15721	(-)		SCREW, SPECIAL MACHINE (3 USED)
3	12H 295	(-)		WASHER, LOCK, INTERNAL TOOTH, NO. 10 (3 USED)
4	T 15715	(-)		WASHER, PLAIN (3 USED)
5	AR 49542	(-)		WIRE ASSEMBLY
6	R 36535	(-)		CONNECTOR
7	T 19977	(-)		NUT, LOCK, TERMINAL CONTACT (2 USED)
8	R 47049	(-)		WASHER, PLAIN
9	R 47077	(-)		WASHER, LOCK, INTERNAL TOOTH
10	T 11938	(-)		NUT, TERMINAL CONTACT (2 USED)
11	R 47049	(-)		WASHER, PLAIN (2 USED)
12	T 11936	(-)		WASHER, INSULATING (2 USED)
13	T 11919	(-)		COVER
14	T 11918	(-)		PACKING
15	T 11937	(-)		TUBE, COVER INSULATING (2 USED)
16	AR 48219	(-)		SOLENOID
17	T 11935	(-)		SPRING, SHUT-OFF ARM
18	R 48795	(-)		TUBE
19	AT 11924	(-)	1602	ARM, SHUT-OFF
	AR 73613	(-)	1603	ARM, SHUT-OFF
20	AR 61989	(-)		HOUSING, PUMP
I ..	AR 65465	(- 437914)	1602	PUMP, FUEL INJECTION (ROOSA-MASTER NO. DM2633JTX001 OR DM26334T2660) (FOR PARTS SEE PAGES 25-8, 25-14, 25-16 AND 25-18)
I ..	AR 65465	(437915 -)	1602	PUMP, FUEL INJECTION (ROOSA-MASTER NO. DM2633MA2872) (FOR PARTS SEE PAGES 25-8, 25-14, 25-16 AND 25-18)
..	AR 66993	(-)	1603	PUMP, FUEL INJECTION (ROOSA-MASTER NO. DM2633MK2875) (FOR PARTS SEE PAGES 25-10, 25-14, 25-16 AND 25-18)
..	AR 63029	(-)		KIT, GASKET OVERHAUL

* KIT LISTED BELOW CONTAINS ALL PARTS FOLLOWED BY AN ASTERISK ON THIS PAGE AND PAGES 25-6, 25-9, 25-11, 25-14, 25-15, 25-16 AND 25-18

MEMORANDA

FUEL INJECTION PUMP HOUSING DRIVE SHAFT AND AUTOMATIC ADVANCE
 (6404D ENGINE SERIAL NO. -499999)
 CODE 1602 INJECTION SYSTEM, REGULAR GOVERNOR
 CODE 1603 INJECTION SYSTEM, 3%-5% GOVERNOR

R24596



R 24596

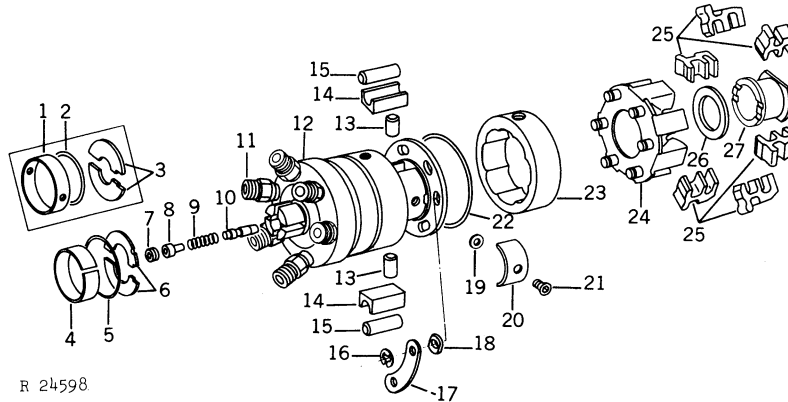
KEY	PART NO.	ENGINE SERIAL NO.	DESCRIPTION
1	AR 72052	*	SEAL, DRIVE SHAFT (2 USED)
2	R 54225	(-)	RING, SEAL RETAINING
3	R 54227	(-)	RING, RETAINING
4	R 54243	(-)	SHAFT, DRIVE
5	AR 61990	(-)	BEARING, BALL
6	R 54235	(-)	WASHER, DRIVE SHAFT SPRING
7	R 54230	(-)	RING, RETAINING
8	R 54232	(-)	PIN, SPRING
9	T 11875	(-)	PLATE, NAME
10	T 11876	(-)	SCREW, NAME PLATE (2 USED)
11	T 11883	*	GASKET, TIMING LINE COVER
12	T 11882	(-)	COVER, TIMING LINE
13	R 54260	(-)	SCREW, SPECIAL (2 USED)
14	T 11877	(-)	WIRE, SEALING
15	T 17117	(-)	CAP, ADJUSTING SCREW
16	T 17122	(-)	NUT, ADJUSTING SCREW
17	T 11915	*	SEAL, ADJUSTING SCREW
18	R 54255	(-)	PLUG, PISTON CONTROL
19	R 56484	(-)	VALVE, REED
20	R 54224	(-)	SCREW, SOCKET CAP (2 USED)
21	T 17135	(-)	SEAL, PISTON HOLE PLUG
22	T 15710	*	SEAL, PISTON HOLE PLUG (2 USED)
23	R 48523	(-)	RING, RETAINING
24	R 48517	(-)	WASHER, ADVANCE TRIMMER SPRING
25	T 17119	(-)	SPRING, ADVANCE TRIMMER
26	R 48521	(-)	SCREW, ADVANCE ADJUSTING
27	R 49211	(-)	RING, PISTON
28	R 34635	*	SEAL, PISTON RING
29	R 54247	(-)	PISTON, ADVANCE
30	R 30714	(-)	SCREW, HEAD LOCKING
31	R 54627	(-)	SCREW, SOCKET CAP (2 USED)
32	R 36648	(-)	SPRING, ADVANCE
33	R 56396	*	SEAL, PISTON HOLE PLUG

FUEL INJECTION PUMP HOUSING DRIVE SHAFT AND AUTOMATIC ADVANCE - CONT.
 (6404D ENGINE SERIAL NO. -499999)
 CODE 1602 INJECTION SYSTEM, REGULAR GOVERNOR
 CODE 1603 INJECTION SYSTEM, 3%-5% GOVERNOR

KEY	PART NO.	ENGINE SERIAL NO.	CODE	DESCRIPTION
34	R 48520	(-)		PLUG, PISTON HOLE
35	T 17117	(-)	1602	CAP, TORQUE SCREW
36	T 17124	(-)	1602	SCREW, TORQUE
37	T 17122	(-)	1602	NUT, TORQUE SCREW
38	T 11915	* (-)	1602	SEAL, TORQUE SCREW
39	T 11930	(-)	1603	SCREW, TORQUE
40	T 11878	(-)	1603	SEAL, TORQUE SCREW
41	AR 61989	(-)		HOUSING PUMP
I ..	AR 65465	(- 437914)	1602	PUMP, FUEL INJECTION (ROOSA-MASTER NO. DM26334TX001 OR DM26334T2660) (FOR PARTS SEE PAGES 25-8, 25-12, 25-16 AND 25-18)
I ..	AR 65465	(437915 -)	1602	PUMP, FUEL INJECTION (ROOSA-MASTER NO. DM2633MA2872) (FOR PARTS SEE PAGES 25-8, 25-12, 25-16 AND 25-18)
..	AR 66993	(-)	1603	PUMP, FUEL INJECTION (ROOSA-MASTER NO. DM2633MK2875) (FOR PARTS SEE PAGES 25-10, 25-12, 25-16 AND 25-18)
* KIT LISTED BELOW CONTAINS ALL PARTS FOLLOWED BY AN ASTERISK ON THIS PAGE AND PAGES 25-6, 25-9, 25-11, 25-12, 25-14, 25-16 AND 25-18)				
..	AR 63029	(-)		KIT, GASKET OVERHAUL

FUEL INJECTION PUMP HYDRAULIC HEAD, ROTOR AND GOVERNOR
 (6404D ENGINE SERIAL NO. -499999)
CODE 1602 INJECTION SYSTEM, REGULAR GOVERNOR
CODE 1603 INJECTION SYSTEM, 3%-5% GOVERNOR

R24598



R 24598

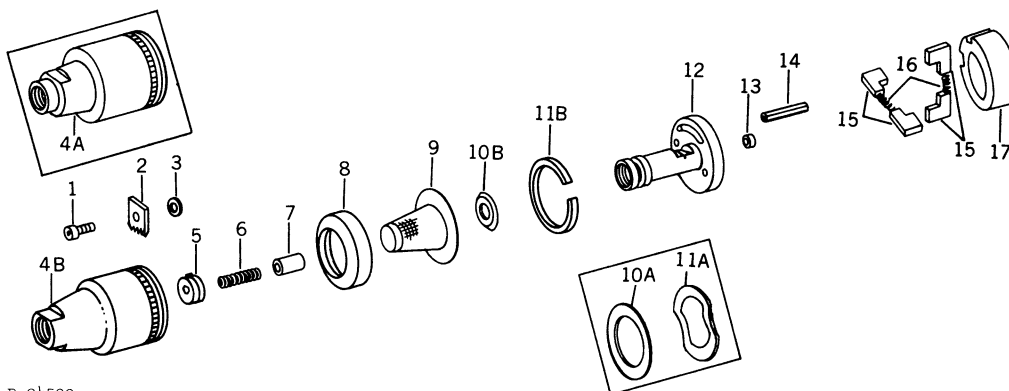
KEY	PART NO.	ENGINE SERIAL NO.	DESCRIPTION
1	R 54257	(- 437914)	RING, LINER LOCATING
2	T 26236	(- 437914)	SEAL, TRANSFER PUMP
3	R 54248	(- 437914)	RETAINER, ROTOR (2 USED)
4	R 61122	(437915 -)	RING, LINER LOCATING
5	R 61124	* (437915 -)	SEAL, TRANSFER PUMP
6	R 61121	(437915 -)	RETAINER, ROTOR (2 USED)
7	R 30737	(-)	SCREW, DELIVERY VALVE STOP
8	T 26223	(-)	STOP, DELIVERY VALVE
9	R 30735	(-)	SPRING, DELIVERY VALVE
10	R 36551	(-)	VALVE, DELIVERY
	R 36552	(-)	VALVE, DELIVERY (OVERSIZE)
11	R 57137	(-)	CONNECTOR, FUEL LINE
12	AR 61994	(-)	HEAD AND ROTOR, HYDRAULIC, ASSEMBLY
	T 11926	(-)	SCREW, HEAD PLUG
	R 30725	(-)	SCREW, HEAD PLUG
	R 54626	(-)	WIRE, VENT
13	R 36547	(-)	PLUNGER, ROTOR "A" (2 USED)
	R 36548	(-)	PLUNGER, ROTOR "B" (2 USED)
	R 36549	(-)	PLUNGER, ROTOR "C" (2 USED)
	R 36550	(-)	PLUNGER, ROTOR "D" (2 USED)
14	R 56483	(-)	SHOE, CAM ROLLER (2 USED)
15	T 11886	(-)	ROLLER, CAM (2 USED)
16	R 54242	* (-)	RING, RETAINING (6 USED)
17	R 54252	(-)	RETAINER, CUSHION (3 USED)
18	R 54249	(-)	CUSHION, GOVERNOR WEIGHT TRANSFER (6 USED)
19	T 31124	(-)	SHIM, .005" (0.13MM) (USE AS REQUIRED)
	T 31125	(-)	SHIM, .006" (0.15MM) (USE AS REQUIRED)
	T 31126	(-)	SHIM, .007" (0.18MM) (USE AS REQUIRED)
	T 31127	(-)	SHIM, .008" (0.20MM) (USE AS REQUIRED)
	T 31128	(-)	SHIM, .009" (0.23MM) (USE AS REQUIRED)
20	T 11888	(-)	SPRING, LEAF
21	T 11887	* (-)	SCREW, LEAF SPRING
22	T 11891	(-)	SEAL, HEAD
23	R 48531	(-)	RING, CAM
24	AR 61993	(-)	RETAINER, GOVERNOR WEIGHT
25	R 54239	(-)	WEIGHT, GOVERNOR (6 USED)
26	R 54240	(-)	WASHER, GOVERNOR SLEEVE THRUST
27	R 54241	(-)	SLEEVE, GOVERNOR THRUST

FUEL INJECTION PUMP HYDRAULIC HEAD, ROTOR AND GOVERNOR - CONTINUED
(6404D ENGINE SERIAL NO. -499999)
CODE 1602 INJECTION SYSTEM, REGULAR GOVERNOR
CODE 1603 INJECTION SYSTEM, 3%-5% GOVERNOR

KEY	PART NO.	ENGINE SERIAL NO.	CODE	DESCRIPTION
..	AR 65465	(- 437914)	1602	PUMP, FUEL INJECTION (ROOSA-MASTER NO. DM2633JTX001 OR DM2633JT2660) (FOR PARTS SEE PAGES 25-8, 25-12, 25-14 AND 25-18)
..	AR 65465	(437915 -)	1602	PUMP, FUEL INJECTION (ROOSA-MASTER NO. DM2633MA2872) (FOR PARTS SEE PAGES 25-8, 25-12, 25-14 AND 25-18)
..	AR 66993	(-)	1603	PUMP, FUEL INJECTION (ROOSA-MASTER NO. DM2633MK2875) (FOR PARTS SEE PAGES 25-10, 25-12, 25-14 AND 25-18)
* KIT LISTED BELOW CONTAINS ALL PARTS FOLLOWED BY AN ASTERISK ON THIS PAGE AND PAGES 25-6, 25-9, 25-11, 25-12, 25-14, 25-15, 25-16 AND 25-18				
..	AR 63029	(-)		KIT, GASKET OVERHUAL

FUEL INJECTION PUMP TRANSFER PUMP
(6404D ENGINE SERIAL NO. -499999)
CODE 1602 INJECTION SYSTEM, REGULAR GOVERNOR
CODE 1603 INJECTION SYSTEM, 3%-5% GOVERNOR

R24599



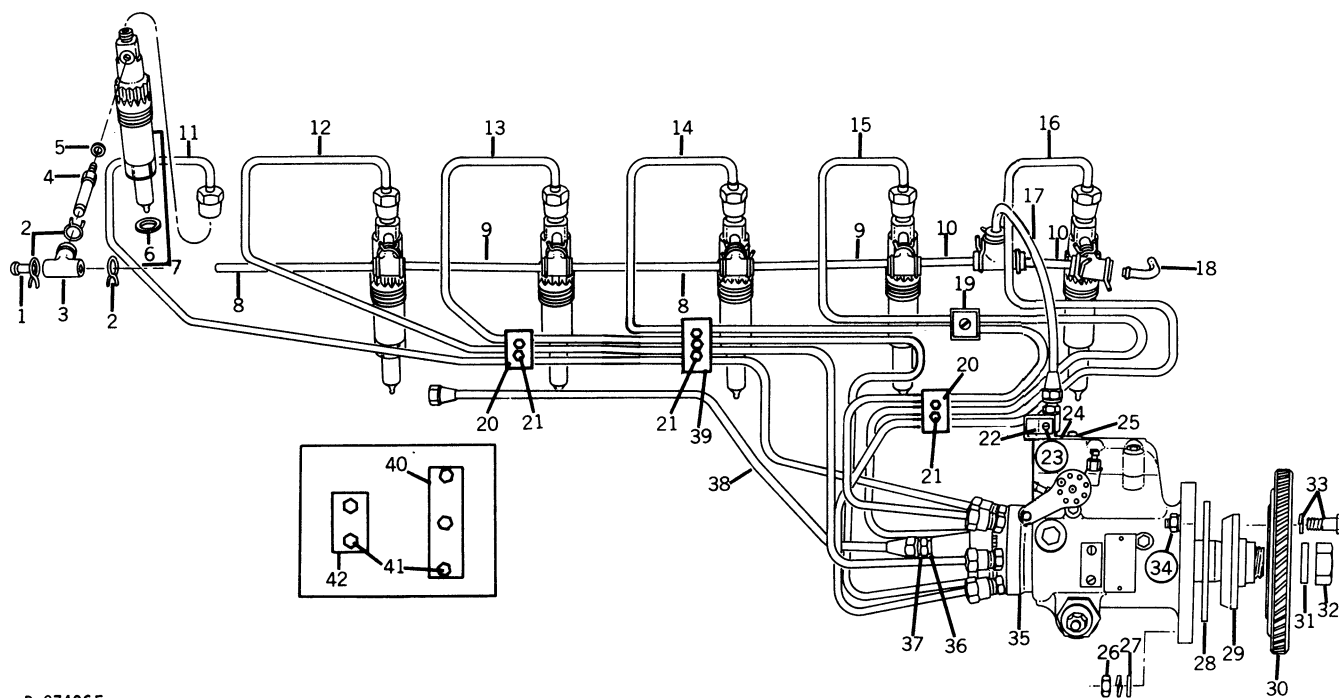
R 24599

KEY	PART NO.	ENGINE SERIAL NO.	CODE	DESCRIPTION
1	R 54261	(-)		SCREW, LOCKING PLATE
2	R 54259	(-)		PLATE, LOCK
3	R 54628	(-)		WASHER
4A	R 57599	(- 437914)		CAP, TRANSFER PUMP END
4B	R 61123	(437915 -)		CAP, TRANSFER PUMP END
5	R 34623	(-)		PLUG, END PLATE
6	R 54237	(-)		SPRING, REGULATING
7	R 54253	(-)		PISTON, REGULATING
8	R 54222	* (-)		SEAL, INLET FILTER SCREEN
9	R 54223	(- 437914)		SCREEN, INLET FILTER
	R 61118	(437915 -)		SCREEN, INLET FILTER
10A	R 54246	(- 437914)		WASHER, FILTER SCREEN RETAINING
10B	R 61120	(437915 -)		WASHER, FILTER SCREEN RETAINING
11A	R 54234	(- 437914)		WASHER, TRANSFER PUMP SPRING
11B	R 61119	(437915 -)		WASHER, TRANSFER PUMP SPRING
12	AR 61995	(-)		REGULATOR, TRANSFER PUMP
13	R 54231	* (-)		SEAL, TRANSFER PUMP REGULATING SLEEVE
14	R 54226	(-)		PIN, SPRING
15	AR 73828	(-)		BLADE, TRANSFER PUMP, STANDARD
	AR 73829	(-)		BLADE, TRANSFER PUMP, OVERSIZE
	R 34630	(-)		SPRING (2 USED)
	R 54244	(-)		LINER, TRANSFER PUMP
I ..	AR 65465	(- 437914)	1602	PUMP, FUEL INJECTION (ROOSA-MASTER NO. DM2633JTX001 OR DM2633JT2660) (FOR PARTS SEE PAGES 25-8, 25-12, 25-14 AND 25-16)
I ..	AR 65465	(437915 -)	1602	PUMP, FUEL INJECTION (ROOSA-MASTER NO. DM2633MA2872) (FOR PARTS SEE PAGES 25-8, 25-12, 25-14 AND 25-16)
..	AR 66993	(-)	1603	PUMP, FUEL INJECTION (ROOSA-MASTER NO. DM2633MK2875) (FOR PARTS SEE PAGES 25-10, 25-12, 25-14 AND 25-16)
..	AR 63029	(-)		KIT, GASKET OVERHAUL

* KIT LISTED BELOW CONTAINS ALL PARTS FOLLOWED BY AN ASTERISK ON THIS PAGE AND PAGES 25-6, 25-9, 25-11, 25-12, 25-14, 25-15 AND 25-16

MEMORANDA

FUEL INJECTION PUMP, NOZZLES AND FUEL PIPES
 (6404D ENGINE SERIAL NO. 50000-)
CODE 1602 INJECTION SYSTEM, REGULAR GOVERNOR



R 27406F

KEY	PART NO.	ENGINE SERIAL NO.	DESCRIPTION
1	16H 644	(-)	RIVET, PAN HD.
2	R 34766	(-)	CLAMP (21 USED)
3	T 23425	(-)	BOOT, NOZZLE LEAK-OFF (7 USED)
4	R 59293	(-)	CONNECTOR, SPECIAL (6 USED)
5	R 59294	(-)	WASHER, ALUMINUM (6 USED)
6	R 59104	(-)	WASHER, ALUMINUM (6 USED)
7	AR 79686	(-)	NOZZLE, FUEL INJECTION WITH WASHER AND O-RING (6 USED) (FOR PARTS SEE PAGE 25-29)
8	R 60877	(-)	TUBE, FUEL INJECTION LEAK-OFF (2 USED)
9	R 60876	(-)	TUBE, FUEL INJECTION LEAK-OFF (2 USED)
10	R 62245	(-)	TUBE, FUEL INJECTION LEAK-OFF (2 USED)
11	AR 70658	(-)	PIPE, FUEL INJECTION, NO. 6
12	AR 70657	(-)	PIPE, FUEL INJECTION, NO. 5
13	AR 70656	(-)	PIPE, FUEL INJECTION, NO. 4
14	AR 70655	(-)	PIPE, FUEL INJECTION, NO. 3
15	AR 70654	(-)	PIPE, FUEL INJECTION, NO. 2
16	AR 70653	(-)	PIPE, FUEL INJECTION, NO. 1
17	AR 76885	(-)	PIPE, FUEL INJECTION LEAK-OFF TO PUMP
	R 35352	(-)	CONNECTOR
18	R 54088	(-)	TUBE, FUEL INJECTION LEAK-OFF TO TANK
19	R 58186	(-)	CLAMP, HALF (2 USED)
	R 61144	(-)	RETAINER, CLAMP
	R 59305	(-)	REINFORCEMENT
	12H 1312	(-)	SCREW, MACH., NO. 10
	12H 246	(-)	WASHER, LOCK, NO. 10
20	R 48358	(-)	CLAMP, HALF, THREADED
	R 48360	(-)	CLAMP, HALF
	R 48359	(-)	CUSHION
20	R 59297	(XXXXX-)	CLAMP, HALF (4 USED)
	R 59298	(XXXXX-)	REINFORCEMENT (2 USED)
	R 61145	(XXXXX-)	RETAINER, CLAMP, THREADED (2 USED)

THIS PARTS LISTING IS CONTINUED
 OEM ENGINES AND ACCESSORIES - 6404D, 6404T, AND 6404A PC-1554 (10-DEC-76) LITHO IN U.S.A.

FUEL INJECTION PUMP, NOZZLES AND FUEL PIPES - CONTINUED
(6404D ENGINE SERIAL NO. 500000-)
CODE 1602 INJECTION SYSTEM, REGULAR GOVERNOR

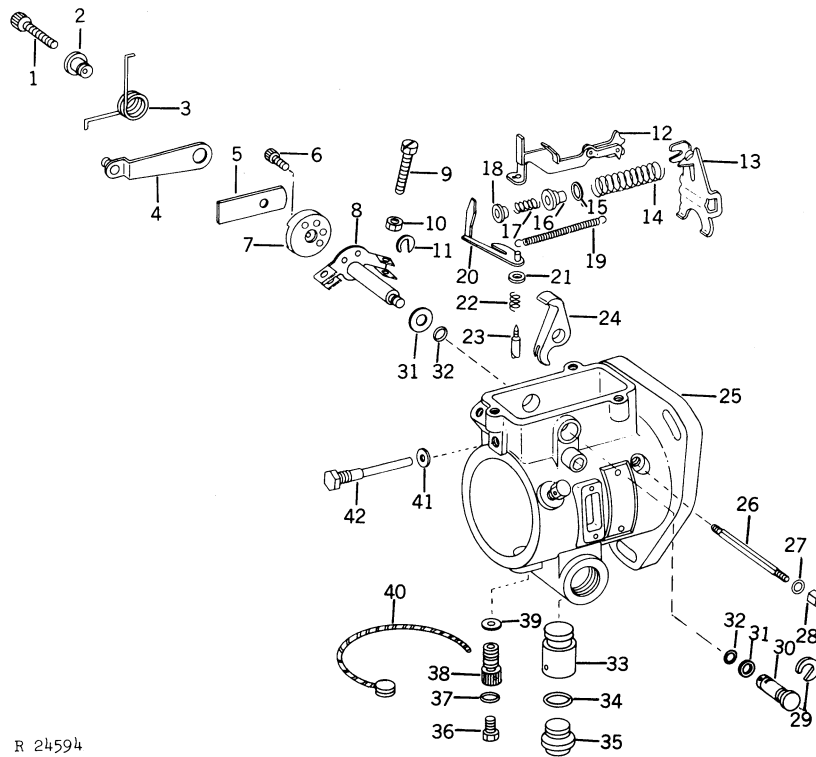
KEY	PART NO.	ENGINE SERIAL NO.	DESCRIPTION
I 21	19H 1914	(-)	SCREW, CAP, 1/4" X 1" (5 USED)
I 22	R 53300	(-)	CLIP
I 23	37H 133	(-)	SCREW, TAPPING, NO. 8 X 5/8"
I 24	R 53299	(-)	BRACKET, FUEL SHUT-OFF
I 25	19H 3204	(-)	SCREW, MACH., NO. 10 X 5/8" (2 USED)
I	12H 246	(-)	WASHER, LOCK, NO. 10 (2 USED)
I 26	14H 785	(-)	NUT, 5/16" (3 USED)
I	12H 303	(-)	WASHER, LOCK, 5/16" (3 USED)
I 27	24H 1292	(-)	WASHER, 11/32" X 3/4" X .120" (3 USED)
I 28	R 54229	* (-)	SEAL, PUMP FLANGE
I 29	R 54250	(-)	HUB, GEAR
I 30	AR 55487	(-)	GEAR, FUEL INJECTION DRIVE (MATCHED SET)
I 31	R 54228	(-)	WASHER
I 32	R 54233	(-)	NUT, SPECIAL
I 33	AR 59115	(-)	SCREW, SPECIAL CAP, WITH WASHER (3 USED)
I 34	14H 785	(-)	NUT, 5/16" (3 USED)
I	12H 303	(-)	WASHER, LOCK, 5/16" (3 USED)
I	24H 1292	(-)	WASHER, 11/32" X 3/4" X .120" (3 USED)
I 35	AR 73526	(-)	PUMP, FUEL INJECTION (ROOSA-MASTER NO. DM4629ME2984) (SEE PAGES 25-22 THROUGH 25-27)
I 36	R 26286	(-)	O-RING
I 37	R 27272	(-)	CONNECTOR, 1/2"-20
I 38	AR 74344	(-)	PIPE, FUEL FILTER TO FUEL INJECTION PUMP
I 39	R 26789	(-)	CLAMP, HALF
I	R 26790	(-)	CUSHION
I 39	R 59299	(-)	CLAMP, HALF (2 USED)
I	R 59300	(-)	REINFORCEMENT
I	R 61146	(-)	RETAINER, CLAMP, THREADED
I 40	R 48358	(-XXXXX)	CLAMP, HALF (4 USED)
I	R 48360	(-XXXXX)	CLAMP, HALF
I	R 48359	(-XXXXX)	CUSHION
I 41	19H 1914	(-XXXXX)	SCREW, CAP, 1/4" x 1" (5 USED)
I 42	R 26728	(-XXXXX)	CLAMP, HALF, THREADED
I	R 26789	(-XXXXX)	CLAMP, HALF
I	R 26790	(-XXXXX)	CUSHION

* KIT LISTED BELOW CONTAINS ALL PARTS FOLLOWED BY AN ASTERISK ON THIS PAGE AND PAGES 25-23,
25-24, 25-25, 25-26 AND 25-27.

.. AR 63029 (-) KIT, GASKET OVERHAUL

FUEL INJECTION PUMP LINKAGE
(6404D ENGINE SERIAL NO. 50000-)
CODE 1602 INJECTION SYSTEM, REGULAR GOVERNOR

R24594



R 24594

KEY	PART NO.	ENGINE SERIAL NO.	DESCRIPTION
I 1	T 19859	(-)	SCREW, THROTTLE LEVER SPRING
I 2	T 17950	(-)	RETAINER, THROTTLE LEVER
I 3	T 17949	(-)	SPRING, THROTTLE LEVER
I 4	AR 46843	(-)	LEVER, THROTTLE
I 5	T 19860	(-)	ARM, ADJUSTING
I 6	T 11917	(-)	SCREW, ADJUSTING LEVER
I 7	T 19861	(-)	SPACER, ARM
I 8	AR 51717	(-)	SHAFT, THROTTLE
I 9	T 11920	(-)	SCREW, LEVER ADJUSTING
I 10	T 11921	(-)	NUT, ADJUSTING SCREW (2 USED)
I 11	T 11929	(-)	CLIP, SHAFT RETAINING
I 12	AR 51719	(-)	HOOK, LINKAGE
I	AR 28602	(-)	LINK, GOVERNOR HOOK, ADJUSTING
I	R 30719	(-)	WASHER, GOVERNOR LINK HOOK
I	R 30718	(-)	SCREW, GOVERNOR LINK HOOK
I	R 48516	(-)	HOOK, GOVERNOR LINKAGE
I 13	R 54245	(-)	ARM, GOVERNOR
I 14	R 41203	(-)	SPRING, GOVERNOR CONTROL
I 15	T 17952	(-)	SPACER, GOVERNOR SPRING
I 16	T 11924	(-)	RETAINER, SPRING
I 17	T 11913	(-)	SPRING, IDLING
I 18	T 11914	(-)	GUIDE, IDLING SPRING
I 19	T 11911	(-)	SPRING, GOVERNOR LINKAGE
I 20	AR 30736	(-)	ARM, METERING VALVE
I 21	R 30732	(-)	SHIM, METERING VALVE
I 22	R 58422	(-)	SPRING, METERING VALVE
I 23	R 64311	(-)	VALVE, METERING
I 24	T 11927	(-)	LEVER, THROTTLE SHAFT
I 25	AR 61989	(-)	HOUSING, PUMP
I 26	T 11925	(-)	SHAFT, PIVOT

FUEL INJECTION PUMP LINKAGE - CONTINUED
(6404D ENGINE SERIAL NO. 500000-)
CODE 1602 INJECTION SYSTEM, REGULAR GOVERNOR

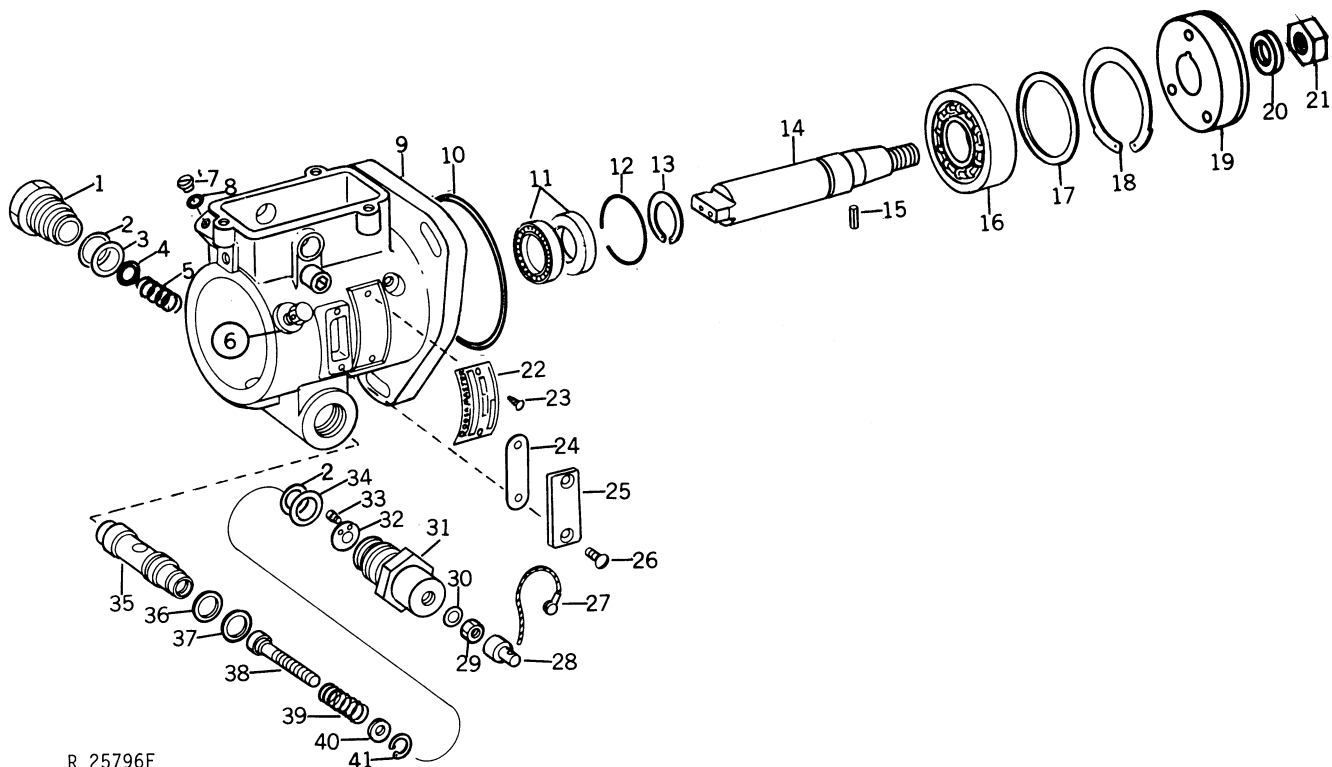
KEY	PART NO.		ENGINE SERIAL NO.	DESCRIPTION
I 27	T 11906	*	(-)	SEAL, PIVOT SHAFT (2 USED)
I 28	T 11932		(-)	NUT, PIVOT SHAFT (2 USED)
I 29	T 11929		(-)	CLIP, SHAFT RETAINING
I 30	R 48515		(-)	SHAFT, SHUT-OFF
I 31	T 11915	*	(-)	SEAL, THROTTLE SHAFT (2 USED)
I 32	T 15720	*	(-)	WASHER, THROTTLE SHAFT (2 USED)
I 33	R 40703		(-)	SCREW, CAM LOCATING
I 34	T 15712	*	(-)	SEAL, ADVANCE PLUG
I 35	R 40707		(-)	PLUG, ADVANCE
I 36	R 54254		(-)	SCREW, SPECIAL
I 37	T 17951	*	(-)	SEAL
I 38	R 54251		(-)	SCREW, SPECIAL
I 39	T 11899	*	(-)	SEAL, HEAD LOCATING SCREW
I 40	T 11877		(-)	WIRE, SEALING
I 41	T 11943		(-)	WASHER, GUIDE STUD
I 42	T 11923		(-)	STUD, GUIDE
I ..	AR 73526		(-)	PUMP, FUEL INJECTION (ROOSA-MASTER NO. DM4629ME2984) (SEE PAGES 25-22, 25-24, 25-25, 25-26 AND 25-27)

* KIT LISTED BELOW CONTAINS ALL PARTS FOLLOWED BY AN ASTERISK ON THIS PAGE AND PAGES 25-21, 25-24,
25-25, 25-26 AND 25-27.

.. AR 63029 (-) KIT, GASKET OVERHAUL

FUEL INJECTION PUMP HOUSING DRIVE SHAFT AND AUTOMATIC ADVANCE
 (6404D ENGINE SERIAL NO. 500000-)
 CODE 1602 INJECTION SYSTEM, REGULAR GOVERNOR

R25796F



R 25796F

KEY	PART NO.	ENGINE SERIAL NO.	DESCRIPTION
I 1	R 48520	(-)	PLUG, PISTON HOLE
I 2	T 15710	* (-)	SEAL, HOLE PLUG (2 USED)
I 3	R 56396	* (-)	SEAL, HOLE PLUG
I 4	T 17144	(-)	SHIM, ADVANCE SPRING, .005" (0.13MM) (USE AS REQUIRED)
I	R 63757	(-)	SHIM, ADVANCE SPRING, .015" (0.38MM) (USE AS REQUIRED)
I	R 63758	(-)	SHIM, ADVANCE SPRING, .032" (0.81MM) (USE AS REQUIRED)
I 5	R 64309	(-)	SPRING, ADVANCE
I 6	R 30714	(-)	SCREW, HEAD LOCKING
I 7	T 11930	(-)	SCREW, PAN HEAD
I 8	T 11878	(-)	SEAL, TORQUE SCREW
I 9	AR 61989	(-)	HOUSING, PUMP
I 10	R 54229	* (-)	SEAL, PUMP FLANGE
I 11	AR 72052	* (-)	SEAL DRIVE SHAFT
I 12	R 54225	(-)	RING, SEAL RETAINING
I 13	R 54227	(-)	RING, RETAINING
I 14	R 59642	(-)	SHAFT, DRIVE
I 15	R 54232	(-)	PIN, SPRING
I 16	AR 61990	(-)	BEARING, BALL
I 17	R 54235	(-)	WASHER, DRIVE SHAFT SPRING
I 18	R 54230	(-)	RING, RETAINING
I 19	R 54250	(-)	HUB, GEAR
I 20	R 54228	(-)	WASHER
I 21	R 54233	(-)	NUT, SPECIAL
I 22	T 11875	(-)	PLATE, NAME
I 23	T 11876	(-)	SCREW, NAME PLATE (2 USED)
I 24	T 11883	* (-)	GASKET, TIMING LINE COVER
I 25	T 11882	(-)	COVER, TIMING LINE
I 26	R 54260	(-)	SCREW, SPECIAL (2 USED)
I 27	T 11877	(-)	WIRE, SEALING
I 28	T 17117	(-)	CAP, ADJUSTING SCREW
I 29	T 17122	(-)	NUT, ADJUSTING SCREW
I 30	T 11915	* (-)	SEAL, ADJUSTING SCREW

THIS PARTS LISTING IS CONTINUED
 OEM ENGINES AND ACCESSORIES - 6404D, 6404T, AND 6404A PC-1554 (10-DEC-76) LITHO IN U.S.A.

FUEL INJECTION PUMP HOUSING DRIVE SHAFT AND AUTOMATIC ADVANCE - CONT.
(6404D ENGINE SERIAL NO. 500000-)
CODE 1602 INJECTION SYSTEM, REGULAR GOVERNOR

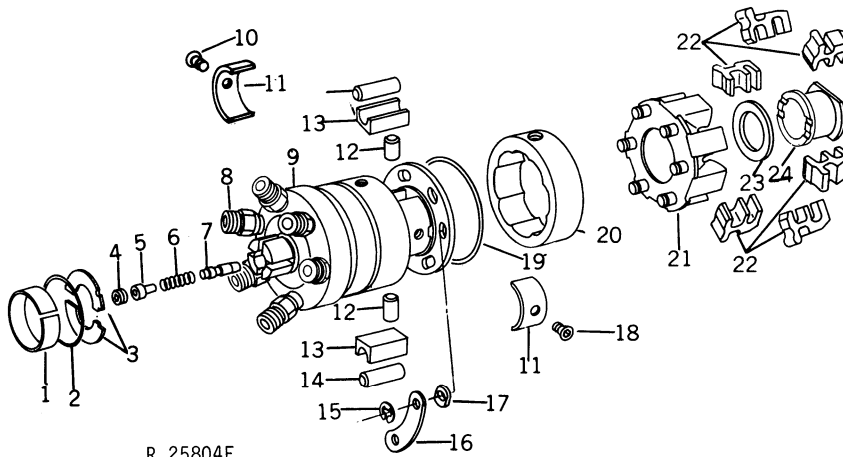
KEY	PART NO.	ENGINE SERIAL NO.	DESCRIPTION
I 31	R 54255	(-)	PLUG, PISTON CONTROL
I 32	R 56484	(-)	VALVE, REED
I 33	R 54224	(-)	SCREW, SPECIAL (2 USED)
I 34	T 17135	* (-)	SEAL, PISTON HOLE PLUG
I 35	R 64310	(-)	PISTON, ADVANCE
I 36	R 34635	* (-)	SEAL, PISTON RING
I 37	R 49211	(-)	RING, PISTON
I 38	R 48521	(-)	SCREW, ADVANCE ADJUSTING
I 39	R 48607	(-)	SPRING, ADVANCE TRIMMER
I 40	R 48517	(-)	WASHER
I 41	R 48523	(-)	RING, RETAINING
I ..	AR 73526	(-)	PUMP, FUEL INJECTION (ROOSA MASTER NO. DM4629ME2984) (SEE PAGES 25-22, 25-23, 25-24, 25-26 AND 25-27)

* KIT LISTED BELOW CONTAINS ALL PARTS FOLLOWED BY AN ASTERISK ON THIS PAGE AND PAGES 25-21, 25-23, 25-24, 25-26 AND 25-27.

..	AR 63029	(-)	KIT, GASKET OVERHAUL
----	----------	-------	----------------------

FUEL INJECTION PUMP HYDRAULIC HEAD, ROTOR, AND GOVERNOR
 (6404D ENGINE SERIAL NO. 500000-)
 CODE 1602 INJECTION SYSTEM, REGULAR GOVERNOR

R25804F



R 25804F

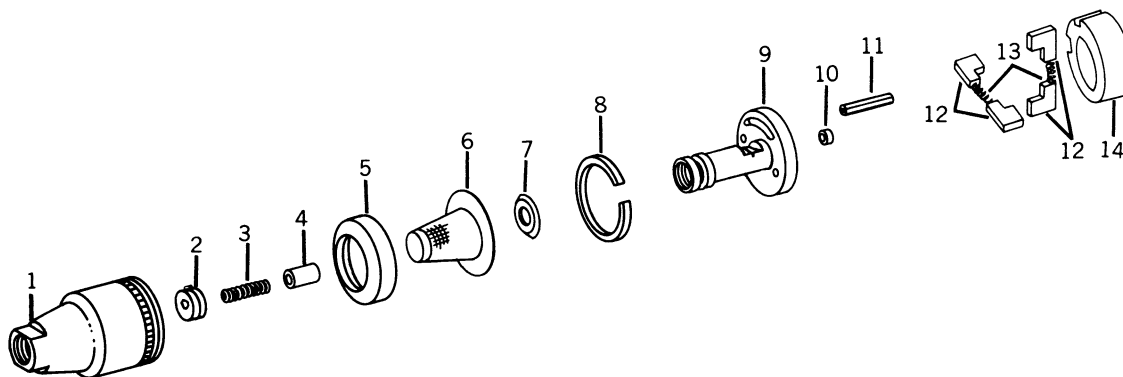
KEY	PART NO.	ENGINE SERIAL NO.	DESCRIPTION
1	R 61122	(-)	RING, LINER LOCATING
2	R 61124	* (-)	SEAL, TRANSFER PUMP
3	R 61121	(-)	RETAINER, ROTOR (2 USED)
	R 54248	(-)	RETAINER, ROTOR (2 USED)
4	R 57809	(-)	SCREW, DELIVERY VALVE STOP
5	R 57810	(-)	STOP, DELIVERY VALVE
6	R 57799	(-)	SPRING, DELIVERY VALVE
7	R 57798	(-)	VALVE, DELIVERY
	R 58077	(-)	VALVE, DELIVERY (OVERSIZE)
8	R 63345	(-)	CONNECTOR, FUEL LINE (6 USED)
9	AR 79957	(-)	HEAD AND ROTOR, HYDRAULIC, ASSEMBLY
	T 11926	(-)	SCREW, HEAD PLUG
	R 30725	(-)	SCREW, HEAD PLUG
	R 54626	(-)	WIRE, VENT
	R 63975	(-)	WIRE, VENT
10	R 48506	(-)	SCREW, LEAF SPRING
11	R 48505	(-)	SPRING, LEAF (2 USED)
12	T 11945	(-)	PLUNGER, ROTOR "A" LONG (2 USED)
	T 11946	(-)	PLUNGER, ROTOR "B" LONG (2 USED)
	T 11947	(-)	PLUNGER, ROTOR "C" LONG (2 USED)
	T 11948	(-)	PLUNGER, ROTOR "D" LONG (2 USED)
	R 64305	(-)	PLUNGER, ROTOR "A" SHORT (2 USED)
	R 64306	(-)	PLUNGER, ROTOR "B" SHORT (2 USED)
	R 64307	(-)	PLUNGER, ROTOR "C" SHORT (2 USED)
	R 64308	(-)	PLUNGER, ROTOR "D" SHORT (2 USED)
13	R 57808	(-)	SHOE, CAM ROLLER (4 USED)
14	T 11886	(-)	ROLLER, CAM (4 USED)
15	R 54242	* (-)	RING, RETAINING (6 USED)
16	R 54252	(-)	RETAINER, CUSHION (3 USED)
17	R 54249	(-)	CUSHION, GOVERNOR WEIGHT RETAINER (6 USED)
18	R 48509	(-)	SCREW, LEAF SPRING
19	T 11891	* (-)	SEAL, HEAD
20	R 48531	(-)	RING, CAM
21	AR 61993	(-)	RETAINER, GOVERNOR WEIGHT
22	R 54239	(-)	WEIGHT, GOVERNOR (6 USED)
23	R 54240	(-)	WASHER, GOVERNOR SLEEVE THRUST
24	R 54241	(-)	SLEEVE, GOVERNOR THRUST
..	AR 73526	(-)	PUMP, FUEL INJECTION (ROOSA MASTER NO. DM4629ME2984) (SEE PAGES 25-22, 25-23, 25-24, 25-25 AND 25-27)

* KIT LISTED BELOW CONTAINS ALL PARTS FOLLOWED BY AN ASTERISK ON THIS PAGE AND PAGES 25-23, 25-24, 25-25 AND 25-27.

.. AR 63029 (-) KIT, GASKET OVERHAUL

FUEL INJECTION PUMP TRANSFER PUMP
(6404D ENGINE SERIAL NO. 500000-)
CODE 1602 INJECTION SYSTEM, REGULAR GOVERNOR

R25805F



R 25805F

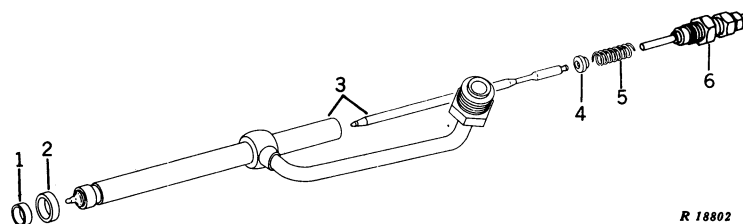
KEY	PART NO.	ENGINE SERIAL NO.	DESCRIPTION
I 1	R 61123	(-)	CAP, TRANSFER PUMP END
I 2	R 34623	(-)	PLUG, END PLATE
I 3	R 54237	(-)	SPRING, REGULATING
I 4	R 54253	(-)	PISTON, REGULATING
I 5	R 54222	* (-)	SEAL, INLET FILTER SCREEN
I 6	R 61118	(-)	SCREEN, INLET FILTER
I 7	R 61120	(-)	WASHER, FILTER SCREEN RETAINING
I	R 54246	(-)	WASHER, SPECIAL
I 8	R 61119	(-)	WASHER, TRANSFER PUMP SPRING
I 9	AR 61995	(-)	REGULATOR, TRANSFER PUMP
I 10	R 54231	* (-)	SEAL, TRANSFER PUMP REGULATING SLEEVE
I 11	R 54226	(-)	PIN, SPRING
I 12	AR 73828	(-)	BLADES, TRANSFER PUMP (PKG. OF 4) (1 USED)
I	AR 73829	(-)	BLADES, TRANSFER PUMP, OVERSIZE (PKG. OF 4) (1 USED)
I 13	R 34630	(-)	SPRING (2 USED)
I 14	R 54244	(-)	LINER, TRANSFER PUMP
I ..	AR 73526	(-)	PUMP, FUEL INJECTION (ROOSA MASTER NO. DM4629ME2984) (SEE PAGES 25-22, 25-23, 25-24, 25-25 AND 25-26)

* KIT LISTED BELOW CONTAINS ALL PARTS FOLLOWED BY AN ASTERISK ON THIS PAGE AND PAGES 25-23, 25-24, 25-25 AND 25-26.

.. AR 63029 (-) KIT, GASKET OVERHAUL

**INJECTOR NOZZLE (9.52MM) (ROOSA-MASTER)
(6404D ENGINE SERIAL NO. -499999)**

R18802

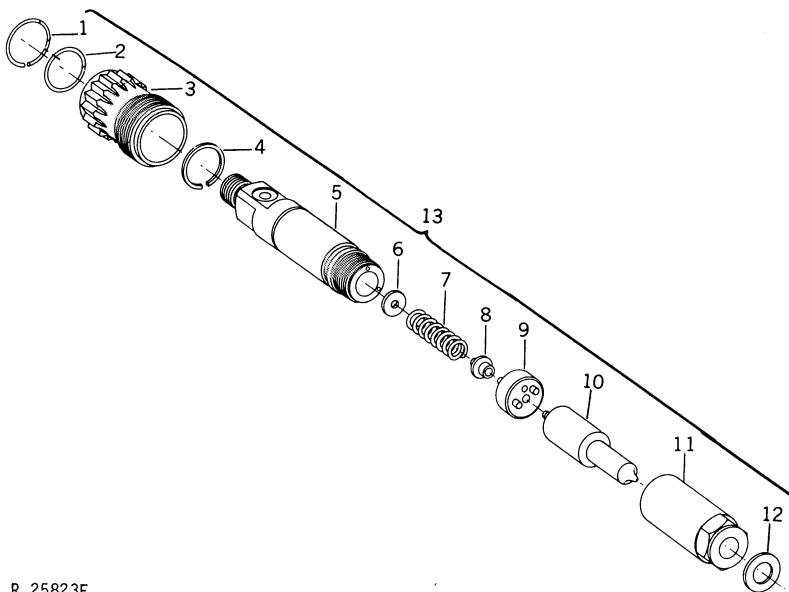


R 18802

KEY	PART NO.	ENGINE SERIAL NO.	DESCRIPTION
1	R 48000	(-)	SEAL
2	R 34764	(-)	WASHER, UPPER
3	AR 50781	(-)	NOZZLE, INJECTOR, WITH BOOT (ROOSA-MASTER NO. I-18767)
4	R 39886	(-)	SEAT, SPRING
5	R 47731	(-)	SPRING
6	AR 52720	(-)	SCREW ASSEMBLY

FUEL INJECTION NOZZLE
(6404D ENGINE SERIAL NO. 500000-)

R25823F

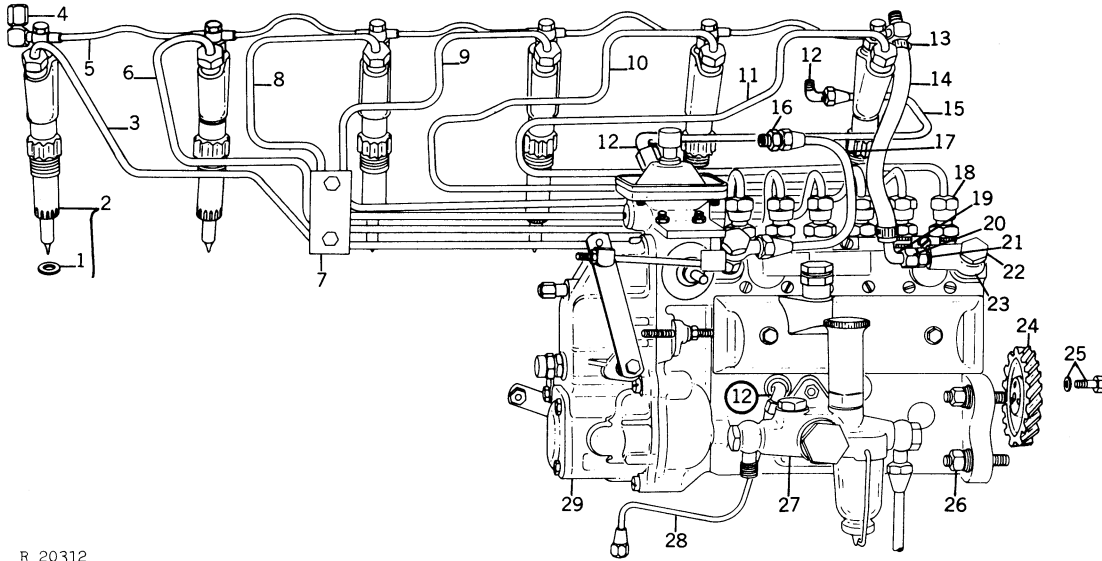


R 25823F

KEY	PART NO.	ENGINE SERIAL NO.	DESCRIPTION
1	R 60277	(-)	RING, SNAP
2	R 51603	(-)	O-RING, 5/8" X 3/32" (15.55MM X 2.62MM)
	R 33259	(-)	O-RING, 9/16" X 1/16" (14.00MM X 1.78MM)
3	R 60279	(-)	SCREW, HOLLOW
4	R 60278	(-)	RING, SNAP
5	R 60272	(-)	HOLDER, NOZZLE
6	R 60280	(-)	SHIM, .039" (0.99MM) PRESSURE ADJUSTING
	R 60281	(-)	SHIM, .041" (1.04MM) PRESSURE ADJUSTING
	R 60282	(-)	SHIM, .043" (1.09MM) PRESSURE ADJUSTING
	R 60283	(-)	SHIM, .045" (1.14MM) PRESSURE ADJUSTING
	R 60284	(-)	SHIM, .047" (1.19MM) PRESSURE ADJUSTING
	R 60285	(-)	SHIM, .049" (1.24MM) PRESSURE ADJUSTING
	R 60286	(-)	SHIM, .051" (1.29MM) PRESSURE ADJUSTING
	R 60287	(-)	SHIM, .053" (1.34MM) PRESSURE ADJUSTING
	R 60288	(-)	SHIM, .055" (1.39MM) PRESSURE ADJUSTING
	R 60289	(-)	SHIM, .057" (1.44MM) PRESSURE ADJUSTING
	R 60290	(-)	SHIM, .059" (1.49MM) PRESSURE ADJUSTING
	R 60291	(-)	SHIM, .061" (1.54MM) PRESSURE ADJUSTING
	R 60292	(-)	SHIM, .063" (1.60MM) PRESSURE ADJUSTING
	R 60293	(-)	SHIM, .065" (1.65MM) PRESSURE ADJUSTING
	R 60294	(-)	SHIM, .067" (1.70MM) PRESSURE ADJUSTING
	R 60295	(-)	SHIM, .069" (1.75MM) PRESSURE ADJUSTING
	R 60296	(-)	SHIM, .071" (1.80MM) PRESSURE ADJUSTING
	R 60297	(-)	SHIM, .073" (1.85MM) PRESSURE ADJUSTING
	R 60298	(-)	SHIM, .075" (1.90MM) PRESSURE ADJUSTING
	R 60299	(-)	SHIM, .077" (1.95MM) PRESSURE ADJUSTING
7	R 60273	(-)	SPRING
8	R 60274	(-)	SEAT, SPRING
9	R 60275	(-)	PLATE, INTERMEDIATE
10	AR 79685	(-)	NOZZLE
11	R 60276	(-)	NUT, NOZZLE RETAINING
12	R 59104	(-)	WASHER, ALUMINUM
13	AR 79686	(-)	NOZZLE, FUEL INJECTION, COMPLETE (6 USED)

FUEL INJECTION PUMP, NOZZLES, AND FUEL PIPES
(6404A, T)
(ENGINE SERIAL NO. -445569)

R20312



R 20312

KEY	PART NO.	ENGINE SERIAL NO.	DESCRIPTION
1	R 48633	(-)	WASHER, COPPER (6 USED)
2	AR 53091	(-)	NOZZLE, FUEL INJECTION, WASHER AND O-RING (6 USED) (6404T)
	AR 62986	(-)	NOZZLE, FUEL INJECTION WITH WASHER AND O-RING (6 USED) (6404A)
3	AR 61521	(-)	PIPE, FUEL INJECTION, NO. 6
4	R 31147	(-)	CAP, 37° FLARE
5	AR 68961	(-)	PIPE, FUEL INJECTION LEAK-OFF (SUB. FOR AR50732)
6	AR 61520	(-)	PIPE, FUEL INJECTION, NO. 5
7	R 26728	(-)	CLAMP, HALF, THREADED, FOR PIPE NOS. 3, 4, 5 AND 6
	R 26789	(-)	CLAMP, HALF, FOR PIPE NOS. 3, 4, 5 AND 6
	R 26790	(-)	CUSHION, FOR PIPE NOS. 3, 4, 5 AND 6
	R 48358	(-)	CLAMP, HALF, THREADED, FOR PIPE NOS. 1, 2, 3, 4, 5 AND 6
	R 48360	(-)	CLAMP, HALF, FOR PIPE NOS. 1, 2, 3, 4, 5 AND 6
	R 48359	(-)	CUSHION, FOR PIPE NOS. 1, 2, 3, 4, 5, AND 6
	19H 1914	(-)	SCREW, CAP, 1/4" X 3/4" (5 USED)
	AR 53461	(-)	CLAMP, WITH SCREW, FOR PIPE NOS. 1 AND 2
	R 49629	(-)	CLAMP FOR PIPE NOS. 1 AND 2
	14H 786	(-)	NUT, 1/4"
	12H 302	(-)	WASHER, LOCK, 1/4"
8	AR 61519	(-)	PIPE, FUEL INJECTION, NO. 4
9	AR 61518	(-)	PIPE, FUEL INJECTION, NO. 3
10	AR 61517	(-)	PIPE, FUEL INJECTION, NO. 2
11	AR 61516	(-)	PIPE, FUEL INJECTION, NO. 1
12	AR 57641	(-)	ELBOW, 90°, 1/8"-27 NPT X 3/8"-24 (3 USED) (SUB. FOR R49415)
13	AR 48236	(-)	CLAMP, HOSE (2 USED)
14	...	(-)	HOSE, 9" (229MM) (MAKE FROM R32639)
15	AR 61513	(-)	PIPE, FUEL CONTROL
	R 27256	(-)	PLATE, FUEL CONTROL PIPE TO EXHAUST MANIFOLD LOWER FRONT SCREW
	R 27528	(-)	CLAMP, FUEL CONTROL PIPE TO EXHAUST MANIFOLD LOWER FRONT SCREW
	R 55662	(-)	CLAMP, FUEL CONTROL PIPE TO CYLINDER HEAD LIFT STRAP SCREW
	R 55663	(-)	PLATE, FUEL CONTROL PIPE TO CYLINDER HEAD LIFT STRAP SCREW
16	R 50201	(-)	UNION, CONNECTOR, 1/2"-20
17	AR 62062	(-)	PIPE, FUEL, INJECTION PUMP TO FUEL FILTER LINE
18	R 469 R	(-)	NUT, ERMETO (12 USED)
	R 468 R	(-)	SLEEVE, ERMETO (12 USED)
19	R 54088	(-)	PIPE, FUEL INJECTION LEAK-OFF
	AR 68332	(-)	PIPE, FUEL INJECTION LEAK-OFF
20	R 51937	(-)	NUT, SPECIAL
	R 51936	(-)	SLEEVE, RUBBER
21	AR 56224	(-)	VALVE, RESTRICTOR
22	R 53903	(-)	SCREW, HOLLOW

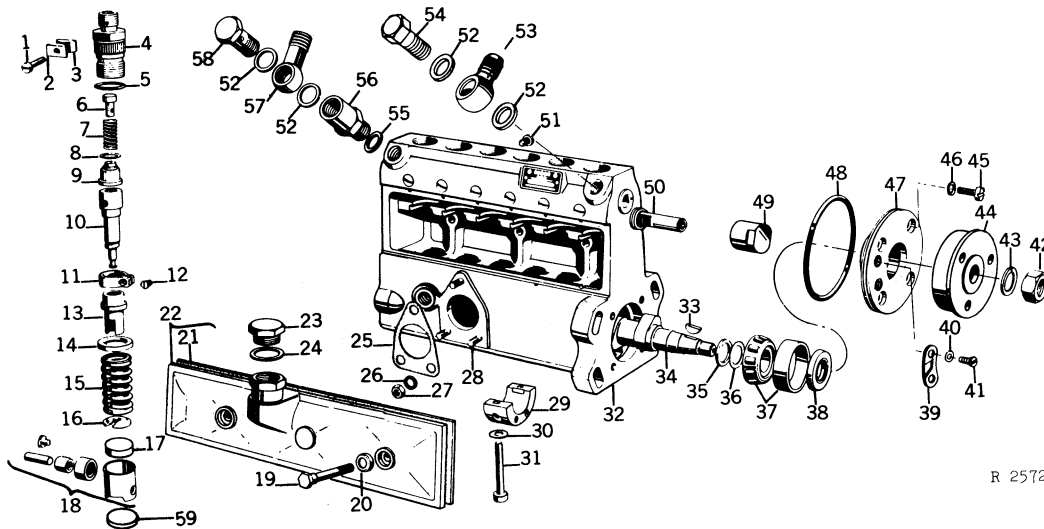
THIS PARTS LISTING IS CONTINUED

OEM ENGINES AND ACCESSORIES - 6404D, 6404T, AND 6404A PC-1554 (10-DEC-76) LITHO IN U.S.A.

FUEL INJECTION PUMP, NOZZLES, AND FUEL PIPES - CONTINUED
(6404A, T)
(ENGINE SERIAL NO. -445569)

KEY	PART NO.	ENGINE SERIAL NO.	DESCRIPTION
23	R 53162	(- 396687)	CONNECTOR, BANJO
	R 58608	(-)	CONNECTOR, BANJO
	R 53901	(-)	GASKET (2 USED)
24	AR 55487	(-)	GEARS, INJECTION PUMP DRIVE AND CAMSHAFT (MATCHED SET)
25	AR 59115	(-)	SCREW, SPECIAL CAP, WITH WASHER (3 USED)
I 26	R 55396	(-)	STUD, 3/8" X 1-11/16" (4 USED) (SUB. FOR C2175R)
	24H 1305	(-)	WASHER, 13/32" X 13/16" X .060" (4 USED)
	14H 812	(-)	NUT, 3/8" (4 USED)
	12H 304	(-)	WASHER, LOCK, 3/8" (4 USED)
27	AR 58812	(-)	PUMP, FUEL TRANSFER (6404T)
	AR 63831	(-)	PUMP, FUEL TRANSFER (6404A)
28	AR 61514	(-)	PIPE, OIL, INJECTION PUMP LUBRICATION
29	AR 70348	(-)	PUMP, FUEL INJECTION, COMPLETE (WITHOUT ANEROID) (6404T) (ROBERT BOSCH) (SUB. FOR AR65527 OR AR69347)
	AR 73249	(-)	PUMP, FUEL INJECTION, COMPLETE (WITHOUT ANEROID) (6404T) (NIPPONDENSO)
	AR 70343	(-)	PUMP, FUEL INJECTION, COMPLETE (WITH ANEROID) (6404T) (ROBERT BOSCH) (SUB. FOR AR60370 OR AR69342)
	AR 73248	(-)	PUMP, FUEL INJECTION, COMPLETE (WITH ANEROID) (NIPPONDENSO) (6404T)
	AR 70349	(-)	PUMP, FUEL INJECTION, COMPLETE (WITHOUT ANEROID) (6404A) (ROBERT BOSCH) (SUB. FOR AR65526 OR AR69348)
	AR 70344	(-)	PUMP, FUEL INJECTION, COMPLETE (WITH ANEROID) (6404A) (ROBERT BOSCH) (SUB. FOR AR61996 OR AR69343)

FUEL INJECTION PUMP PARTS
(6404A, T)
(ENGINE SERIAL NO. -445569)



R 25728

KEY	PART NO.	ENGINE SERIAL NO.	DESCRIPTION
1	R 54859	(-)	SCREW (3 USED)
2	R 54857	(-)	JAW, CLAMPING, WITH THROUGH HOLE (3 USED)
3	R 54858	(-)	JAW, CLAMPING, WITH THREADED HOLE (3 USED)
4	R 54855	(-)	HOLDER, DELIVERY VALVE (6 USED)
5	R 54856	(-)	O-RING (6 USED)
6	R 54881	(-)	SPACER (6 USED)
7	R 54854	(-)	SPRING (6 USED)
8	R 54853	(-)	GASKET (6 USED)
9	R 54892	(-)	VALVE, DELIVERY (6 USED) (6404A)
	AR 63554	(-)	VALVE, DELIVERY (6 USED) (6404T)
10	AR 63559	(-)	PLUNGER AND BARREL (6 USED) (6404A)
	AR 63553	(-)	PLUNGER AND BARREL (6 USED) (6404T)
11	R 54851	(-)	SEGMENT, GEAR (6 USED)
12	R 54852	(-)	SCREW (6 USED)
13	R 54850	(-)	SLEEVE, CONTROL (6 USED)
14	R 54849	(-)	SEAT, SPRING, UPPER
15	R 54891	(-)	SPRING (6 USED) (6404A)
	R 54848	(-)	SPRING (6 USED) (6404T)
16	R 54847	(-)	SEAT, SPRING, LOWER
17	R 54894	(-)	SPACER, .311" (7.90MM) (6404A)
	R 54895	(-)	SPACER, .313" (7.95MM) (6404A)
	R 54896	(-)	SPACER, .315" (8.00MM) (6404A)
	R 54897	(-)	SPACER, .317" (8.05MM) (6404A)
	R 54898	(-)	SPACER, .319" (8.10MM) (6404A)
	R 54899	(-)	SPACER, .321" (8.15MM) (6404A)
	R 54900	(-)	SPACER, .323" (8.20MM) (6404A)
	R 54901	(-)	SPACER, .325" (8.25MM) (6404A)
	R 54902	(-)	SPACER, .327" (8.30MM) (6404A)
	R 54903	(-)	SPACER, .329" (8.35MM) (6404A)
	R 54904	(-)	SPACER, .331" (8.40MM) (6404A)
	R 54905	(-)	SPACER, .333" (8.45MM) (6404A)
	R 54906	(-)	SPACER, .335" (8.50MM) (6404A)
	R 54907	(-)	SPACER, .337" (8.55MM) (6404A)
	R 54908	(-)	SPACER, .339" (8.60MM) (6404A)
	R 54909	(-)	SPACER, .341" (8.65MM) (6404A)
	R 54910	(-)	SPACER, .343" (8.70MM) (6404A)
	R 54911	(-)	SPACER, .345" (8.75MM) (6404A)
	R 54912	(-)	SPACER, .346" (8.80MM) (6404A)
18	AR 63829	(-)	TAPPET, ROLLER, ASSEMBLY (6404A)
	AR 63552	(-)	TAPPET, ROLLER, ASSEMBLY (6404T)
19	R 54876	(-)	SCREW, INJECTION PUMP COVER (2 USED)
20	T 24224	(-)	WASHER, COPPER (2 USED)
21	R 54875	(-)	GASKET

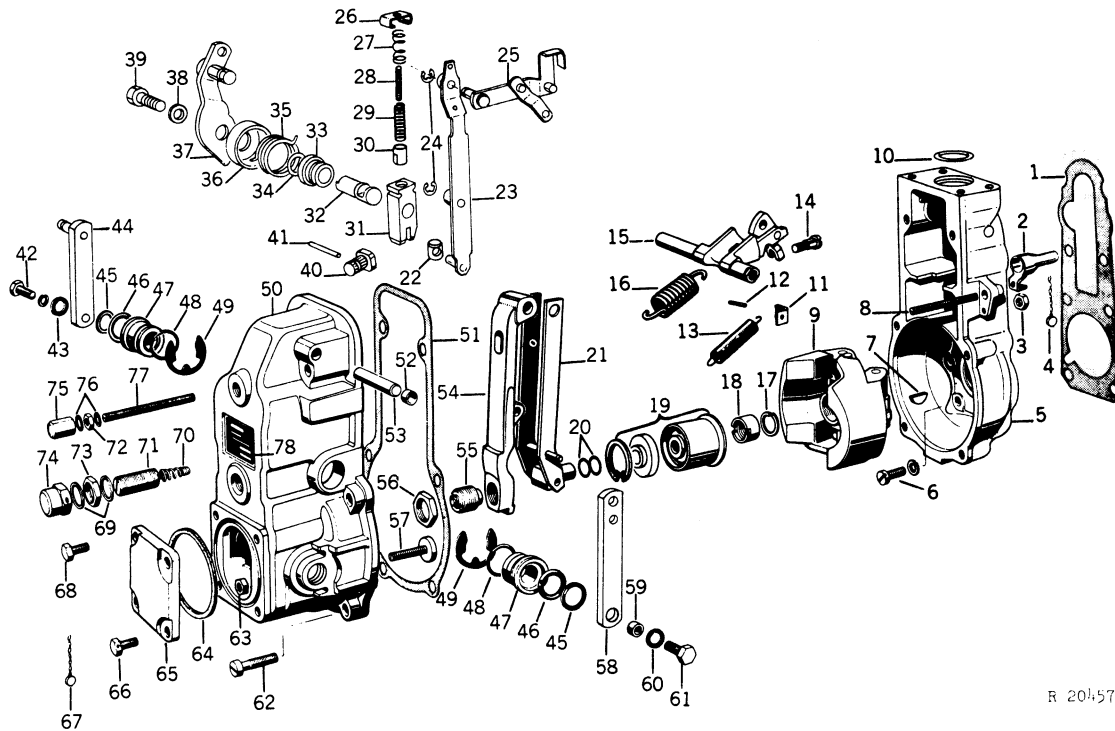
THIS PARTS LISTING IS CONTINUED
 OEM ENGINES AND ACCESSORIES - 6404D, 6404T, AND 6404A PC-1554 (10-DEC-76) LITHO IN U.S.A.

FUEL INJECTION PUMP PARTS - CONTINUED
(6404A, T)
(ENGINE SERIAL NO. -445569)

KEY	PART NO.	ENGINE SERIAL NO.	DESCRIPTION
22	AR 63557	(-)	COVER, INJECTION PUMP, WITH GASKET
23	R 54877	(-)	PLUG, CLOSING
24	R 54004	(-)	GASKET
25	R 53161	(-)	GASKET
26	T 31556	(-)	NUT (3 USED)
27	T 24229	(-)	WASHER, LOCK (3 USED)
28	R 53897	(-)	STUD (3 USED)
29	R 55062	(-)	SUPPORT, CENTER BEARING (6404A)
	R 54878	(-)	SUPPORT, BEARING CENTER (6404T)
30	R 54880	(-)	WASHER, LOCK (2 USED)
31	R 54879	(-)	SCREW (2 USED)
32	AR 63558	(-)	HOUSING, PUMP (6404A)
	AR 63551	(-)	HOUSING, PUMP (6404T)
33	R 53888	(-)	KEY, WOODRUFF
34	R 54893	(-)	CAMSHAFT (6404A)
	R 54862	(-)	CAMSHAFT (6404T)
35	R 54863	(-)	SPACER (DRIVE END)
	R 55152	(-)	SPACER (GOVERNOR END)
36	R 54864	(-)	SHIM, .0039" (0.10MM) (USE AS REQUIRED) (DRIVE END)
	R 54865	(-)	SHIM, .0047" (0.12MM) (USE AS REQUIRED) (DRIVE END)
	R 54866	(-)	SHIM, .0055" (0.14MM) (USE AS REQUIRED) (DRIVE END)
	R 54867	(-)	SHIM, .0063" (0.16MM) (USE AS REQUIRED) (DRIVE END)
	R 54868	(-)	SHIM, .0071" (0.18MM) (USE AS REQUIRED) (DRIVE END)
	R 54869	(-)	SHIM, .0197" (0.50MM) (USE AS REQUIRED) (DRIVE END)
	R 54870	(-)	SHIM, .0118" (0.30MM) (USE AS REQUIRED) (DRIVE END)
	R 55153	(-)	SHIM, .0039" (0.10MM) (USE AS REQUIRED) (GOVERNOR END)
	R 55154	(-)	SHIM, .0047" (0.12MM) (USE AS REQUIRED) (GOVERNOR END)
	R 55155	(-)	SHIM, .0055" (0.14MM) (USE AS REQUIRED) (GOVERNOR END)
	R 55156	(-)	SHIM, .0063" (0.16MM) (USE AS REQUIRED) (GOVERNOR END)
	R 55157	(-)	SHIM, .0071" (0.18MM) (USE AS REQUIRED) (GOVERNOR END)
	R 55159	(-)	SHIM, .0197" (0.50MM) (USE AS REQUIRED) (GOVERNOR END)
	R 55160	(-)	SHIM, .0390" (1.00MM) (USE AS REQUIRED) (GOVERNOR END)
	R 55158	(-)	SHIM, .0118" (0.30MM) (USE AS REQUIRED) (GOVERNOR END)
37	AR 63555	(-)	BEARING, TAPER ROLLER (DRIVE END)
	AR 63941	(-)	BEARING, TAPER ROLLER (GOVERNOR END)
38	AR 63556	(-)	SEAL
39	R 54882	(-)	POINTER, TIMING
40	R 54884	(-)	WASHER (2 USED)
41	R 54883	(-)	SCREW (2 USED)
42	R 53886	(-)	NUT, HEX
43	R 54871	(-)	WASHER, LOCK
44	R 54885	(-)	HUB, DRIVE
45	R 53885	(-)	SCREW (2 USED)
46	R 54874	(-)	WASHER, LOCK (2 USED)
47	R 54872	(-)	ENDPLATE BEARING
48	R 54873	(-)	O-RING
49	AR 69158	(-)	CAP, CONTROL RACK WITH MAGNET
50	R 54860	(-)	RACK, CONTROL
51	R 54861	(-)	SCREW, RACK LOCATING
52	R 53901	(-)	GASKET (4 USED)
53	R 53162	(-)	CONNECTOR, BANJO
54	R 53903	(-)	SCREW, HOLLOW
55	R 53899	(-)	GASKET
56	R 53900	(-)	ADAPTER
57	R 53902	(-)	CONNECTOR, BANJO
58	R 53903	(-)	SCREW, HOLLOW
59	R 55063	(-)	PLUG, PUMP HOUSING, BASE (6 USED)

FUEL INJECTION PUMP GOVERNOR
 (6404A, T)
 (ENGINE SERIAL NO. -445569)

R20457



R 20457

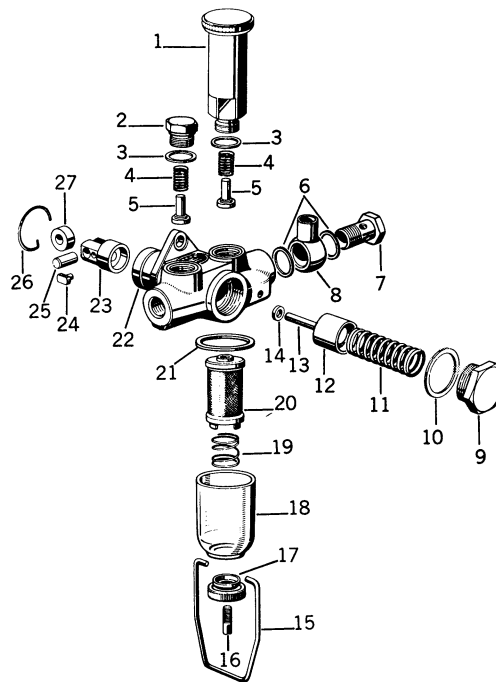
KEY	PART NO.	ENGINE SERIAL NO.	DESCRIPTION
	1 R 55064	(-)	GASKET
	2 R 53918	(-)	CAPSULE, SEALING
I	AR 63560	(-)	SEAL, STOP SCREW (SUB. R53972 AND T31575)
	3 T 31556	(-)	NUT, LOCK
	4 R 53972	(-)	WIRE, SEALING
	T 31575	(-)	SEAL, LEAD
	AR 63567	(-)	HOUSING, GOVERNOR (WITH ANEROID)
	R 56989	(-)	HOUSING, GOVERNOR (WITHOUT ANEROID)
	R 56990	(-)	PLUG (WITHOUT ANEROID)
	6 R 53914	(-)	SCREW, FILL. HD. (6 USED)
	T 24229	(-)	WASHER, LOCK (6 USED)
	7 T 24295	(-)	KEY, WOODRUFF
	8 R 53917	(-)	SCREW, HIGH SPEED STOP
	9 AR 61171	(-)	FLYWEIGHT ASSEMBLY
	10 R 54932	(-)	O-RING
	11 R 53915	(-)	BRACKET
I	12 R 53945	(-)	TUBE (2 USED) (SUB. R54921)
	13 R 54921	(-)	SPRING, STARTING
	14 R 54919	(-)	SCREW
	AR 61174	(-)	LEVER, SWIVELING
	16 R 53943	(-)	SPRING, GOVERNOR, MAIN
	17 R 53912	(-)	WASHER, LOCK
	18 R 53911	(-)	NUT, RD.
	19 AR 61172	(-)	BEARING, ASSEMBLY
	20 R 53920	(-)	SHIM, .008" (0.2MM) (USE AS REQUIRED)
	R 53921	(-)	SHIM, .012" (0.3MM) (USE AS REQUIRED)
	R 53922	(-)	SHIM, .016" (0.4MM) (USE AS REQUIRED)
	R 53923	(-)	SHIM, .039" (1.0MM) (USE AS REQUIRED)
	21 R 53924	(-)	LEVER, GUIDE
	22 R 53931	(-)	SLIDER
	23 AR 63563	(-)	LEVER, FLOATING
	24 R 53932	(-)	RING, RETAINING (2 USED)

FUEL INJECTION PUMP GOVERNOR - CONTINUED
(6404A, T)
(ENGINE SERIAL NO. -445569)

KEY	PART NO.	ENGINE SERIAL NO.	DESCRIPTION
25	AR 63569	(-)	SHACKLE
26	R 53953	(-)	CLIP, RETAINING
27	R 53950	(-)	SPRING, .768" (19.5MM)
28	R 53951	(-)	SPRING, .925" (23.5MM)
29	R 53952	(-)	SPRING, 1.043" (26.5MM)
30	R 53949	(-)	CAPSULE, SPRING LEVER
31	R 53948	(-)	LEVER
32	R 53947	(-)	SHAFT
33	R 53946	(-)	BUSHING, THREADED
34	R 53955	(-)	O-RING
35	R 54922	(-)	SPRING
36	R 53956	(-)	RETAINER, SPRING
37	AR 63565	(-)	LEVER, SHUT-OFF
38	T 24229	(-)	WASHER, LOCK
39	R 53941	(-)	SCREW
40	R 53958	(-)	PIN, STOP
41	R 54923	(-)	PIN
42	R 53941	(-)	SCREW
43	R 53942	(-)	WASHER
44	AR 63564	(-)	LEVER, CONTROL, L.H.
45	R 53938	(-)	SPACER, .012" (0.3MM) (USE AS REQUIRED)
	R 53939	(-)	SPACER, .039" (1.0MM) (USE AS REQUIRED)
	R 53940	(-)	SPACER, .0196" (0.5MM) (USE AS REQUIRED)
46	R 53937	(-)	O-RING (2 USED)
47	R 53934	(-)	BUSHING (2 USED)
48	R 53935	(-)	O-RING (2 USED)
49	R 53936	(-)	RING, RETAINING (2 USED)
50	AR 63561	(-)	COVER, GOVERNOR
51	R 53971	(-)	GASKET
52	R 53927	(-)	PLUG, SEALING (2 USED)
53	R 53926	(-)	SHAFT
54	R 53925	(-)	LEVER, TENSIONING
55	AR 63562	(-)	CAPSULE, TORQUE CONTROL, COMPLETE
56	R 53928	(-)	NUT, LOCK
57	R 53929	(-)	SCREW, FULL LOAD STOP
58	R 55065	(-)	LEVER, CONTROL, R.H.
59	R 53975	(-)	SPACER
60	T 24229	(-)	WASHER, LOCK
61	R 53976	(-)	SCREW
62	R 53969	(-)	SCREW, FILL. HD. (LOWER) (4 USED)
	R 53970	(-)	SCREW, FILL. HD. (UPPER) (2 USED)
63	T 31556	(-)	NUT, HEX.
64	R 53966	(-)	GASKET
65	AR 63566	(-)	COVER
66	R 54926	(-)	SCREW, LOWER (2 USED)
67	R 53972	(-)	WIRE, SEALING
	T 31575	(-)	SEAL, LEAD
68	R 54927	(-)	SCREW, UPPER (2 USED)
69	T 25118	(-)	WASHER, COPPER (2 USED)
70	R 54924	(- 375015)	SPRING
	R 53962	(375016 -)	SPRING
71	R 53961	(-)	CAPSULE, SPRING
72	T 24282	(-)	NUT, HEX.
73	R 53963	(-)	NUT, LOCK
74	R 54925	(- 375015)	NUT, CAP
	R 53964	(375016 -)	NUT, CAP
75	R 53960	(-)	NUT, CAP
76	T 24224	(-)	WASHER, COPPER (2 USED)
77	R 53959	(-)	SCREW, LOW IDLE STOP
78	R 54300	(-)	DECAL, GOVERNOR CALIBRATING

FUEL TRANSFER PUMP
(6404A, T)
(ENGINE SERIAL NO. -445569)

R19164

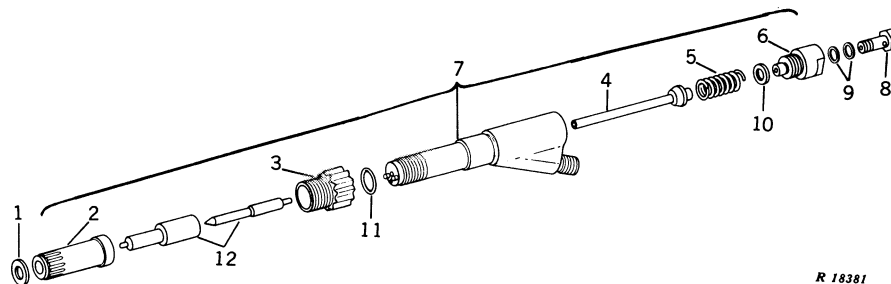


R 19164

KEY	PART NO.	ENGINE SERIAL NO.	DESCRIPTION
1	R 54033	(-)	PRIMER, HAND
2	R 54024	(-)	PLUG, SCREW
3	R 54025	(-)	GASKET (2 USED)
4	R 54023	(-)	SPRING (2 USED)
I 5	R 55022	(-)	VALVE (2 USED) (SUB. FOR R55074)
I 6	R 53901	(-)	GASKET (4 USED)
I 7	R 53903	(-)	SCREW, HOLLOW (2 USED) (SUB. FOR R54012)
8	R 53902	(-)	FITTING, BANJO (2 USED)
9	R 55069	(-)	PLUG, SCREW
10	R 54016	(-)	GASKET
11	R 54011	(-)	SPRING
12	R 55067	(-)	PLUNGER, PUMP (ORDER AR63831)
13	R 55068	(-)	SPINDLE, PRESSURE (ORDER AR63831)
14	R 54013	(-)	O-RING
15	R 54030	(-)	CLIP
16	R 54032	(-)	BOLT, STUD
17	R 54031	(-)	NUT, CLAMPING
18	R 54027	(-)	HOUSING, FILTER (GLASS)
19	R 54029	(-)	SPRING
20	R 54026	(-)	FILTER
21	R 54028	(-)	GASKET
22	AR 63831	(-)	PUMP, FUEL TRANSFER, COMPLETE
23	R 55070	(-)	TAPPET, ROLLER (SUB. AR73857)
24	R 55073	(-)	BLOCK, SLIDING (2 USED) (SUB. AR73857)
25	R 55072	(-)	PIN, ROLLER (SUB. AR73857)
26	R 54021	(-)	RING, SNAP
27	R 55071	(-)	ROLLER (SUB. AR73857)
..	R 53161	(-)	GASKET, FUEL TRANSFER PUMP

FUEL INJECTION NOZZLE (21 MM.) (ROBERT BOSCH)
(6404A, T)
(ENGINE SERIAL NO. -445569)

R18381

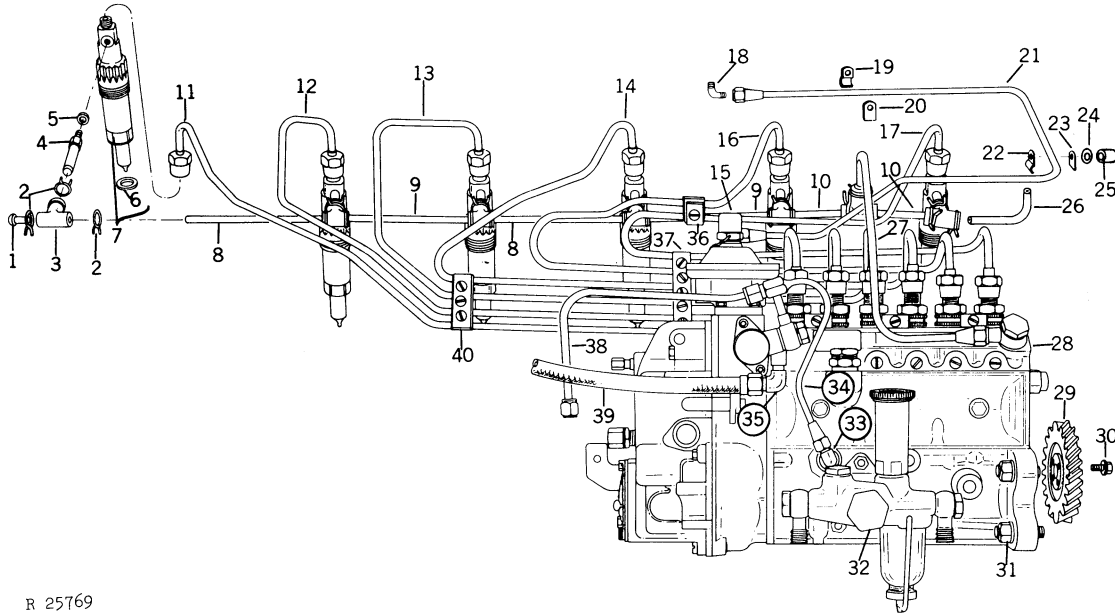


R 18381

KEY	PART NO.	ENGINE SERIAL NO.	DESCRIPTION
1	R 48633	(-)	WASHER, COPPER
2	R 48696	(-)	NUT, NOZZLE RETAINING
3	R 48695	(-)	NUT, GLAND
4	R 48689	(-)	SPINDLE
5	R 48691	(-)	SPRING
6	R 48692	(-)	PLUG, SCREW
7	AR 52375	(-)	BODY
8	R 48694	(-)	SCREW, HOLLOW
9	R 48693	(-)	GASKET (2 USED)
10	R 48698	(-)	SHIM, .043" (1.09 MM), PRESSURE ADJUSTING
	R 48699	(-)	SHIM, .045" (1.14 MM), PRESSURE ADJUSTING
	R 48700	(-)	SHIM, .047" (1.19 MM), PRESSURE ADJUSTING
	R 48701	(-)	SHIM, .049" (1.24 MM), PRESSURE ADJUSTING
	R 48702	(-)	SHIM, .051" (1.30 MM), PRESSURE ADJUSTING
	R 48703	(-)	SHIM, .053" (1.35 MM), PRESSURE ADJUSTING
	R 48704	(-)	SHIM, .055" (1.40 MM), PRESSURE ADJUSTING
	R 48705	(-)	SHIM, .057" (1.45 MM), PRESSURE ADJUSTING
	R 48706	(-)	SHIM, .059" (1.50 MM), PRESSURE ADJUSTING
	R 49549	(-)	SHIM, .061" (1.55 MM), PRESSURE ADJUSTING
	R 49551	(-)	SHIM, .063" (1.60 MM), PRESSURE ADJUSTING
	R 49552	(-)	SHIM, .065" (1.65 MM), PRESSURE ADJUSTING
	R 49553	(-)	SHIM, .067" (1.70 MM), PRESSURE ADJUSTING
	R 49554	(-)	SHIM, .069" (1.75 MM), PRESSURE ADJUSTING
	R 49555	(-)	SHIM, .071" (1.80 MM), PRESSURE ADJUSTING
	R 49556	(-)	SHIM, .073" (1.85 MM), PRESSURE ADJUSTING
	R 49557	(-)	SHIM, .075" (1.91 MM), PRESSURE ADJUSTING
	R 49558	(-)	SHIM, .077" (1.96 MM), PRESSURE ADJUSTING
11	R 51603	(-)	O-RING
12	R 48697	(-)	NOZZLE
..	AR 53091	(-)	NOZZLE, FUEL INJECTION, COMPLETE (21 MM) (ROBERT BOSCH) (6 USED)

FUEL INJECTION PUMP, NOZZLES AND FUEL PIPE
 (6404A, T)
 (ENGINE SERIAL NO. 445570-)
 CODE 1601 INJECTION SYSTEM, REGULAR GOVERNOR

R25769



R 25769

KEY	PART NO.	ENGINE SERIAL NO.	DESCRIPTION
1	16H 644	(-)	RIVET, PAN HD.
2	R 34766	(-)	CLAMP (21 USED)
3	T 23425	(-)	BOOT, NOZZLE LEAK-OFF (7 USED)
4	R 59293	(-)	CONNECTOR, SPECIAL (6 USED)
5	R 59294	(-)	WASHER, ALUMINUM (6 USED)
6	R 59104	(-)	WASHER, ALUMINUM (6 USED)
7	AR 74664	(-)	NOZZLE, FUEL INJECTION, WITH WASHER AND O-RING (6 USED) (FOR PARTS SEE PAGE 25-65) (6404A)
	AR 74665	(-)	NOZZLE, FUEL INJECTION, WITH WASHER AND O-RING (6 USED) (FOR PARTS SEE PAGE 25-53) (6404T)
8	R 60877	(-)	TUBE, FUEL INJECTION LEAK-OFF (2 USED)
9	R 60876	(-)	TUBE, FUEL INJECTION LEAK-OFF (2 USED)
10	R 62245	(-)	TUBE, FUEL INJECTION LEAK-OFF (2 USED)
11	AR 69451	(-)	PIPE, FUEL INJECTION, NO. 6
12	AR 69450	(-)	PIPE, FUEL INJECTION, NO. 5
13	AR 69449	(-)	PIPE, FUEL INJECTION, NO. 4
14	AR 69448	(-)	PIPE, FUEL INJECTION, NO. 3
15	T 18012	(-)	ELBOW, 90° (FUEL CONTROL LINE TO INJECTION PUMP)
16	AR 69447	(-)	PIPE, FUEL INJECTION, NO. 2
17	AR 69446	(-)	PIPE, FUEL INJECTION, NO. 1
18	R 57641	(-)	ELBOW, 90°, 1/8"-27 NPT X 3/8"-24
19	R 27528	(-)	CLAMP
20	R 27256	(-)	PLATE
21	AR 77448	(-)	PIPE, FUEL CONTROL
22	R 27528	(-)	CLAMP
23	R 31655	(-)	PLATE
24	24H 1305	(-)	WASHER, .41" X .81" X .060"
25	28H 1525	(-)	SPACER, PIPE, .50" I.D. X 1.06"
26	R 54088	(-)	TUBE, FUEL INJECTION LEAK-OFF
27	AR 76502	(-)	LINE, PUMP TO LEAK-OFF LINE
28	AR 73517	(-)	PUMP, FUEL INJECTION (WITH ANEROID) (6404T) (ROBERT BOSCH)
	AR 73518	(-)	PUMP, FUEL INJECTION (WITH ANEROID) (6404A) (ROBERT BOSCH)

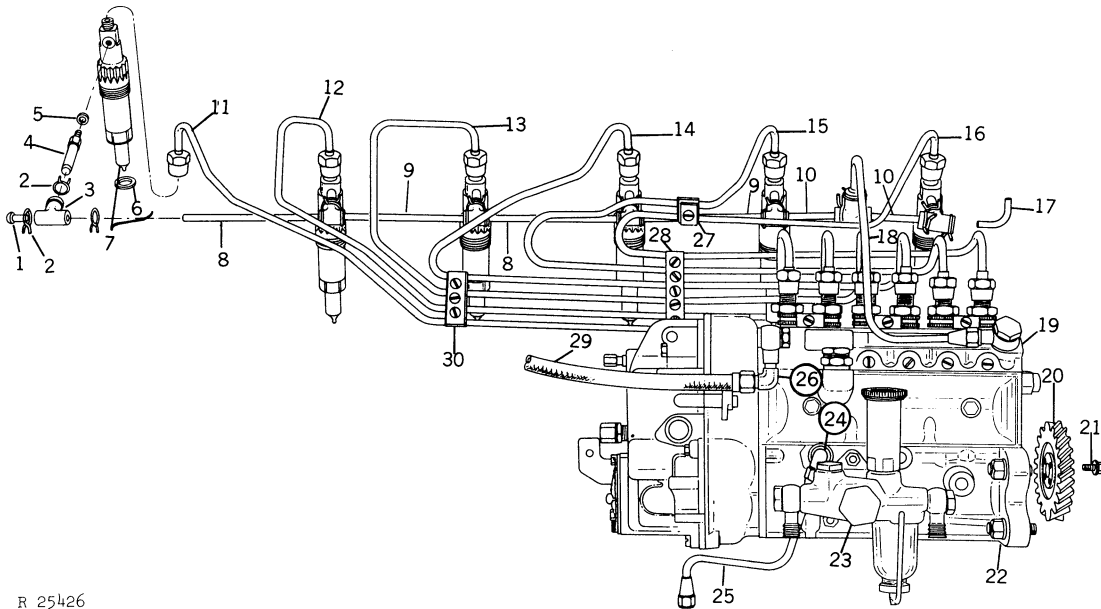
THIS PARTS LISTING IS CONTINUED

FUEL INJECTION PUMP, NOZZLES AND FUEL PIPE - CONTINUED
(6404A, T)
(ENGINE SERIAL NO. 445570-)
CODE 1601 INJECTION SYSTEM, REGULAR GOVERNOR

KEY	PART NO.	ENGINE SERIAL NO.	DESCRIPTION
29	AR 55487	(-)	GEAR, INJECTION PUMP DRIVE AND CAMSHAFT (MATCHED SET)
I 30	AR 59115	(-)	SCREW, SPECIAL CAP (3 USED)
31	R 55396	(-)	STUD (4 USED)
	R 42729	(-)	WASHER, SPECIAL (4 USED)
	12H 304	(-)	WASHER, LOCK, 3/8" (4 USED)
	14H 812	(-)	NUT, 3/8"
32	AR 63831	(-)	PUMP, FUEL TRANSFER (FOR PARTS SEE PAGE 25-52 OR 25-64)
33	R 57641	(-)	ELBOW, 90°, 1/8"-27 NPT X 3/8"-24
34	AR 76158	(-)	PIPE, ANEROID CONTROL
35	U 45538	(-)	ELBOW, 90°, 1/4"-18 X 1/2"-20
36	R 58186	(-)	CLAMP, HALF (2 USED)
	R 61144	(-)	RETAINER, CLAMP
	R 59305	(-)	RETAINER
	21H 1312	(-)	SCREW, MACH., NO. 10
	12H 246	(-)	WASHER, LOCK, NO. 10
37	R 59302	(-)	CLAMP, HALF (2 USED)
	R 61147	(-)	RETAINER, CLAMP
	R 59304	(-)	REINFORCEMENT
	21H 1312	(-)	SCREW, MACH., NO. 10 (5 USED)
	12H 302	(-)	WASHER, LOCK, NO. 10 (5 USED)
38	AR 76488	(-)	PIPE, PUMP OIL INLET
I 39	AR 76326	(-)	LINE, FLEXIBLE
40	R 59299	(-)	CLAMP, HALF (2 USED)
	R 61146	(-)	RETAINER, CLAMP
	R 59300	(-)	REINFORCEMENT
	12H 1312	(-)	SCREW, MACH., NO. 10 (3 USED)
	12H 246	(-)	WASHER, LOCK, NO. 10 (3 USED)

FUEL INJECTION PUMP, NOZZLES, AND FUEL PIPE
 (6404A, T)
 (ENGINE SERIAL NO. 445570-)
 CODE 1604 INJECTION SYSTEM, 3%-5% GOVERNOR

R25426



R 25426

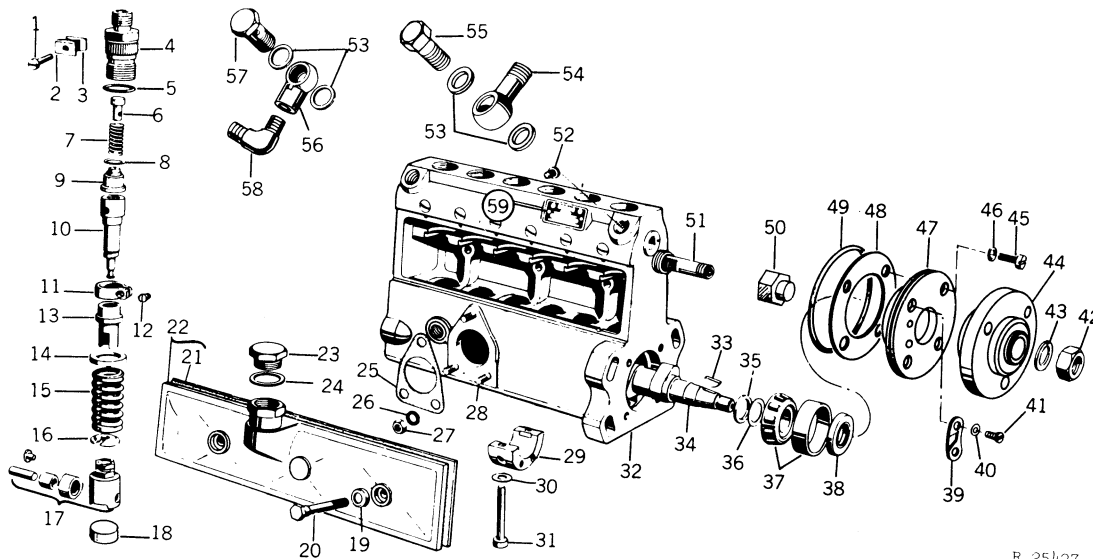
KEY	PART NO.	ENGINE SERIAL NO.	DESCRIPTION
1	16H 644	(-)	RIVET, PAN HD.
2	R 34766	(-)	CLAMP (21 USED)
3	T 23425	(-)	BOOT, NOZZLE LEAK-OFF (7 USED)
4	R 59293	(-)	CONNECTOR, SPECIAL (6 USED)
5	R 59294	(-)	WASHER, ALUMINUM (6 USED)
6	R 59104	(-)	WASHER, ALUMINUM (6 USED)
I 7	AR 74664	(-)	NOZZLE, FUEL INJECTION WITH WASHER AND O-RING (6 USED) (FOR PARTS SEE PAGE 25-65) (6404A)
	AR 74665	(-)	NOZZLE, FUEL INJECTION WITH WASHER AND O-RING (6 USED) (FOR PARTS SEE PAGE 25-53) (6404T)
8	R 60877	(-)	TUBE, FUEL INJECTION LEAK-OFF (2 USED)
9	R 60876	(-)	TUBE, FUEL INJECTION LEAK-OFF (2 USED)
10	R 62245	(-)	TUBE, FUEL INJECTION LEAK-OFF (2 USED)
11	AR 69451	(-)	PIPE, FUEL INJECTION, NO. 6
12	AR 69450	(-)	PIPE, FUEL INJECTION, NO. 5
13	AR 69449	(-)	PIPE, FUEL INJECTION, NO. 4
14	AR 69448	(-)	PIPE, FUEL INJECTION, NO. 3
15	AR 69447	(-)	PIPE, FUEL INJECTION, NO. 2
16	AR 69446	(-)	PIPE, FUEL INJECTION, NO. 1
17	R 54088	(-)	TUBE, FUEL INJECTION LEAK-OFF
18	AR 76502	(-)	LINE, PUMP TO LEAK-OFF LINE
19	AR 73519	(-)	PUMP, FUEL INJECTION (WITHOUT ANEROID) (6404T) (ROBERT BOSCH)
	AR 73520	(-)	PUMP, FUEL INJECTION (WITHOUT ANEROID) (6404A) (ROBERT BOSCH)
20	AR 55487	(-)	GEAR, INJECTION PUMP DRIVE AND CAMSHAFT (MATCHED SET)
I 21	AR 59115	(-)	SCREW, SPECIAL CAP (3 USED)
22	R 55396	(-)	STUD (4 USED)
	R 42729	(-)	WASHER, SPECIAL (4 USED)
	12H 304	(-)	WASHER, LOCK, 3/8" (4 USED)
	14H 812	(-)	NUT, 3/8" (4 USED)
23	AR 63831	(-)	PUMP, FUEL TRANSFER (FOR PARTS SEE PAGE 25-52 OR 25-64)

FUEL INJECTION PUMP, NOZZLES, AND FUEL PIPE - CONTINUED
(6404A, T)
(ENGINE SERIAL NO. 445570-)
CODE 1604 INJECTION SYSTEM, 3%-5% GOVERNOR

<i>KEY</i>	<i>PART NO.</i>	<i>ENGINE SERIAL NO.</i>	<i>DESCRIPTION</i>
24	R 39832	(-)	CONNECTOR, SPECIAL, 1/8"-27 NPT X 3/8"-24
25	AR 61514	(-)	PIPE, INJECTION PUMP, OIL LUBRICATION
26	U 45538	(-)	ELBOW, 90°, 1/4"-18 X 1/2"-20
27	R 58186	(-)	CLAMP, HALF (2 USED)
	R 61144	(-)	RETAINER, CLAMP
	R 59305	(-)	REINFORCEMENT
	21H 1312	(-)	SCREW, MACH., NO. 10
	12H 246	(-)	WASHER, LOCK, NO. 10
28	R 59302	(-)	CLAMP, HALF (2 USED)
	R 61147	(-)	RETAINER, CLAMP
	R 59304	(-)	REINFORCEMENT
	21H 1312	(-)	SCREW, MACH., NO. 10 (5 USED)
	12H 246	(-)	WASHER, LOCK, NO. 10 (5 USED)
29	AR 76760	(-)	LINE, FLEXIBLE
30	R 59299	(-)	CLAMP, HALF (2 USED)
	R 61146	(-)	RETAINER, CLAMP
	R 59300	(-)	REINFORCEMENT
	21H 1312	(-)	SCREW, MACH., NO. 10 (3 USED)
	12H 302	(-)	WASHER, LOCK, NO. 10 (3 USED)

**FUEL INJECTION PUMP PARTS
(6404T)
(ENGINE SERIAL NO. 445570-)
CODE 1601 INJECTION SYSTEM, REGULAR GOVERNOR**

R25427



R 25427

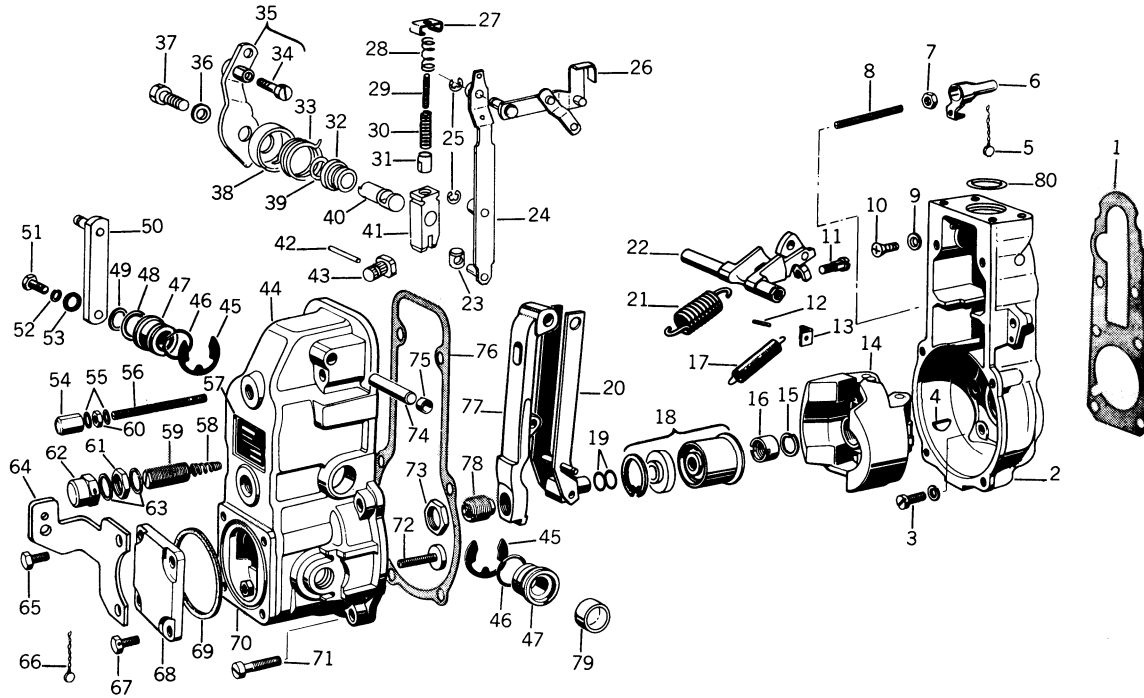
KEY	PART NO.	ENGINE SERIAL NO.	DESCRIPTION
1	R 54859	(-)	SCREW (3 USED)
2	R 54857	(-)	JAW, CLAMPING, WITH THROUGH HOLE (3 USED)
3	R 54858	(-)	JAW, CLAMPING, WITH THREADED HOLE (3 USED)
4	R 63065	(-)	HOLDER, DELIVERY VALVE (6 USED)
5	R 54856	(-)	O-RING (6 USED)
6	R 54881	(-)	SPACER (6 USED)
7	R 54854	(-)	SPRING (6 USED)
8	R 54853	(-)	GASKET (6 USED)
9	AR 63554	(-)	VALVE, DELIVERY (6 USED)
10	AR 63553	(-)	PLUNGER AND BARREL (6 USED)
11	R 54851	(-)	SEGMENT, GEAR (6 USED)
12	R 54852	(-)	SCREW (6 USED)
13	R 54850	(-)	SLEEVE, CONTROL (6 USED)
14	R 54849	(-)	SEAT, SPRING, UPPER (6 USED)
15	R 54848	(-)	SPRING (6 USED)
16	R 54847	(-)	SEAT, SPRING, LOWER (6 USED)
17	AR 63552	(-)	TAPPET, ROLLER, ASSEMBLY (6 USED)
18	R 54846	(-)	PLUG, PUMP HOUSING, BASE (6 USED)
19	T 24224	(-)	WASHER, COPPER (2 USED)
20	R 54876	(-)	SCREW, INSPECTION COVER (2 USED)
21	R 54875	(-)	GASKET
22	AR 63557	(-)	COVER, INJECTION PUMP, WITH GASKET
23	R 54877	(-)	PLUG, CLOSING
24	R 54004	(-)	GASKET
25	R 53161	(-)	GASKET
26	T 24229	(-)	WASHER, LOCK (3 USED)
27	T 31556	(-)	NUT (3 USED)
28	R 53897	(-)	STUD (3 USED)
29	R 54878	(-)	SUPPORT, CENTER BEARING
30	R 54880	(-)	WASHER, LOCK (2 USED)
31	R 54879	(-)	SCREW (2 USED)
32	AR 63551	(-)	HOUSING, PUMP
33	R 53888	(-)	KEY, WOODRUFF
34	R 54862	(-)	CAMSHAFT
35	R 54863	(-)	SPACER, GOVERNOR END

FUEL INJECTION PUMP PARTS - CONTINUED
(6404T)
(ENGINE SERIAL NO. 445570-)
CODE 1601 INJECTION SYSTEM, REGULAR GOVERNOR

KEY	PART NO.	ENGINE SERIAL NO.	DESCRIPTION
36	R 55152	(-)	SHIM, .0039" (0.10MM) (USE AS REQUIRED) (DRIVE END)
	R 54864	(-)	SHIM, .0047" (0.12MM) (USE AS REQUIRED) (DRIVE END)
	R 54865	(-)	SHIM, .0055" (0.14MM) (USE AS REQUIRED) (DRIVE END)
	R 54866	(-)	SHIM, .0063" (0.16MM) (USE AS REQUIRED) (DRIVE END)
	R 54867	(-)	SHIM, .0071" (0.18MM) (USE AS REQUIRED) (DRIVE END)
	R 54868	(-)	SHIM, .0197" (0.50MM) (USE AS REQUIRED) (DRIVE END)
	R 54869	(-)	SHIM, .0118" (0.30MM) (USE AS REQUIRED) (DRIVE END)
	R 54870	(-)	SHIM, .0039" (0.10MM) (USE AS REQUIRED) (GOVERNOR END)
	R 55153	(-)	SHIM, .0047" (0.12MM) (USE AS REQUIRED) (GOVERNOR END)
	R 55154	(-)	SHIM, .0055" (0.14MM) (USE AS REQUIRED) (GOVERNOR END)
	R 55155	(-)	SHIM, .0063" (0.16MM) (USE AS REQUIRED) (GOVERNOR END)
	R 55156	(-)	SHIM, .0071" (0.18MM) (USE AS REQUIRED) (GOVERNOR END)
	R 55157	(-)	SHIM, .0197" (0.50MM) (USE AS REQUIRED) (GOVERNOR END)
	R 55159	(-)	SHIM, .0390" (1.00MM) (USE AS REQUIRED) (GOVERNOR END)
	R 55160	(-)	SHIM, .0118" (0.30MM) (USE AS REQUIRED) (GOVERNOR END)
	R 55158	(-)	SHIM, .0118" (0.30MM) (USE AS REQUIRED) (GOVERNOR END)
37	AR 63555	(-)	BEARING, TAPER ROLLER (DRIVE END)
	AR 63941	(-)	BEARING, TAPER ROLLER (GOVERNOR END)
38	AR 63556	(-)	SEAL
39	R 54882	(-)	POINTER, TIMING
40	R 54884	(-)	WASHER (2 USED)
41	R 54883	(-)	SCREW (2 USED)
42	R 53886	(-)	NUT, HEX
43	R 53887	(-)	WASHER, LOCK
44	R 54885	(-)	HUB, DRIVE
45	R 60908	(-)	SCREW (2 USED)
46	R 54874	(-)	WASHER, LOCK (2 USED)
47	R 54872	(-)	ENDPLATE BEARING
48	R 54873	(-)	O-RING
49	R 60909	(-)	GASKET
50	AR 69158	(-)	CAP, CONTROL RACK, WITH MAGNET
51	R 54860	(-)	RACK, CONTROL
52	R 54861	(-)	SCREW, RACK LOCATING
53	R 53901	(-)	GASKET (4 USED)
54	R 58608	(-)	CONNECTOR, BANJO
55	R 53903	(-)	SCREW, HOLLOW
56	R 53162	(-)	CONNECTOR, BANJO
57	R 53903	(-)	SCREW, HOLLOW
58	R 57641	(-)	ELBOW, 90°, 1/8"-27 X 3/8"-24
59	T 31508	(-)	NAMEPLATE

FUEL INJECTION PUMP GOVERNOR
 (6404T)
 (ENGINE SERIAL NO. 445570-)
 CODE 1601 INJECTION PUMP, REGULAR GOVERNOR

R24919



R 24919

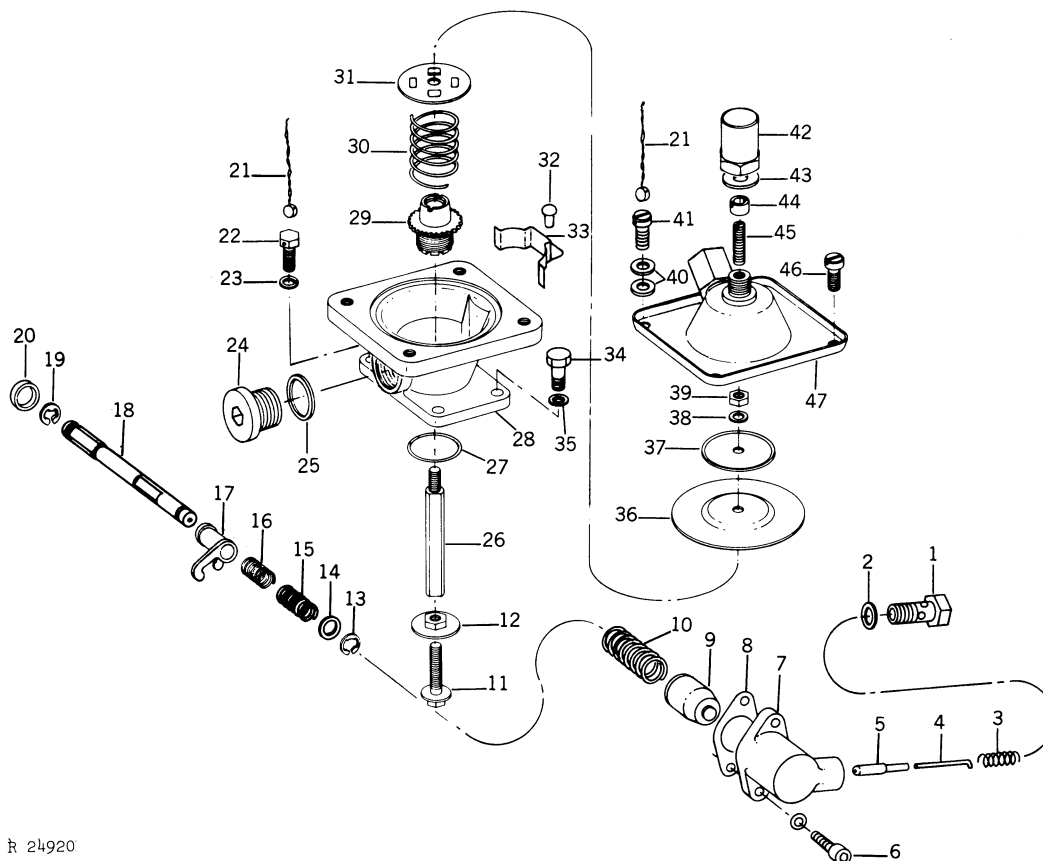
KEY	PART NO.	ENGINE SERIAL NO.	DESCRIPTION
1	R 55064	(-)	GASKET
2	AR 77812	(-)	HOUSING, GOVERNOR
3	R 53885	(-)	SCREW, FILL. HD. (6 USED)
4	T 24229	(-)	WASHER, LOCK (6 USED)
5	R 53972	(-)	KEY, WOODRUFF
6	T 31575	(-)	WIRE, SEALING
7	R 53918	(-)	SEAL, LEAD
8	T 53917	(-)	CAPSULE, SEALING
9	R 54938	(-)	NUT, LOCK
10	R 54937	(-)	SCREW, HIGH SPEED STOP
11	R 53919	(-)	SPACER
12	R 53945	(-)	SCREW, SPECIAL
13	R 53915	(-)	SCREW, SPECIAL
14	AR 61171	(-)	TUBE (2 USED) (SUB. R54921)
15	R 53912	(-)	BRACKET
16	R 53911	(-)	FLYWHEEL ASSEMBLY
17	R 54921	(-)	WASHER, LOCK
18	AR 61172	(-)	NUT, ROUND
19	R 53920	(-)	SPRING, STARTING
	R 53921	(-)	BEARING, ASSEMBLY
	R 53922	(-)	SHIM, .008" (0.2MM) (USE AS REQUIRED)
	R 53923	(-)	SHIM, .012" (0.3MM) (USE AS REQUIRED)
	R 53924	(-)	SHIM, .016" (0.4MM) (USE AS REQUIRED)
20	R 53924	(-)	SHIM, .039" (1.0MM) (USE AS REQUIRED)
21	R 53943	(-)	LEVER, GUIDE
22	AR 61174	(-)	SPRING, GOVERNOR, MAIN
23	R 53931	(-)	LEVER, SWIVELING
24	R 53930	(-)	SLIDER
25	R 53932	(-)	LEVER, FLOATING
26	AR 63569	(-)	RING, RETAINING (2 USED)
27	R 53953	(-)	SHACKLE
		(-)	CLIP, RETAINING

FUEL INJECTION PUMP GOVERNOR - CONTINUED
(6404T)
(ENGINE SERIAL NO. 445570-)
CODE 1601 INJECTION PUMP, REGULAR GOVERNOR

KEY	PART NO.	ENGINE SERIAL NO.	DESCRIPTION
28	R 53950	(-)	SPRING, .768" (19.5MM)
29	R 53951	(-)	SPRING, .925" (23.5MM)
30	R 53952	(-)	SPRING, 1.043" (26.5MM)
31	R 53949	(-)	CAPSULE, SPRING LEVER
32	R 53946	(-)	BUSHING, THREADED
33	R 54922	(-)	SPRING
34	R 60921	(-)	SCREW, SPECIAL
35	AR 63565	(-)	LEVER, SHUT-OFF
36	T 24229	(-)	WASHER, LOCK
37	R 53976	(-)	SCREW
38	R 53956	(-)	RETAINER, SPRING
39	R 53955	(-)	O-RING
40	R 53947	(-)	SHAFT
41	R 53948	(-)	LEVER
42	R 53923	(-)	PIN
43	R 53958	(-)	PIN, STOP
44	AR 65361	(-)	COVER, GOVERNOR
45	R 53936	(-)	RING, RETAINING (2 USED)
46	R 53935	(-)	O-RING (2 USED)
47	R 53934	(-)	BUSHING (2 USED)
48	R 53937	(-)	O-RING
49	R 53938	(-)	SPACER, .012" (0.3MM) (USE AS REQUIRED)
	R 53939	(-)	SPACER, .039" (1.0MM) (USE AS REQUIRED)
	R 53940	(-)	SPACER, .0196" (0.5MM) (USE AS REQUIRED)
50	AR 63564	(-)	LEVER, CONTROL, L.H.
51	R 53976	(-)	SCREW
52	T 24229	(-)	WASHER, LOCK
53	R 53942	(-)	WASHER
54	R 53960	(-)	NUT, CAP
55	T 24224	(-)	WASHER, COPPER (2 USED)
56	R 53959	(-)	SCREW, LOW IDLE STOP
57	R 54300	(-)	DECAL, GOVERNOR CALIBRATING
58	R 54924	(-)	SPRING
59	R 53961	(-)	CAPSULE, SPRING
60	T 24282	(-)	NUT, HEX
61	R 53963	(-)	NUT, LOCK
62	R 53964	(-)	NUT, CAP
63	T 25118	(-)	WASHER, COPPER (2 USED)
64	R 55066	(-)	BRACKET
I	R 53300	(-)	CLIP (PUMP SHUT-OFF CABLE)
I	37H 133	(-)	SCREW, TAPPING, NO. 8 X 5/8"
65	R 53976	(-)	SCREW, INNER (2 USED)
66	R 53972	(-)	WIRE, SEALING
	T 31575	(-)	SEAL, LEAD
67	R 54926	(-)	SCREW, OUTER (2 USED)
68	AR 63566	(-)	COVER
69	R 53966	(-)	GASKET
70	T 31556	(-)	NUT, HEX
71	R 53969	(-)	SCREW, FILL. HD. (LOWER) (4 USED)
	R 53970	(-)	SCREW, FILL. HD. (UPPER) (2 USED)
72	R 53929	(-)	SCREW, FULL LOAD STOP
73	R 53928	(-)	NUT, LOCK
74	R 53926	(-)	SHAFT
75	R 53927	(-)	PLUG, SEALING (2 USED)
76	R 53971	(-)	GASKET
77	R 53925	(-)	LEVER, TENSIONING
78	AR 73861	(-)	CAPSULE, TORQUE CONTROL, COMPLETE
79	R 60916	(-)	PLUG, CAP
80	R 54932	(-)	O-RING

FUEL INJECTION PUMP ANEROID
 (6404T)
 (ENGINE SERIAL NO. 445570-)
 CODE 1601 INJECTION SYSTEM, REGULAR GOVERNOR

R24920



R 24920

KEY	PART NO.	ENGINE SERIAL NO.	DESCRIPTION
1	R 62106	(-)	SCREW, SPECIAL
2	R 62107	(-)	WASHER, COPPER (2 USED)
3	R 26373	(-)	SPRING
4	R 62105	(-)	WIRE, RESTRICTOR
5	R 62104	(-)	VALVE, CAPILLARY
6	R 63063	(-)	SCREW, SPECIAL (2 USED)
7	R 63062	(-)	HOUSING
8	R 63061	(-)	GASKET
9	R 63060	(-)	PISTON
10	R 63059	(-)	SPRING
11	R 53932	(-)	RING, RETAINING
12	R 63058	(-)	WASHER
13	R 53995	(-)	SCREW
14	R 54933	(-)	NUT, STOP
15	R 63057	(-)	SPRING
16	R 63054	(-)	SHAFT
17	R 63056	(-)	SPRING
18	R 63064	(-)	LEVER
19	R 53997	(-)	RING, RETAINING
20	R 54936	(-)	PLUG
21	R 53972	(-)	WIRE, SEALING (2 USED)
22	T 31575	(-)	SEAL, LEAD (2 USED)
23	R 53991	(-)	SCREW, WITH HOLE (2 USED)
24	T 24229	(-)	WASHER, LOCK (2 USED)
25	R 54005	(-)	PLUG
26	R 54004	(-)	WASHER
27	R 54931	(-)	SHAFT

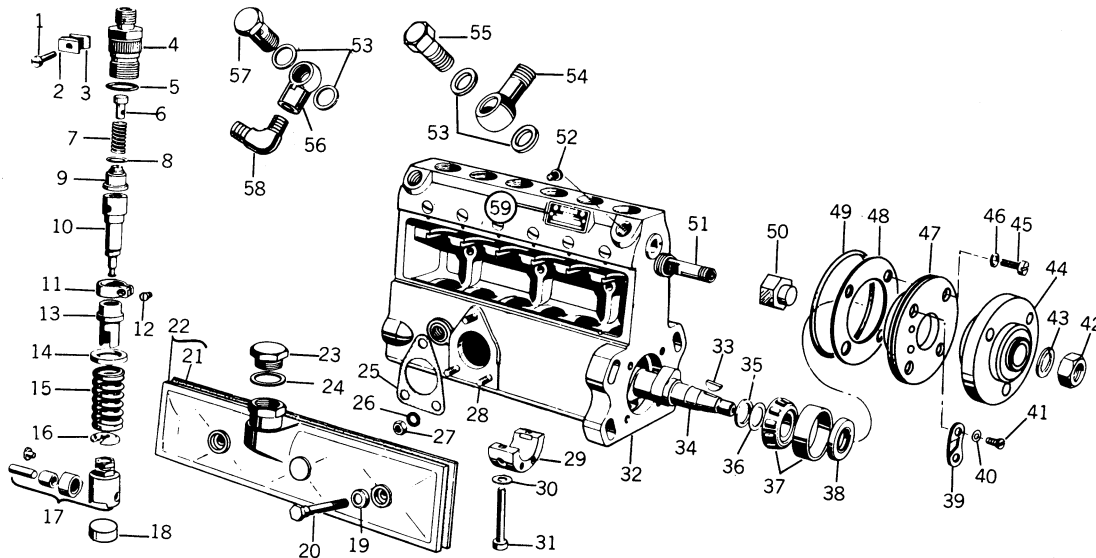
THIS PARTS LISTING IS CONTINUED
 OEM ENGINES AND ACCESSORIES - 6404D, 6404T, AND 6404A PC-1554 (10-DEC-76) LITHO IN U.S.A.

FUEL INJECTION PUMP ANEROID - CONTINUED
(6404T)
(ENGINE SERIAL NO. 445570-)
CODE 1601 INJECTION SYSTEM, REGULAR GOVERNOR

KEY	PART NO.	ENGINE SERIAL NO.	DESCRIPTION
27	R 54932	(-)	O-RING
28	AR 63568	(-)	HOUSING, ANEROID
29	R 53978	(-)	BUSHING, GUIDE
30	R 53982	(-)	SPRING
31	R 53985	(-)	SEAT, SPRING, UPPER
32	R 60911	(-)	STAKE
33	R 60910	(-)	CLIP
34	R 53981	(-)	SCREW (2 USED)
35	T 24229	(-)	WASHER, LOCK (2 USED)
36	R 53983	(-)	DIAPHRAGM
37	R 53986	(-)	WASHER, THRUST
38	R 53987	(-)	WASHER, LOCK
39	T 31556	(-)	NUT, HEX
40	R 53942	(-)	WASHER (2 USED)
41	R 54930	(-)	SCREW, WITH HOLE
42	R 53988	(-)	NUT, CAP
43	T 24223	(-)	GASKET
44	R 54006	(-)	NUT, ROUND
45	T 32330	(-)	SCREW, THREADED
46	R 54887	(-)	SCREW, FILL. HD. (3 USED)
47	R 53989	(-)	COVER
..	AR 63830	(-)	ANEROID, COMPLETE

**FUEL INJECTION PUMP PARTS
(6404T)
(ENGINE SERIAL NO. 445570-)
CODE 1604 INJECTION SYSTEM, 3%-5% GOVERNOR**

R25427



R 25427

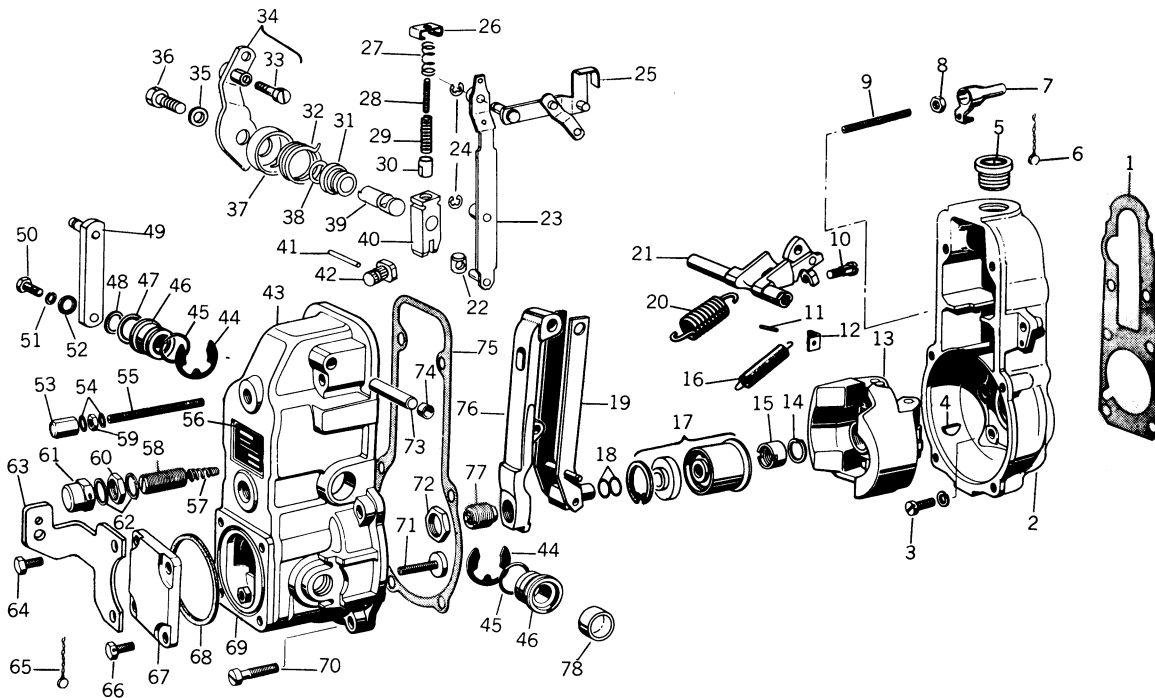
KEY	PART NO.	ENGINE SERIAL NO.	DESCRIPTION
1	R 54859	(-)	SCREW (3 USED)
2	R 54857	(-)	JAW, CLAMPING, WITH THROUGH HOLE (3 USED)
3	R 54858	(-)	JAW, CLAMPING, WITH THREADED HOLE (3 USED)
4	R 63065	(-)	HOLDER, DELIVERY VALVE (6 USED)
5	R 54856	(-)	O-RING (6 USED)
6	R 54881	(-)	SPACER (6 USED)
7	R 54854	(-)	SPRING (6 USED)
8	R 54853	(-)	GASKET (6 USED)
9	AR 63554	(-)	VALVE, DELIVERY (6 USED)
10	AR 63553	(-)	PLUNGER AND BARREL (6 USED)
11	R 54851	(-)	SEGMENT, GEAR (6 USED)
12	R 54852	(-)	SCREW (6 USED)
13	R 54850	(-)	SLEEVE, CONTROL (6 USED)
14	R 54849	(-)	SEAT, SPRING, UPPER (6 USED)
15	R 54848	(-)	SPRING (6 USED)
16	R 54847	(-)	SEAT, SPRING, LOWER (6 USED)
17	AR 63552	(-)	TAPPET, ROLLER, ASSEMBLY (6 USED)
18	R 54846	(-)	PLUG, PUMP HOUSING, BASE (6 USED)
19	T 24224	(-)	WASHER, COPPER (2 USED)
20	R 54876	(-)	SCREW, INSPECTION COVER (2 USED)
21	R 54875	(-)	GASKET
22	AR 63557	(-)	COVER, INJECTION PUMP, WITH GASKET
23	R 54877	(-)	PLUG, CLOSING
24	R 54004	(-)	GASKET
25	R 53161	(-)	GASKET
26	T 24229	(-)	WASHER, LOCK (3 USED)
27	T 31556	(-)	NUT (3 USED)
28	R 53897	(-)	STUD (3 USED)
29	R 54878	(-)	SUPPORT, CENTER BEARING
30	R 54880	(-)	WASHER, LOCK (2 USED)
31	R 54879	(-)	SCREW (2 USED)
32	AR 63551	(-)	HOUSING, PUMP
33	R 53888	(-)	KEY, WOODRUFF
34	R 54862	(-)	CAMSHAFT
35	R 54863	(-)	SPACER, GOVERNOR END

FUEL INJECTION PUMP PARTS - CONTINUED
(6404T)
(ENGINE SERIAL NO. 445570-)
CODE 1604 INJECTION SYSTEM, 3%-5% GOVERNOR

KEY	PART NO.	ENGINE SERIAL NO.	DESCRIPTION
36	R 55152	(-)	SHIM, .0039" (0.10MM) (USE AS REQUIRED) (DRIVE END)
	R 54864	(-)	SHIM, .0047" (0.12MM) (USE AS REQUIRED) (DRIVE END)
	R 54865	(-)	SHIM, .0055" (0.14MM) (USE AS REQUIRED) (DRIVE END)
	R 54866	(-)	SHIM, .0063" (0.16MM) (USE AS REQUIRED) (DRIVE END)
	R 54867	(-)	SHIM, .0071" (0.18MM) (USE AS REQUIRED) (DRIVE END)
	R 54868	(-)	SHIM, .0197" (0.50MM) (USE AS REQUIRED) (DRIVE END)
	R 54869	(-)	SHIM, .0118" (0.30MM) (USE AS REQUIRED) (DRIVE END)
	R 54870	(-)	SHIM, .0039" (0.10MM) (USE AS REQUIRED) (GOVERNOR END)
	R 55153	(-)	SHIM, .0047" (0.12MM) (USE AS REQUIRED) (GOVERNOR END)
	R 55154	(-)	SHIM, .0055" (0.14MM) (USE AS REQUIRED) (GOVERNOR END)
	R 55155	(-)	SHIM, .0063" (0.16MM) (USE AS REQUIRED) (GOVERNOR END)
	R 55156	(-)	SHIM, .0071" (0.18MM) (USE AS REQUIRED) (GOVERNOR END)
	R 55157	(-)	SHIM, .0197" (0.50MM) (USE AS REQUIRED) (GOVERNOR END)
	R 55159	(-)	SHIM, .0390" (1.00MM) (USE AS REQUIRED) (GOVERNOR END)
	R 55160	(-)	SHIM, .0118" (0.30MM) (USE AS REQUIRED) (GOVERNOR END)
	R 55158	(-)	SHIM, .0118" (0.30MM) (USE AS REQUIRED) (GOVERNOR END)
37	AR 63555	(-)	BEARING, TAPER ROLLER (DRIVE END)
	AR 63941	(-)	BEARING, TAPER ROLLER (GOVERNOR END)
38	AR 63556	(-)	SEAL
39	R 54882	(-)	POINTER, TIMING
40	R 54884	(-)	WASHER (2 USED)
41	R 54883	(-)	SCREW (2 USED)
42	R 53886	(-)	NUT, HEX
43	R 53887	(-)	WASHER, LOCK
44	R 54885	(-)	HUB, DRIVE
45	R 60908	(-)	SCREW (2 USED)
46	R 54874	(-)	WASHER, LOCK (2 USED)
47	R 54872	(-)	ENDPLATE BEARING
48	R 54873	(-)	O-RING
49	R 60909	(-)	GASKET
50	AR 69158	(-)	CAP, CONTROL RACK, WITH MAGNET
51	R 54860	(-)	RACK, CONTROL
52	R 54861	(-)	SCREW, RACK LOCATING
53	R 53901	(-)	GASKET (4 USED)
54	R 58608	(-)	CONNECTOR, BANJO
55	R 53903	(-)	SCREW, HOLLOW
56	R 53162	(-)	CONNECTOR, BANJO
57	R 53903	(-)	SCREW, HOLLOW
58	R 57641	(-)	ELBOW, 90°
59	T 31508	(-)	NAMEPLATE

FUEL INJECTION PUMP GOVERNOR
(6404T)
(ENGINE SERIAL NO. 445570-)
CODE 1604 INJECTION SYSTEM, 3%-5% GOVERNOR

R25431



R 25431

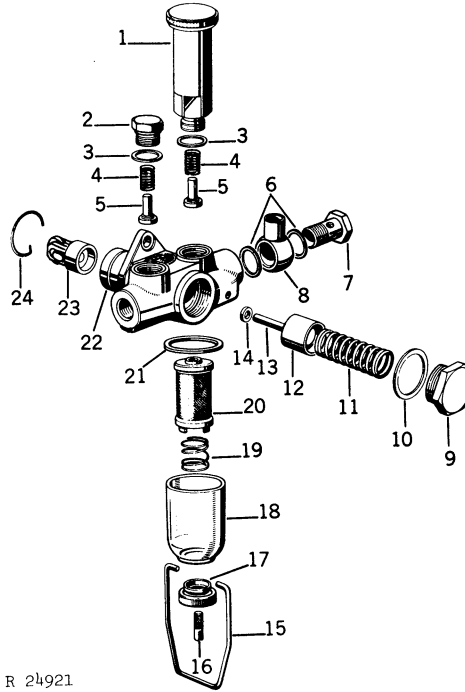
KEY	PART NO.	ENGINE SERIAL NO.	DESCRIPTION
1	R 55064	(-)	GASKET
2	R 56989	(-)	HOUSING, GOVERNOR
3	R 53885	(-)	SCREW, FILL HD. (6 USED)
4	T 24229	(-)	WASHER, LOCK (6 USED)
5	R 24295	(-)	KEY, WOODRUFF
6	R 56990	(-)	PLUG
7	R 53972	(-)	WIRE, SEALING
8	T 31575	(-)	SEAL, LEAD
9	R 53918	(-)	CAPSULE, SEALING
10	AR 63560	(-)	SEAL, STOP SCREW (SUB. R53972 AND T31575)
11	T 31556	(-)	NUT, LOCK
12	R 53917	(-)	SCREW, HIGH SPEED STOP
13	R 60915	(-)	SCREW
14	R 53945	(-)	TUBE (2 USED) (SUB. R54921)
15	R 60912	(-)	BRACKET
16	AR 73730	(-)	FLYWEIGHT ASSEMBLY
17	R 53912	(-)	WASHER, LOCK
18	R 53911	(-)	NUT, RD.
19	R 54921	(-)	SPRING, STARTING
20	AR 61172	(-)	BEARING, ASSEMBLY
21	R 53920	(-)	SHIM, .008" (0.2MM) (USE AS REQUIRED)
22	R 53921	(-)	SHIM, .012" (0.3MM) (USE AS REQUIRED)
23	R 53922	(-)	SHIM, .016" (0.4MM) (USE AS REQUIRED)
24	R 53923	(-)	SHIM, .039" (1.0MM) (USE AS REQUIRED)
25	R 53924	(-)	LEVER, GUIDE
26	R 60913	(-)	SPRING, GOVERNOR, MAIN
27	AR 61174	(-)	LEVER, SWIVELING
28	R 53931	(-)	SLIDER
29	R 53930	(-)	LEVER, FLOATING
30	R 53932	(-)	RING, RETAINING (2 USED)
31	AR 73858	(-)	SHACKLE
32	R 53953	(-)	CLIP, RETAINING

FUEL INJECTION PUMP GOVERNOR - CONTINUED
(6404T)
(ENGINE SERIAL NO. 445570-)
CODE 1604 INJECTION SYSTEM, 3%-5% GOVERNOR

KEY	PART NO.	ENGINE SERIAL NO.	DESCRIPTION
27	R	53950	(-) SPRING, .768" (19.5MM)
28	R	53951	(-) SPRING, .925" (23.5MM)
29	R	53952	(-) SPRING, 1.043" (26.5MM)
30	R	53949	(-) CAPSULE, SPRING LEVER
31	R	53946	(-) BUSHING, THREADED
32	R	54922	(-) SPRING
33	R	60921	(-) SCREW, SPECIAL
34	AR	63565	(-) LEVER, SHUT-OFF
35	T	24229	(-) WASHER, LOCK
36	R	53941	(-) SCREW, SPECIAL
37	R	53956	(-) RETAINER, SPRING
38	R	53955	(-) O-RING
39	R	53947	(-) SHAFT
40	R	53948	(-) LEVER
41	R	54923	(-) PIN
42	R	53958	(-) PIN, STOP
43	AR	63561	(-) COVER, GOVERNOR
44	R	53936	(-) RING, RETAINING (2 USED)
45	R	53935	(-) O-RING (2 USED)
46	R	53934	(-) BUSHING (2 USED)
47	R	53937	(-) O-RING
48	R	53938	(-) SPACER, .012" (0.3MM) (USE AS REQUIRED)
	R	53939	(-) SPACER, .039" (1.0MM) (USE AS REQUIRED)
	R	53940	(-) SPACER, .0196" (0.5MM) (USE AS REQUIRED)
49	R	55065	(-) LEVER, CONTROL, R.H.
50	R	53976	(-) SCREW, SPECIAL
51	T	24229	(-) WASHER, LOCK
52	R	53942	(-) WASHER
53	R	53960	(-) NUT, CAP
54	T	24224	(-) WASHER, COPPER (2 USED)
55	R	60914	(-) SCREW, LOW IDLE STOP
56	R	54300	(-) DECAL, GOVERNOR CALIBRATING
57	R	53962	(-) SPRING
58	R	53961	(-) CAPSULE, SPRING
59	T	24282	(-) NUT, HEX.
60	R	53963	(-) NUT, LOCK
61	R	53964	(-) NUT, CAP
62	T	25118	(-) WASHER, COPPER (2 USED)
63	R	55066	(-) BRACKET, BOWDEN WIRE
I	R	53300	(-) CLIP (PUMP SHUT-OFF CABLE)
I	37H	133	(-) SCREW, TAPPING, NO. 8 X 5/8"
64	R	60908	(-) SCREW, UPPER (2 USED)
65	R	53972	(-) WIRE, SEALING
	T	31575	(-) SEAL, LEAD
66	R	54926	(-) SCREW, LOWER (2 USED)
67	AR	63566	(-) COVER
68	R	53966	(-) GASKET
69	T	31556	(-) NUT, HEX
70	R	53969	(-) SCREW, FILL. HD. (LOWER) (4 USED)
	R	53970	(-) SCREW, FILL. HD. (UPPER) (4 USED)
71	R	53929	(-) SCREW, FULL LOAD STOP
72	R	53928	(-) NUT, LOCK
73	R	53926	(-) SHAFT
74	R	53927	(-) PLUG, SEALING (2 USED)
75	R	53971	(-) GASKET
76	R	53925	(-) LEVER, TENSIONING
77	AR	73859	(-) CAPSULE, TORQUE CONTROL, COMPLETE
78	R	60916	(-) PLUG, CAP

**FUEL TRANSFER PUMP
(6404T)
(ENGINE SERIAL NO. 445570-)
CODE 1601 INJECTION PUMP, REGULAR GOVERNOR
CODE 1604 INJECTION SYSTEM, 3%-5% GOVERNOR**

R24921

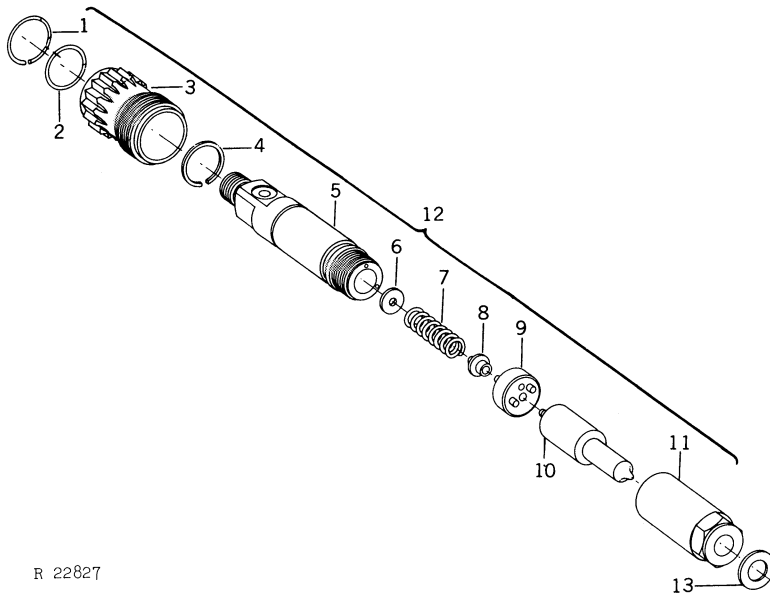


R 24921

KEY	PART NO.	ENGINE SERIAL NO.	DESCRIPTION
1	R 54033	(-)	PRIMER, HAND
2	R 54024	(-)	PLUG, SCREW
3	R 54025	(-)	GASKET (2 USED)
4	R 54023	(-)	SPRING (2 USED)
5	R 54022	(-)	VALVE (2 USED)
6	R 53901	(-)	GASKET (4 USED)
7	R 53903	(-)	SCREW, HOLLOW (2 USED)
8	R 53902	(-)	FITTING, BANJO (2 USED)
9	R 55069	(-)	PLUG, SCREW
10	R 54016	(-)	GASKET
11	R 54011	(-)	SPRING
12	...	(-)	PLUNGER, PUMP (ORDER AR63831)
13	...	(-)	SPINDLE, PRESSURE (ORDER AR63831)
14	R 54013	(-)	O-RING
15	R 54030	(-)	CLIP
16	R 54032	(-)	BOLT, STUD
17	R 54031	(-)	NUT, CLAMPING
18	R 54027	(-)	HOUSING, FILTER (GLASS)
19	R 54029	(-)	SPRING
20	R 54026	(-)	FILTER
21	R 54028	(-)	GASKET
22	AR 63831	(-)	PUMP, FUEL TRANSFER, COMPLETE (INCLUDES ALL PARTS SHOWN ON THIS PAGE)
23	AR 73857	(-)	TAPPET, ROLLER
24	R 54021	(-)	RING, SNAP
..	R 53161	(-)	GASKET, FUEL TRANSFER PUMP

**FUEL INJECTION NOZZLE
(6404T)**
(ENGINE SERIAL NO. 445570-)
CODE 1601 INJECTION SYSTEM, REGULAR GOVERNOR
CODE 1604 INJECTION SYSTEM, 3%-5% GOVERNOR

R22827

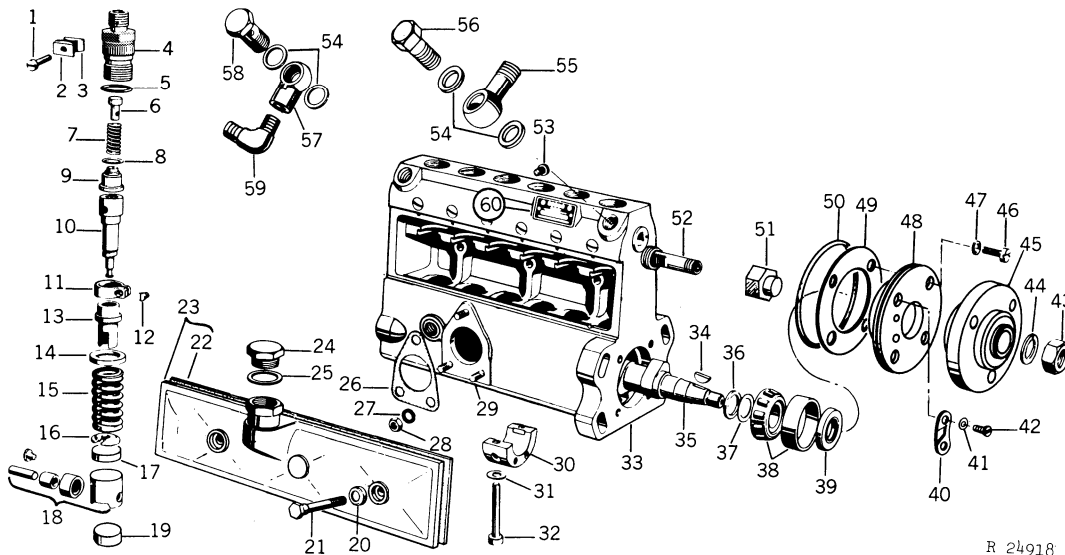


R 22827

KEY	PART NO.	ENGINE SERIAL NO.	DESCRIPTION
1	R 60277	(-)	RING, SNAP
2	R 51603	(-)	O-RING, 5/8" X 3/32" (15.55MM X 2.62MM)
3	R 33259	(-)	O-RING, 9/16" X 1/16" (14.00MM X 1.78MM)
3	R 60279	(-)	SCREW, HOLLOW
4	R 60278	(-)	RING, SNAP
5	R 60272	(-)	HOLDER, NOZZLE
6	R 60280	(-)	SHIM, .039" (0.99MM) PRESSURE ADJUSTING
	R 60281	(-)	SHIM, .041" (1.04MM) PRESSURE ADJUSTING
	R 60282	(-)	SHIM, .043" (1.09MM) PRESSURE ADJUSTING
	R 60283	(-)	SHIM, .045" (1.14MM) PRESSURE ADJUSTING
	R 60284	(-)	SHIM, .047" (1.19MM) PRESSURE ADJUSTING
	R 60285	(-)	SHIM, .049" (1.24MM) PRESSURE ADJUSTING
	R 60286	(-)	SHIM, .051" (1.29MM) PRESSURE ADJUSTING
	R 60287	(-)	SHIM, .053" (1.34MM) PRESSURE ADJUSTING
	R 60288	(-)	SHIM, .055" (1.39MM) PRESSURE ADJUSTING
	R 60289	(-)	SHIM, .057" (1.44MM) PRESSURE ADJUSTING
	R 60290	(-)	SHIM, .059" (1.49MM) PRESSURE ADJUSTING
	R 60291	(-)	SHIM, .061" (1.54MM) PRESSURE ADJUSTING
	R 60292	(-)	SHIM, .063" (1.60MM) PRESSURE ADJUSTING
	R 60293	(-)	SHIM, .065" (1.65MM) PRESSURE ADJUSTING
	R 60294	(-)	SHIM, .067" (1.70MM) PRESSURE ADJUSTING
	R 60295	(-)	SHIM, .069" (1.75MM) PRESSURE ADJUSTING
	R 60296	(-)	SHIM, .071" (1.80MM) PRESSURE ADJUSTING
	R 60297	(-)	SHIM, .073" (1.85MM) PRESSURE ADJUSTING
	R 60298	(-)	SHIM, .075" (1.90MM) PRESSURE ADJUSTING
	R 60299	(-)	SHIM, .077" (1.95MM) PRESSURE ADJUSTING
7	R 60273	(-)	SPRING
8	R 60274	(-)	SEAT, SPRING
9	R 60275	(-)	PLATE, INTERMEDIATE
10	AR 74668	(-)	NOZZLE
11	R 60276	(-)	NUT, NOZZLE RETAINING
12	AR 73127	(-)	HOLDER, FUEL INJECTION, LESS NOZZLE (6 USED)
13	R 59104	(-)	WASHER, ALUMINUM (6 USED)

**FUEL INJECTION PUMP PARTS
(6404A)
(ENGINE SERIAL NO. 445570-)
CODE 1601 INJECTION SYSTEM - REGULAR GOVERNOR**

R24918



R 24918

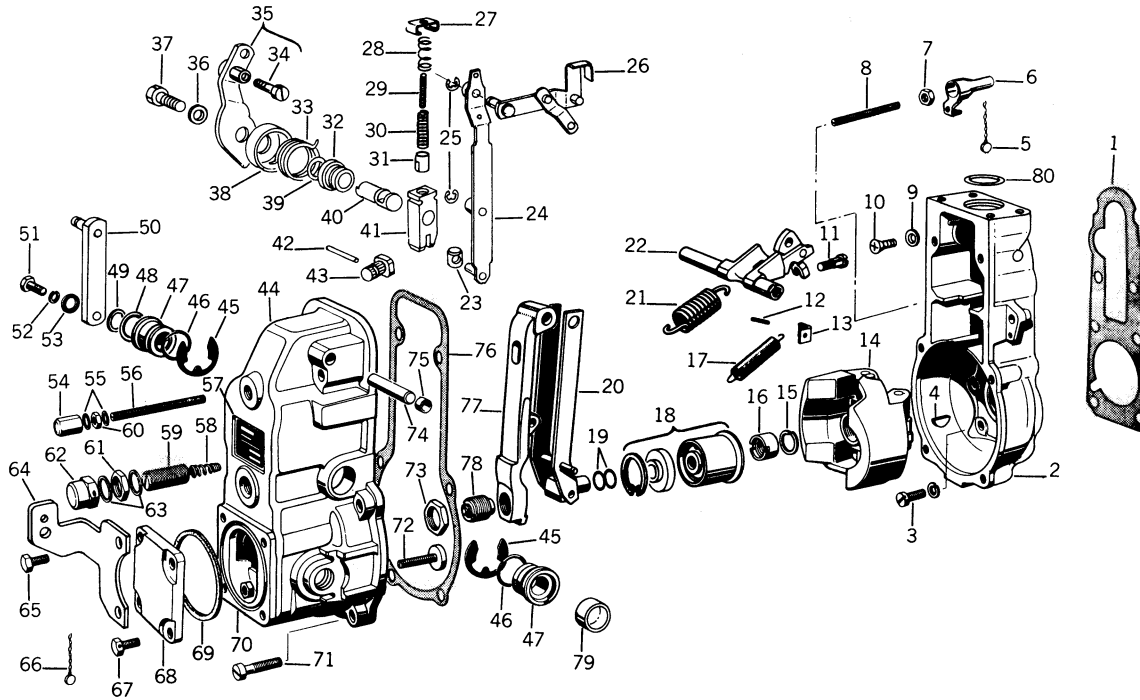
KEY	PART NO.	ENGINE SERIAL NO.	DESCRIPTION
1	R 54859	(-)	SCREW (3 USED)
2	R 54857	(-)	JAW, CLAMPING, WITH THROUGH HOLE (3 USED)
3	R 54858	(-)	JAW, CLAMPING, WITH THREADED HOLE (3 USED)
4	R 63065	(-)	HOLDER, DELIVERY VALVE (6 USED)
5	R 54856	(-)	O-RING (6 USED)
6	R 54881	(-)	SPACER (6 USED)
7	R 54854	(-)	SPRING (6 USED)
8	R 54853	(-)	GASKET (6 USED)
9	R 54892	(-)	VALVE, DELIVERY (6 USED)
10	AR 63559	(-)	PLUNGER AND BARREL (6 USED)
11	R 54851	(-)	SEGMENT, GEAR (6 USED)
12	R 54852	(-)	SCREW (6 USED)
13	R 54850	(-)	SLEEVE, CONTROL (6 USED)
14	R 54849	(-)	SEAT, SPRING, UPPER (6 USED)
15	R 54891	(-)	SPRING (6 USED)
16	R 54847	(-)	SEAT, SPRING, LOWER (6 USED)
17	R 54894	(-)	SPACER, .311" (7.90MM)
	R 54895	(-)	SPACER, .313" (7.95MM)
	R 54896	(-)	SPACER, .315" (8.00MM)
	R 54897	(-)	SPACER, .317" (8.05MM)
	R 54898	(-)	SPACER, .319" (8.10MM)
	R 54899	(-)	SPACER, .321" (8.15MM)
	R 54900	(-)	SPACER, .323" (8.20MM)
	R 54901	(-)	SPACER, .325" (8.25MM)
	R 54902	(-)	SPACER, .327" (8.30MM)
	R 54903	(-)	SPACER, .329" (8.35MM)
	R 54904	(-)	SPACER, .331" (8.40MM)
	R 54905	(-)	SPACER, .333" (8.45MM)
	R 54906	(-)	SPACER, .335" (8.50MM)
	R 54907	(-)	SPACER, .337" (8.55MM)
	R 54908	(-)	SPACER, .339" (8.60MM)
	R 54909	(-)	SPACER, .341" (8.65MM)
	R 54910	(-)	SPACER, .343" (8.70MM)
	R 54911	(-)	SPACER, .345" (8.75MM)
	R 54912	(-)	SPACER, .346" (8.80MM)
18	AR 63829	(-)	TAPPET, ROLLER, ASSEMBLY (6 USED)
19	R 55063	(-)	PLUG, PUMP HOUSING, BASE (6 USED)

FUEL INJECTION PUMP PARTS - CONTINUED
(6404A)
(ENGINE SERIAL NO. 445570-)
CODE 1601 INJECTION SYSTEM, REGULAR GOVERNOR

KEY	PART NO.	ENGINE SERIAL NO.	DESCRIPTION
20	T 24224	(-)	WASHER, COPPER (2 USED)
21	R 54876	(-)	SCREW, INSPECTION COVER (2 USED)
22	R 54875	(-)	GASKET
23	AR 63557	(-)	COVER, INSPECTION, WITH GASKET
24	R 54877	(-)	PLUG, CLOSING
25	R 54004	(-)	GASKET
26	R 53161	(-)	GASKET
27	T 24229	(-)	WASHER, LOCK (3 USED)
28	T 31556	(-)	NUT (3 USED)
29	R 53897	(-)	STUD (3 USED)
30	R 55062	(-)	SUPPORT, CENTER BEARING
31	R 54880	(-)	WASHER, LOCK (2 USED)
32	R 54879	(-)	SCREW (2 USED)
33	AR 63558	(-)	HOUSING, PUMP
34	R 53888	(-)	KEY, WOODRUFF
35	R 54893	(-)	CAMSHAFT
36	R 54863	(-)	SPACER, GOVERNOR END
37	R 55152	(-)	SHIM, .0039" (0.10MM) (USE AS REQUIRED) (DRIVE END)
	R 54864	(-)	SHIM, .0047" (0.12MM) (USE AS REQUIRED) (DRIVE END)
	R 54865	(-)	SHIM, .0055" (0.14MM) (USE AS REQUIRED) (DRIVE END)
	R 54866	(-)	SHIM, .0063" (0.16MM) (USE AS REQUIRED) (DRIVE END)
	R 54867	(-)	SHIM, .0071" (0.18MM) (USE AS REQUIRED) (DRIVE END)
	R 54868	(-)	SHIM, .0197" (0.50MM) (USE AS REQUIRED) (DRIVE END)
	R 54869	(-)	SHIM, .0118" (0.30MM) (USE AS REQUIRED) (DRIVE END)
	R 54870	(-)	SHIM, .0039" (0.10MM) (USE AS REQUIRED) (GOVERNOR END)
	R 55153	(-)	SHIM, .0047" (0.12MM) (USE AS REQUIRED) (GOVERNOR END)
	R 55154	(-)	SHIM, .0055" (0.14MM) (USE AS REQUIRED) (GOVERNOR END)
	R 55155	(-)	SHIM, .0063" (0.16MM) (USE AS REQUIRED) (GOVERNOR END)
	R 55156	(-)	SHIM, .0071" (0.18MM) (USE AS REQUIRED) (GOVERNOR END)
	R 55157	(-)	SHIM, .0197" (0.50MM) (USE AS REQUIRED) (GOVERNOR END)
	R 55159	(-)	SHIM, .0390" (1.00MM) (USE AS REQUIRED) (GOVERNOR END)
	R 55160	(-)	SHIM, .0118" (0.30MM) (USE AS REQUIRED) (GOVERNOR END)
	R 55158	(-)	SHIM, .0118" (0.30MM) (USE AS REQUIRED) (GOVERNOR END)
38	AR 63555	(-)	BEARING, TAPER ROLLER (DRIVE END)
	AR 63941	(-)	BEARING, TAPER ROLLER (GOVERNOR END)
39	AR 63556	(-)	SEAL
40	R 54882	(-)	POINTER, TIMING
41	R 54884	(-)	WASHER (2 USED)
42	R 54883	(-)	SCREW (2 USED)
43	R 53886	(-)	NUT, HEX
44	R 53887	(-)	WASHER, LOCK
45	R 54885	(-)	HUB, DRIVE
46	R 60908	(-)	SCREW (2 USED)
47	R 54874	(-)	WASHER, LOCK (2 USED)
48	R 54872	(-)	ENDPLATE BEARING
49	R 54873	(-)	O-RING
50	R 60909	(-)	GASKET
51	AR 69158	(-)	CAP, CONTROL RACK, WITH MAGNET
52	R 54860	(-)	RACK, CONTROL
53	R 54861	(-)	SCREW, RACK LOCATING
54	R 53901	(-)	GASKET (4 USED)
55	R 58608	(-)	CONNECTOR, BANJO
56	R 53903	(-)	SCREW, HOLLOW
57	R 53162	(-)	CONNECTOR, BANJO
58	R 53903	(-)	SCREW, HOLLOW
59	U 45538	(-)	ELBOW, 90°
60	T 31508	(-)	NAMEPLATE

**FUEL INJECTION PUMP GOVERNOR
(6404A)
(ENGINE SERIAL NO. 445570-)
CODE 1601 INJECTION PUMP, REGULAR GOVERNOR**

R24919



R 24919

KEY	PART NO.	ENGINE SERIAL NO.	DESCRIPTION
1	R 55064	(-)	GASKET
2	AR 77812	(-)	HOUSING, GOVERNOR
3	R 53885	(-)	SCREW, FILL. HD. (6 USED)
4	T 24229	(-)	WASHER, LOCK (6 USED)
5	T 24295	(-)	KEY, WOODRUFF
6	R 53972	(-)	WIRE, SEALING
7	T 31575	(-)	SEAL, LEAD
8	R 53918	(-)	CAPSULE, SEALING
9	T 31556	(-)	NUT, LOCK
10	R 53917	(-)	SCREW, HIGH SPEED STOP
11	R 54938	(-)	SPACER
12	R 54937	(-)	SCREW, SPECIAL
13	R 53919	(-)	SCREW, SPECIAL
14	R 53945	(-)	TUBE (2 USED) (SUB. R54921)
15	R 53915	(-)	BRACKET
16	AR 61171	(-)	FLYWHEEL ASSEMBLY
17	R 53912	(-)	WASHER, LOCK
18	R 53911	(-)	NUT, ROUND
19	R 54921	(-)	SPRING, STARTING
20	AR 61172	(-)	BEARING, ASSEMBLY
21	R 53920	(-)	SHIM, .008" (0.2MM) (USE AS REQUIRED)
22	R 53921	(-)	SHIM, .012" (0.3MM) (USE AS REQUIRED)
23	R 53922	(-)	SHIM, .016" (0.4MM) (USE AS REQUIRED)
24	R 53923	(-)	SHIM, .039" (1.0MM) (USE AS REQUIRED)
25	R 53924	(-)	LEVER, GUIDE
26	R 53943	(-)	SPRING, GOVERNOR, MAIN
27	AR 61174	(-)	LEVER, SWIVELING
28	R 53931	(-)	SLIDER
29	R 53930	(-)	LEVER, FLOATING
30	R 53932	(-)	RING, RETAINING (2 USED)
31	AR 63569	(-)	SHACKLE
32	R 53953	(-)	CLIP, RETAINING

THIS PARTS LISTING IS CONTINUED

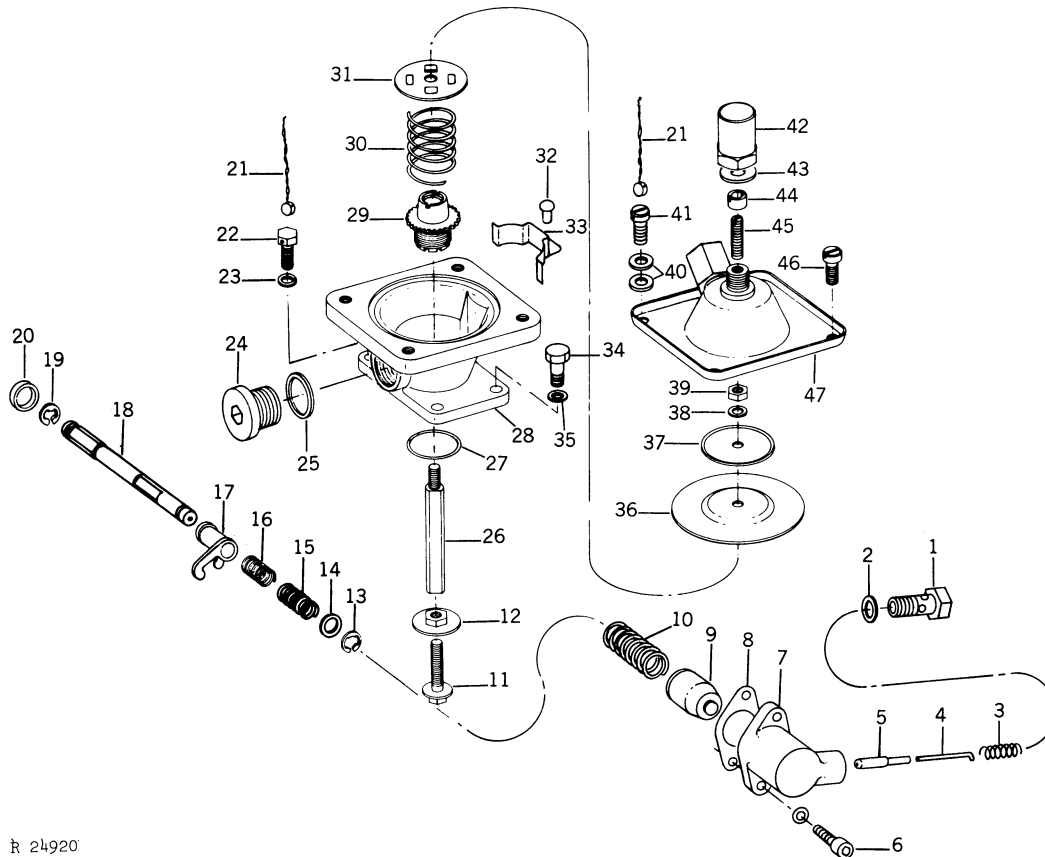
OEM ENGINES AND ACCESSORIES - 6404D, 6404T, AND 6404A PC-1554 (10-DEC-76) LITHO IN U.S.A.

FUEL INJECTION PUMP GOVERNOR - CONTINUED
(6404A)
(ENGINE SERIAL NO. 445570-)
CODE 1601 INJECTION PUMP, REGULAR GOVERNOR

KEY	PART NO.	ENGINE SERIAL NO.	DESCRIPTION
28	R 53950	(-)	SPRING, .768" (19.5MM)
29	R 53951	(-)	SPRING, .925" (23.5MM)
30	R 53952	(-)	SPRING, 1.043" (26.5MM)
31	R 53949	(-)	CAPSULE, SPRING LEVER
32	R 53946	(-)	BUSHING, THREADED
33	R 54922	(-)	SPRING
34	R 60921	(-)	SCREW, SPECIAL
35	AR 63565	(-)	LEVER, SHUT-OFF
36	T 24229	(-)	WASHER, LOCK
37	R 53976	(-)	SCREW
38	R 53956	(-)	RETAINER, SPRING
39	R 53955	(-)	O-RING
40	R 53947	(-)	SHAFT
41	R 53948	(-)	LEVER
42	R 53923	(-)	PIN
43	R 53958	(-)	PIN, STOP
44	AR 65361	(-)	COVER, GOVERNOR
45	R 53936	(-)	RING, RETAINING (2 USED)
46	R 53935	(-)	O-RING (2 USED)
47	R 53934	(-)	BUSHING (2 USED)
48	R 53937	(-)	O-RING
49	R 53938	(-)	SPACER, .012" (0.3MM) (USE AS REQUIRED)
	R 53939	(-)	SPACER, .039" (1.0MM) (USE AS REQUIRED)
	R 53940	(-)	SPACER, .0196" (0.5MM) (USE AS REQUIRED)
50	AR 63564	(-)	LEVER, CONTROL, L.H.
51	R 53976	(-)	SCREW
52	T 24229	(-)	WASHER, LOCK
53	R 53942	(-)	WASHER
54	R 53960	(-)	NUT, CAP
55	T 24224	(-)	WASHER, COPPER (2 USED)
56	R 53959	(-)	SCREW, LOW IDLE STOP
57	R 54300	(-)	DECAL, GOVERNOR CALIBRATING
58	R 54924	(-)	SPRING
59	R 53961	(-)	CAPSULE, SPRING
60	T 24282	(-)	NUT, HEX
61	R 53963	(-)	NUT, LOCK
62	R 53964	(-)	NUT, CAP
63	T 25118	(-)	WASHER, COPPER (2 USED)
64	R 55066	(-)	BRACKET
I	R 53300	(-)	CLIP (PUMP SHUT-OFF CABLE)
I	37H 133	(-)	SCREW, TAPPING, NO. 8 X 5/8"
65	R 53976	(-)	SCREW, INNER (2 USED)
66	R 53972	(-)	WIRE, SEALING
	T 31575	(-)	SEAL, LEAD
67	R 54926	(-)	SCREW, OUTER (2 USED)
68	AR 63566	(-)	COVER
69	R 53966	(-)	GASKET
70	T 31556	(-)	NUT, HEX
71	R 53969	(-)	SCREW, FILL. HD. (LOWER) (4 USED)
	R 53970	(-)	SCREW, FILL. HD. (UPPER) (2 USED)
72	R 53929	(-)	SCREW, FULL LOAD STOP
73	R 53928	(-)	NUT, LOCK
74	R 53926	(-)	SHAFT
75	R 53927	(-)	PLUG, SEALING (2 USED)
76	R 53971	(-)	GASKET
77	R 53925	(-)	LEVER, TENSIONING
78	AR 73861	(-)	CAPSULE, TORQUE CONTROL, COMPLETE
79	R 60916	(-)	PLUG, CAP
80	R 54932	(-)	O-RING

**FUEL INJECTION PUMP ANEROID
(6404A)
(ENGINE SERIAL NO. 445570-)
CODE 1601 INJECTION SYSTEM, REGULAR GOVERNOR**

R24920



R 24920

KEY	PART NO.	ENGINE SERIAL NO.	DESCRIPTION
1	R 62106	(-)	SCREW, SPECIAL
2	R 62107	(-)	WASHER, COPPER (2 USED)
3	R 26373	(-)	SPRING
4	R 62105	(-)	WIRE, RESTRICTOR
5	R 62104	(-)	VALVE, CAPILLARY
6	R 63063	(-)	SCREW, SPECIAL (2 USED)
7	R 63062	(-)	HOUSING
8	R 63061	(-)	GASKET
9	R 63060	(-)	PISTON
10	R 63059	(-)	SPRING
11	R 53932	(-)	RING, RETAINING
12	R 63058	(-)	WASHER
13	R 53995	(-)	SCREW
14	R 54933	(-)	NUT, STOP
15	R 63057	(-)	SPRING
16	R 63054	(-)	SHAFT
17	R 63056	(-)	SPRING
18	R 63064	(-)	LEVER
19	R 53997	(-)	RING, RETAINING
20	R 54936	(-)	PLUG
21	R 53972	(-)	WIRE, SEALING (2 USED)
	T 31575	(-)	SEAL, LEAD (2 USED)
22	R 53991	(-)	SCREW, WITH HOLE (2 USED)
23	T 24229	(-)	WASHER, LOCK (2 USED)
24	R 54005	(-)	PLUG
25	R 54004	(-)	WASHER
26	R 54931	(-)	SHAFT

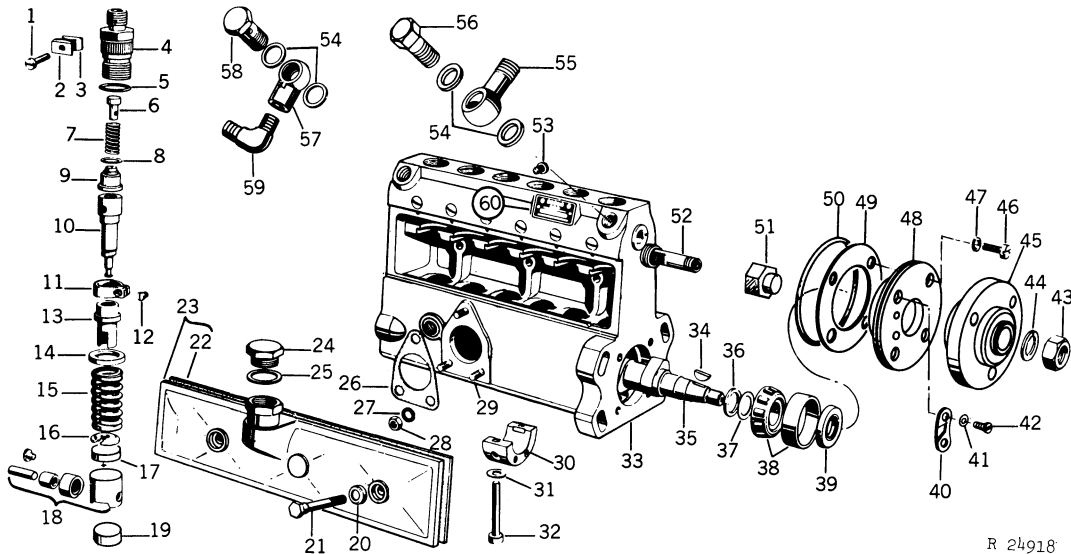
THIS PARTS LISTING IS CONTINUED
OEM ENGINES AND ACCESSORIES - 6404D, 6404T, AND 6404A PC-1554 (10-DEC-76) LITHO IN U.S.A.

FUEL INJECTION PUMP ANEROID - CONTINUED
(6404A)
(ENGINE SERIAL NO. 445570-)
CODE 1601 INJECTION SYSTEM, REGULAR GOVERNOR

KEY	PART NO.	ENGINE SERIAL NO.	DESCRIPTION
27	R 54932	(-)	O-RING
28	AR 63568	(-)	HOUSING, ANEROID
29	R 53978	(-)	BUSHING, GUIDE
30	R 53982	(-)	SPRING
31	R 53985	(-)	SEAT, SPRING, UPPER
32	R 60911	(-)	STAKE
33	R 60910	(-)	CLIP
34	R 53981	(-)	SCREW (2 USED)
35	T 24229	(-)	WASHER, LOCK (2 USED)
36	R 53983	(-)	DIAPHRAGM
37	R 53986	(-)	WASHER, THRUST
38	R 53987	(-)	WASHER, LOCK
39	T 31556	(-)	NUT, HEX
40	R 53942	(-)	WASHER (2 USED)
41	R 54930	(-)	SCREW, WITH HOLE
42	R 53988	(-)	NUT, CAP
43	T 24223	(-)	GASKET
44	R 54006	(-)	NUT, ROUND
45	T 32330	(-)	SCREW, THREADED
46	R 54887	(-)	SCREW, FILL. HD. (3 USED)
47	R 53989	(-)	COVER
..	AR 63830	(-)	ANEROID, COMPLETE

**FUEL INJECTION PUMP PARTS
(6404A)
(ENGINE SERIAL NO. 445570-)
CODE 1604 INJECTION SYSTEM, 3%-5% GOVERNOR**

R24918



R 24918

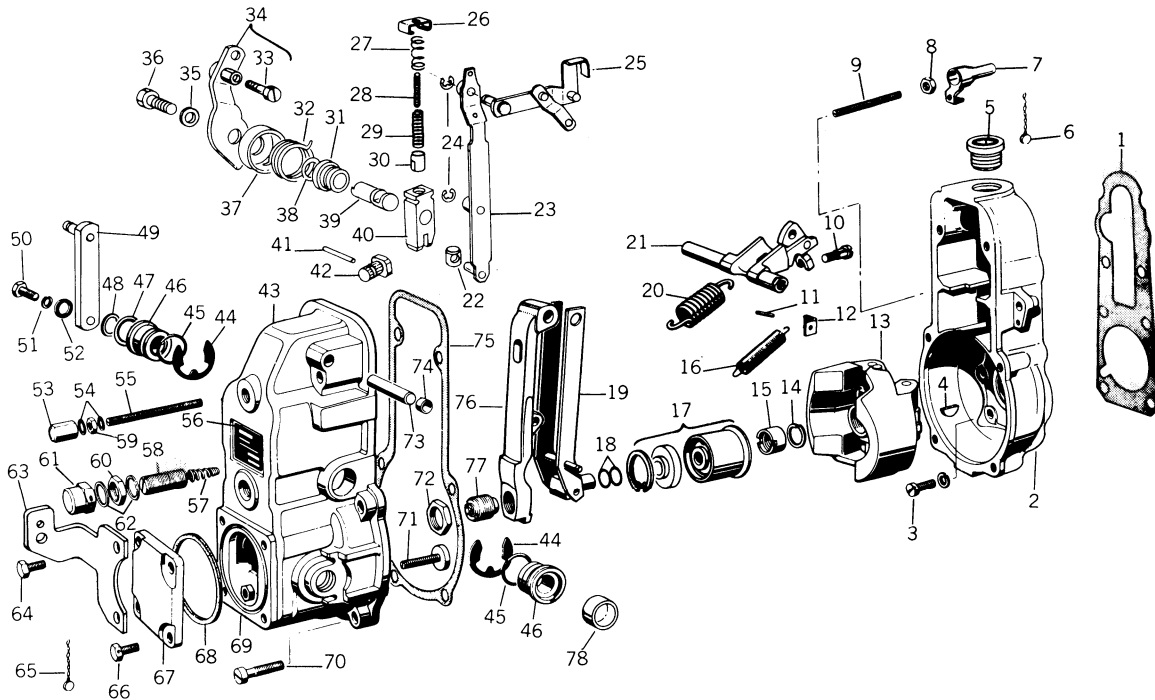
KEY	PART NO.	ENGINE SERIAL NO.	DESCRIPTION
1	R 54859	-	SCREW (3 USED)
2	R 54857	-	JAW, CLAMPING, WITH THROUGH HOLE (3 USED)
3	R 54858	-	JAW, CLAMPING, WITH THREADED HOLE (3 USED)
4	R 63065	-	HOLDER, DELIVERY VALVE (6 USED)
5	R 54856	-	O-RING (6 USED)
6	R 54881	-	SPACER (6 USED)
7	R 54854	-	SPRING (6 USED)
8	R 54853	-	GASKET (6 USED)
9	R 54892	-	VALVE, DELIVERY (6 USED)
10	AR 63559	-	PLUNGER AND BARREL (6 USED)
11	R 54851	-	SEGMENT, GEAR (6 USED)
12	R 54852	-	SCREW (6 USED)
13	R 54850	-	SLEEVE, CONTROL (6 USED)
14	R 54849	-	SEAT, SPRING, UPPER (6 USED)
15	R 54891	-	SPRING (6 USED)
16	R 54847	-	SEAT, SPRING, LOWER (6 USED)
17	R 54894	-	SPACER, .311" (7.90MM)
	R 54895	-	SPACER, .313" (7.95MM)
	R 54896	-	SPACER, .315" (8.00MM)
	R 54897	-	SPACER, .317" (8.05MM)
	R 54898	-	SPACER, .319" (8.10MM)
	R 54899	-	SPACER, .321" (8.15MM)
	R 54900	-	SPACER, .323" (8.20MM)
	R 54901	-	SPACER, .325" (8.25MM)
	R 54902	-	SPACER, .327" (8.30MM)
	R 54903	-	SPACER, .329" (8.35MM)
	R 54904	-	SPACER, .331" (8.40MM)
	R 54905	-	SPACER, .333" (8.45MM)
	R 54906	-	SPACER, .335" (8.50MM)
	R 54907	-	SPACER, .337" (8.55MM)
	R 54908	-	SPACER, .339" (8.60MM)
	R 54909	-	SPACER, .341" (8.65MM)
	R 54910	-	SPACER, .343" (8.70MM)
	R 54911	-	SPACER, .345" (8.75MM)
	R 54912	-	SPACER, .346" (8.80MM)
18	AR 63829	-	TAPPET, ROLLER, ASSEMBLY (6 USED)
19	R 55063	-	PLUG, PUMP HOUSING, BASE (6 USED)

FUEL INJECTION PUMP PARTS - CONTINUED
(6404A)
(ENGINE SERIAL NO. 445570-)
CODE 1604 INJECTION SYSTEM, 3%-5% GOVERNOR

KEY	PART NO.	ENGINE SERIAL NO.	DESCRIPTION
20	T 24224	(-)	WASHER, COPPER (2 USED)
21	R 54876	(-)	SCREW, INSPECTION COVER (2 USED)
22	R 54875	(-)	GASKET
23	AR 63557	(-)	COVER, INSPECTION, WITH GASKET
24	R 54877	(-)	PLUG, CLOSING
25	R 54004	(-)	GASKET
26	R 53161	(-)	GASKET
27	T 24229	(-)	WASHER, LOCK (3 USED)
28	T 31556	(-)	NUT (3 USED)
29	R 53897	(-)	STUD (3 USED)
30	R 55062	(-)	SUPPORT, CENTER BEARING
31	R 54880	(-)	WASHER, LOCK (2 USED)
32	R 54879	(-)	SCREW (2 USED)
33	AR 63558	(-)	HOUSING, PUMP
34	R 53888	(-)	KEY, WOODRUFF
35	R 54893	(-)	CAMSHAFT
36	R 54863	(-)	SPACER, GOVERNOR END
37	R 55152	(-)	SHIM, .0039" (0.10MM) (USE AS REQUIRED) (DRIVE END)
	R 54864	(-)	SHIM, .0047" (0.12MM) (USE AS REQUIRED) (DRIVE END)
	R 54865	(-)	SHIM, .0055" (0.14MM) (USE AS REQUIRED) (DRIVE END)
	R 54866	(-)	SHIM, .0063" (0.16MM) (USE AS REQUIRED) (DRIVE END)
	R 54867	(-)	SHIM, .0071" (0.18MM) (USE AS REQUIRED) (DRIVE END)
	R 54868	(-)	SHIM, .0197" (0.50MM) (USE AS REQUIRED) (DRIVE END)
	R 54869	(-)	SHIM, .0118" (0.30MM) (USE AS REQUIRED) (DRIVE END)
	R 54870	(-)	SHIM, .0039" (0.10MM) (USE AS REQUIRED) (GOVERNOR END)
	R 55153	(-)	SHIM, .0047" (0.12MM) (USE AS REQUIRED) (GOVERNOR END)
	R 55154	(-)	SHIM, .0055" (0.14MM) (USE AS REQUIRED) (GOVERNOR END)
	R 55155	(-)	SHIM, .0063" (0.16MM) (USE AS REQUIRED) (GOVERNOR END)
	R 55156	(-)	SHIM, .0071" (0.18MM) (USE AS REQUIRED) (GOVERNOR END)
	R 55157	(-)	SHIM, .0197" (0.50MM) (USE AS REQUIRED) (GOVERNOR END)
	R 55159	(-)	SHIM, .0390" (1.00MM) (USE AS REQUIRED) (GOVERNOR END)
	R 55160	(-)	SHIM, .0118" (0.30MM) (USE AS REQUIRED) (GOVERNOR END)
	R 55158	(-)	SHIM, .0118" (0.30MM) (USE AS REQUIRED) (GOVERNOR END)
38	AR 63555	(-)	BEARING, TAPER ROLLER (DRIVE END)
	AR 63941	(-)	BEARING, TAPER ROLLER (GOVERNOR END)
39	AR 63556	(-)	SEAL
40	R 54882	(-)	POINTER, TIMING
41	R 54884	(-)	WASHER (2 USED)
42	R 54883	(-)	SCREW (2 USED)
43	R 53886	(-)	NUT, HEX
44	R 53887	(-)	WASHER, LOCK
45	R 54885	(-)	HUB, DRIVE
46	R 60908	(-)	SCREW (2 USED)
47	R 54874	(-)	WASHER, LOCK (2 USED)
48	R 54872	(-)	ENDPLATE BEARING
49	R 54873	(-)	O-RING
50	R 60909	(-)	GASKET
51	AR 69158	(-)	CAP, CONTROL RACK, WITH MAGNET
52	R 54860	(-)	RACK, CONTROL
53	R 54861	(-)	SCREW, RACK LOCATING
54	R 53901	(-)	GASKET (4 USED)
55	R 58608	(-)	CONNECTOR, BANJO
56	R 53903	(-)	SCREW, HOLLOW
57	R 53162	(-)	CONNECTOR, BANJO
58	R 53903	(-)	SCREW, HOLLOW
59	U 45538	(-)	ELBOW, 90°, 1/4"-18 X 1/2"-20
60	T 31508	(-)	NAMEPLATE

FUEL INJECTION PUMP GOVERNOR
 (6404A)
 (ENGINE SERIAL NO. 445570-)
 CODE 1604 INJECTION SYSTEM, 3%-5% GOVERNOR

R25431



R 25431

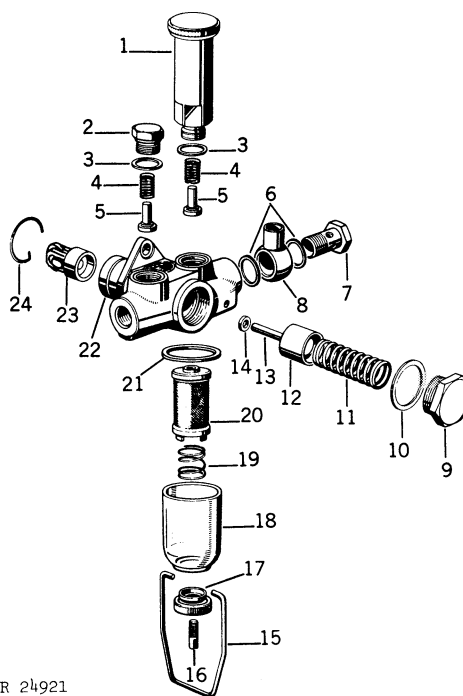
KEY	PART NO.	ENGINE SERIAL NO.	DESCRIPTION
1	R 55064	(-)	GASKET
2	R 56989	(-)	HOUSING, GOVERNOR
3	R 53885	(-)	SCREW, FILL HD. (6 USED)
4	T 24229	(-)	WASHER, LOCK (6 USED)
5	R 24295	(-)	KEY, WOODRUFF
6	R 56990	(-)	PLUG
7	R 53972	(-)	WIRE, SEALING
8	T 31575	(-)	SEAL, LEAD
9	R 53918	(-)	CAPSULE, SEALING
10	AR 63560	(-)	SEAL, STOP SCREW (SUB. R53972 AND T31575)
11	T 31556	(-)	NUT, LOCK
12	R 53917	(-)	SCREW, HIGH SPEED STOP
13	R 60915	(-)	SCREW
14	R 53945	(-)	TUBE (2 USED) (SUB. R54921)
15	R 60912	(-)	BRACKET
16	AR 73730	(-)	FLYWEIGHT ASSEMBLY
17	R 53912	(-)	WASHER, LOCK
18	R 53911	(-)	NUT, RD.
19	R 54921	(-)	SPRING, STARTING
20	AR 61172	(-)	BEARING, ASSEMBLY
21	R 53920	(-)	SHIM, .008" (0.2MM) (USE AS REQUIRED)
22	R 53921	(-)	SHIM, .012" (0.3MM) (USE AS REQUIRED)
23	R 53922	(-)	SHIM, .016" (0.4MM) (USE AS REQUIRED)
24	R 53923	(-)	SHIM, .039" (1.0MM) (USE AS REQUIRED)
25	R 53924	(-)	LEVER, GUIDE
26	R 60913	(-)	SPRING, GOVERNOR, MAIN
27	AR 61174	(-)	LEVER, SWIVELING
28	R 53931	(-)	SLIDER
29	R 53930	(-)	LEVER, FLOATING
30	R 53932	(-)	RING, RETAINING (2 USED)
31	AR 73858	(-)	SHACKLE
32	R 53953	(-)	CLIP, RETAINING

FUEL INJECTION PUMP GOVERNOR - CONTINUED
(6404A)
(ENGINE SERIAL NO. 445570-)
CODE 1604 INJECTION SYSTEM, 3%-5% GOVERNOR

KEY	PART NO.	ENGINE SERIAL NO.	DESCRIPTION
27	R 53950	(-)	SPRING, .768" (19.5MM)
28	R 53951	(-)	SPRING, .925" (23.5MM)
29	R 53952	(-)	SPRING, 1.043" (26.5MM)
30	R 53949	(-)	CAPSULE, SPRING LEVER
31	R 53946	(-)	BUSHING, THREADED
32	R 54922	(-)	SPRING
33	R 60921	(-)	SCREW, SPECIAL
34	AR 63565	(-)	LEVER, SHUT-OFF
35	T 24229	(-)	WASHER, LOCK
36	R 53941	(-)	SCREW, SPECIAL
37	R 53956	(-)	RETAINER, SPRING
38	R 53955	(-)	O-RING
39	R 53947	(-)	SHAFT
40	R 53948	(-)	LEVER
41	R 54923	(-)	PIN
42	R 53958	(-)	PIN, STOP
43	AR 63561	(-)	COVER, GOVERNOR
44	R 53936	(-)	RING, RETAINING (2 USED)
45	R 53935	(-)	O-RING (2 USED)
46	R 53934	(-)	BUSHING (2 USED)
47	R 53937	(-)	O-RING
48	R 53938	(-)	SPACER, .012" (0.3MM) (USE AS REQUIRED)
	R 53939	(-)	SPACER, .039" (1.0MM) (USE AS REQUIRED)
	R 53940	(-)	SPACER, .0196" (0.5MM) (USE AS REQUIRED)
49	R 60824	(-)	LEVER, CONTROL, R.H. (6404A)
50	R 53976	(-)	SCREW, SPECIAL
51	T 24229	(-)	WASHER, LOCK
52	R 53942	(-)	WASHER
53	R 53960	(-)	NUT, CAP
54	T 24224	(-)	WASHER, COPPER (2 USED)
55	R 60914	(-)	SCREW, LOW IDLE STOP
56	R 54300	(-)	DECAL, GOVERNOR CALIBRATING
57	R 53962	(-)	SPRING
58	R 53961	(-)	CAPSULE, SPRING
59	T 24282	(-)	NUT, HEX.
60	R 53963	(-)	NUT, LOCK
61	R 53964	(-)	NUT, CAP
62	T 25118	(-)	WASHER, COPPER (2 USED)
63	R 55066	(-)	BRACKET, BOWDEN WIRE
I	R 53300	(-)	CLIP (PUMP SHUT-OFF CABLE)
I	37H 133	(-)	SCREW, TAPPING, NO. 8 X 5/8"
64	R 60908	(-)	SCREW, UPPER (2 USED)
65	R 53972	(-)	WIRE, SEALING
	T 31575	(-)	SEAL, LEAD
66	R 54926	(-)	SCREW, LOWER (2 USED)
67	AR 63566	(-)	COVER
68	R 53966	(-)	GASKET
69	T 31556	(-)	NUT, HEX.
70	R 53969	(-)	SCREW, FILL. HD. (LOWER) (4 USED)
	R 53970	(-)	SCREW, FILL. HD. (UPPER) (4 USED)
71	R 53929	(-)	SCREW, FULL LOAD STOP
72	R 53928	(-)	NUT, LOCK
73	R 53926	(-)	SHAFT
74	R 53927	(-)	PLUG, SEALING (2 USED)
75	R 53971	(-)	GASKET
76	R 53925	(-)	LEVER, TENSIONING
77	AR 73859	(-)	CAPSULE, TORQUE CONTROL, COMPLETE
78	R 60916	(-)	PLUG, CAP

**FUEL TRANSFER PUMP
(6404A)
(ENGINE SERIAL NO. 445570-)
CODE 1601 INJECTION PUMP, REGULAR GOVERNOR
CODE 1604 INJECTION SYSTEM, 3%-5% GOVERNOR**

R24921

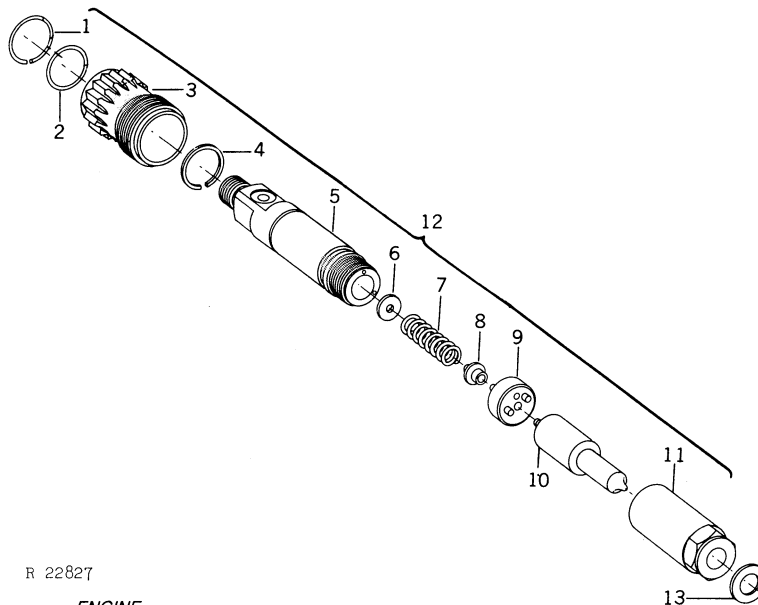


R 24921

KEY	PART NO.	ENGINE SERIAL NO.	DESCRIPTION
1	R 54033	(-)	PRIMER, HAND
2	R 54024	(-)	PLUG, SCREW
3	R 54025	(-)	GASKET (2 USED)
4	R 54023	(-)	SPRING (2 USED)
5	R 54022	(-)	VALVE (2 USED)
6	R 53901	(-)	GASKET (4 USED)
7	R 53903	(-)	SCREW, HOLLOW (2 USED)
8	R 53902	(-)	FITTING, BANJO (2 USED)
9	R 55069	(-)	PLUG, SCREW
10	R 54016	(-)	GASKET
11	R 54011	(-)	SPRING
12	...	(-)	PLUNGER, PUMP (ORDER AR63831)
13	...	(-)	SPINDLE, PRESSURE (ORDER AR63831)
14	R 54013	(-)	O-RING
15	R 54030	(-)	CLIP
16	R 54032	(-)	BOLT, STUD
17	R 54031	(-)	NUT, CLAMPING
18	R 54027	(-)	HOUSING, FILTER (GLASS)
19	R 54029	(-)	SPRING
20	R 54026	(-)	FILTER
21	R 54028	(-)	GASKET
22	AR 63831	(-)	PUMP, FUEL TRANSFER, COMPLETE (INCLUDES ALL PARTS SHOWN ON THIS PAGE)
23	AR 73857	(-)	TAPPET, ROLLER
24	R 54021	(-)	RING, SNAP
..	R 53161	(-)	GASKET, FUEL TRANSFER PUMP

**FUEL INJECTION NOZZLE
(6404A)
(ENGINE SERIAL NO. 445570-)
CODE 1601 INJECTION SYSTEM, REGULAR GOVERNOR
CODE 1604 INJECTION SYSTEM, 3%-5% GOVERNOR**

R22827

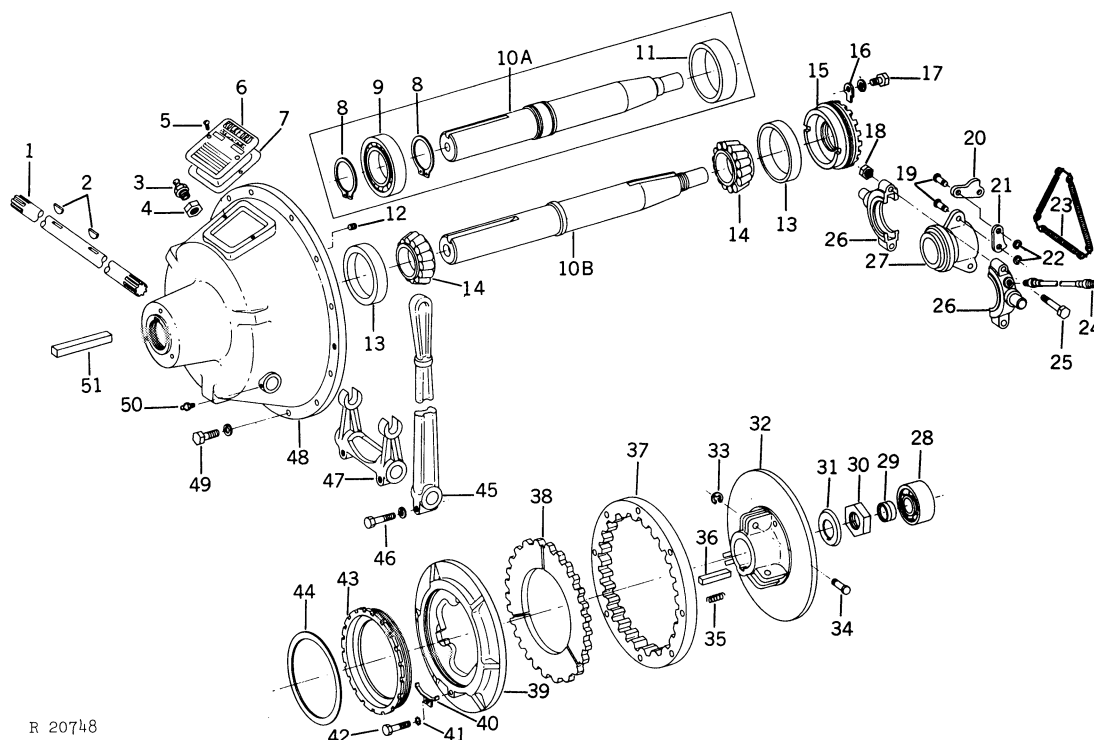


R 22827

KEY	PART NO.	ENGINE SERIAL NO.	DESCRIPTION
1	R 60277	(-)	RING, SNAP
2	R 51603	(-)	O-RING, 5/8" X 3/32" (15.55MM X 2.62MM)
	R 33259	(-)	O-RING, 9/16" X 1/16" (14.00MM X 1.78MM)
3	R 60279	(-)	SCREW, HOLLOW
4	R 60278	(-)	RING, SNAP
5	R 60272	(-)	HOLDER, NOZZLE
6	R 60280	(-)	SHIM, .039" (0.99MM) PRESSURE ADJUSTING
	R 60281	(-)	SHIM, .041" (1.04MM) PRESSURE ADJUSTING
	R 60282	(-)	SHIM, .043" (1.09MM) PRESSURE ADJUSTING
	R 60283	(-)	SHIM, .045" (1.14MM) PRESSURE ADJUSTING
	R 60284	(-)	SHIM, .047" (1.19MM) PRESSURE ADJUSTING
	R 60285	(-)	SHIM, .049" (1.24MM) PRESSURE ADJUSTING
	R 60286	(-)	SHIM, .051" (1.29MM) PRESSURE ADJUSTING
	R 60287	(-)	SHIM, .053" (1.34MM) PRESSURE ADJUSTING
	R 60288	(-)	SHIM, .055" (1.39MM) PRESSURE ADJUSTING
	R 60289	(-)	SHIM, .057" (1.44MM) PRESSURE ADJUSTING
	R 60290	(-)	SHIM, .059" (1.49MM) PRESSURE ADJUSTING
	R 60291	(-)	SHIM, .061" (1.54MM) PRESSURE ADJUSTING
	R 60292	(-)	SHIM, .063" (1.60MM) PRESSURE ADJUSTING
	R 60293	(-)	SHIM, .065" (1.65MM) PRESSURE ADJUSTING
	R 60294	(-)	SHIM, .067" (1.70MM) PRESSURE ADJUSTING
	R 60295	(-)	SHIM, .069" (1.75MM) PRESSURE ADJUSTING
	R 60296	(-)	SHIM, .071" (1.80MM) PRESSURE ADJUSTING
	R 60297	(-)	SHIM, .073" (1.85MM) PRESSURE ADJUSTING
	R 60298	(-)	SHIM, .075" (1.90MM) PRESSURE ADJUSTING
	R 60299	(-)	SHIM, .077" (1.95MM) PRESSURE ADJUSTING
7	R 60273	(-)	SPRING
8	R 60274	(-)	SEAT, SPRING
9	R 60275	(-)	PLATE, INTERMEDIATE
10	AR 74667	(-)	NOZZLE
11	R 60276	(-)	NUT, NOZZLE RETAINING
12	AR 73127	(-)	HOLDER, FUEL INJECTION, LESS NOZZLE (6 USED)
13	R 59104	(-)	WASHER, ALUMINUM (6 USED)

PTO AND CLUTCH
CODE 5801 PTO CLUTCH AND HOUSING FOR IN-LINE LOADING
CODE 5802 PTO CLUTCH AND HOUSING FOR SIDE LOADING

R20748



R 20748

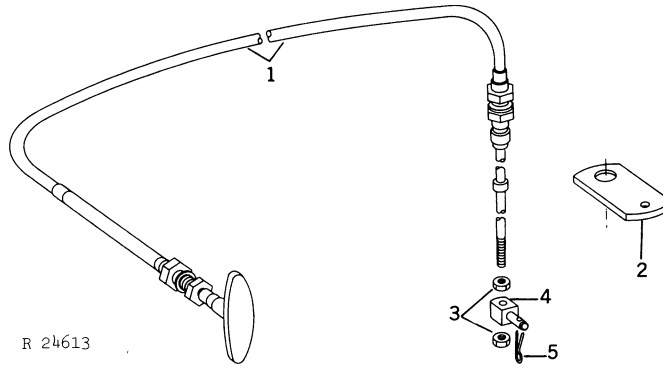
KEY	PART NO.	ENGINE SERIAL NO.	CODE	DESCRIPTION
1	R 53309	(-)		SHAFT, YOKE
2	26H 85	(-)		KEY, WOODRUFF, 1/4" X 1" (2 USED)
3	JD 7759	(-)		FITTING, GREASE, 1/8" (3 USED)
4	R 53311	(-)		NUT
5	21H 1352	(-)		SCREW, MACH., PAN HD., 1/4" X 3/8" (2 USED)
6	R 53335	(-)	5801	PLATE, INSTRUCTION (IN-LINE)
	T 11049	(-)	5802	PLATE, INSTRUCTION (SIDE LOAD)
7	T 11050	(-)		GASKET
8	R 53332	(-)	5801	RING, EXT. SNAP (IN-LINE) (2 USED)
9	JD 8537	(-)	5801	BEARING, BALL (IN-LINE)
10A	R 53338	(-)	5801	SHAFT, DRIVE (IN-LINE)
10B	R 53349	(-)	5802	SHAFT, DRIVE (SIDE-LOAD)
11	R 53333	(-)	5801	SPACER, PLAIN (IN-LINE)
12	R 53308	(-)		SCREW, SET
13	JD 8206	(-)	5802	CUP, TAPER ROLLER BEARING (SIDE LOAD) (2 USED)
14	JD 7365	(-)	5802	CONE, TAPER ROLLER BEARING (SIDE LOAD) (2 USED)
15	R 53323	(-)	5802	RETAINER, BEARING (SIDE LOAD)
	R 53334	(-)	5801	RETAINER, BEARING (IN-LINE)
16	R 53307	(-)		PLATE, LOCK
17	19H 2020	(-)		SCREW, CAP, 5/16" X 1/2"
	12H 291	(-)		WASHER, LOCK, 5/16"
18	R 53317	(-)		NUT, STOP (2 USED) (USED WITH KEY 27)
19	T 11083	(-)		PIN, CLEVIS (6 USED)
20	T 11079	(-)		LEVER (3 USED)
21	T 11082	(-)		LINK, CONNECTING (6 USED)
22	T 11084	(-)		RING, RETAINING (6 USED)
23	AT 10896	(-)		LEVER, SPRING
24	AR 59467	(-)		TUBE, FLEXIBLE
25	R 53316	(-)		SCREW, SPECIAL CAP (2 USED) (USED WITH KEY 27)
26	AR 59466	(-)		BEARING, RELEASE (2 USED) (INCLUDES KEYS 18 AND 25)
27	R 53314	(-)		SLEEVE, RELEASE

PTO AND CLUTCH - CONTINUED
CODE 5801 PTO CLUTCH AND HOUSING FOR IN-LINE LOADING
CODE 5802 PTO CLUTCH AND HOUSING FOR SIDE LOADING

KEY	PART NO.	ENGINE SERIAL NO.	CODE	DESCRIPTION
28	AR 48751	(-)	5801	BEARING, SPECIAL BALL (IN-LINE)
	R 53327	(-)	5802	BEARING, BALL (SIDE LOAD)
29	R 53336	(-)	5801	SPACER, PILOT BEARING (IN-LINE)
30	R 11068	(-)		NUT, SPECIAL HEX
31	R 53350	(-)		WASHER, SPECIAL LOCK
32	R 53344	(-)		BODY, CLUTCH
33	T 11081	(-)		RING, RETAINING (3 USED)
34	T 11080	(-)		PIN, CLEVIS (3 USED)
35	T 11077	(-)		SPRING, SEPERATOR (3 USED)
36	R 53341	(-)		KEY, 3/8" X 1/2" X 2-1/4"
37	R 53346	(-)		RING, DRIVING
38	AR 59470	(-)		DISK, CLUTCH DRIVING (11-1/2" (292MM) FLYWHEEL) (6404D)
	AR 70182	(-)		DISK, CLUTCH DRIVING (6404A, T)
39	R 53345	(-)		PLATE, PRESSURE
40	R 53313	(-)		LOCK, ADJUSTMENT
41	T 11076	(-)		WASHER, SHAKE PROOF
42	T 11812	(-)		SCREW, HEX. HD.
43	R 53312	(-)		NUT, ADJUSTING
44	R 53319	(-)		PLATE, ADJUSTING RING
45	R 53325	(-)		LEVER, SHIFTING
46	R 53310	(-)		BOLT, HEX. HD.
	12H 331	(-)		WASHER, LOCK, 3/8"
47	AR 59465	(-)		YOKE, CLUTCH
48	R 58450	(-)	5802	HOUSING, BELL, NO. 3 SAE (SIDE LOAD) (11-1/2" (292MM) FLYWHEEL)
	R 58451	(-)		HOUSING, BELL, NO. 3 SAE (IN-LINE (11-1/2" (292MM) FLYWHEEL)
49	19H 2552	(-)		SCREW, CAP, 3/8" X 1-1/8" (12 USED)
	12H 304	(-)		WASHER, LOCK, 3/8" (12 USED)
50	JD 7849	(-)		FITTING, GREASE (2 USED)
51	R 53340	(-)		KEY, 5/8" X 5/8" X 5-1/4"
..	AR 70179	(-)	5802	PTO ASSEMBLY, SIDE LOAD (11-1/2" (292MM) FLYWHEEL) (6404D)
..	AR 70180	(-)	5801	PTO ASSEMBLY, IN-LINE (11-1/2" (292MM) FLYWHEEL) (6404D)
..	AR 70176	(-)	5802	PTO ASSEMBLY, SIDE LOAD (11-1/2" (292MM) FLYWHEEL) (6404A, T)
..	AR 70181	(-)	5802	PTO ASSEMBLY, IN-LINE (11-1/2" (292MM) FLYWHEEL) (6404A, T)

**PUSH-PULL CABLE AND BRACKETS
(6404D)
CODE 3203 INSTRUMENT PANEL AND INSTRUMENT**

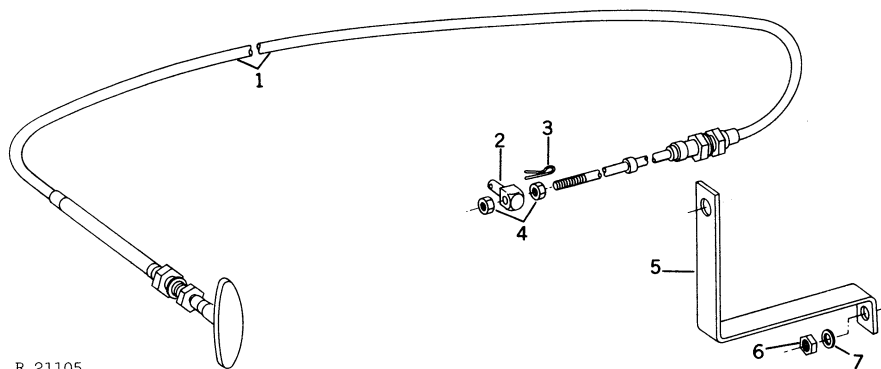
R24613



KEY	PART NO.	ENGINE SERIAL NO.	DESCRIPTION
1	AR 65433	(-)	CABLE, THROTTLE CONTROL
2	R 56760	(-)	BRACKET
3	14H 631	(-)	NUT, SPECIAL HEX., NO. 10 (2 USED)
4	R 55340	(-)	SWIVEL
5	11H 206	(-)	PIN, COTTER, 3/32" X 3/4"

**PUSH-PULL CABLE AND BRACKETS
(6404A, T)
CODE 3203 INSTRUMENT PANEL AND INSTRUMENTS**

R21105

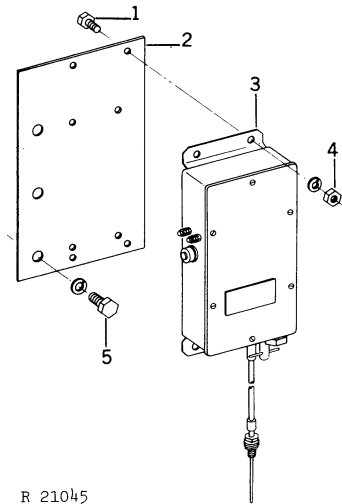


R 21105

KEY	PART NO.	ENGINE SERIAL NO.	DESCRIPTION
1	AR 65433	(-)	CABLE, THROTTLE CONTROL
2	R 56760	(-)	BRACKET
3	14H 631	(-)	NUT, SPECIAL HEX, NO. 10 (2 USED)
4	R 55340	(-)	SWIVEL
5	11H 206	(-)	PIN, COTTER, 3/32" X 3/4"
6	14H 812	(-)	NUT, 3/8"
7	R 42729	(-)	WASHER

INJECTION PUMP SHUT-OFF RACK PULLER
(6404A, T)
CODE 3203 INSTRUMENT PANEL AND INSTRUMENTS

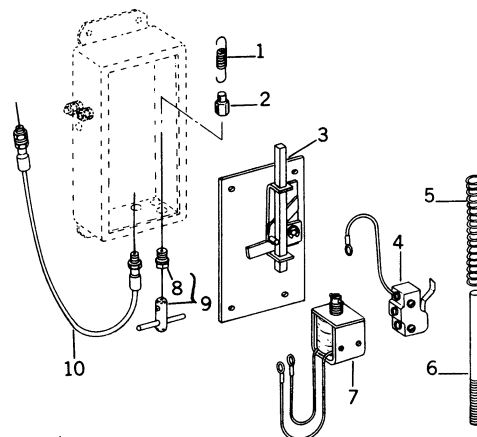
R21045



KEY	PART NO.	ENGINE SERIAL NO.	DESCRIPTION
1	19H 1948	(-)	SCREW, CAP, 1/4" X 3/4" (4 USED)
2	R 55930	(-)	SUPPORT, RACK PULLER
3	AR 64933	(-)	PULLER, RACK (SEE PAGE 75-5 FOR PARTS)
4	14H 786	(-)	NUT, HEX., 1/4" (4 USED)
	12H 302	(-)	WASHER, LOCK, 1/4" (4 USED)
5	19H 2548	(-)	SCREW, CAP, 1/2" X 7/8" (2 USED)
	12H 301	(-)	WASHER, LOCK, 1/2" (2 USED)
..	AR 67283	(-)	WIRING, LEAD
..	AR 67284	(-)	HOLDER, FUSE, WITH FUSE

**RACK PULLER
(6404A, T)
CODE 3203 INSTRUMENT PANEL AND INSTRUMENTS**

R23429

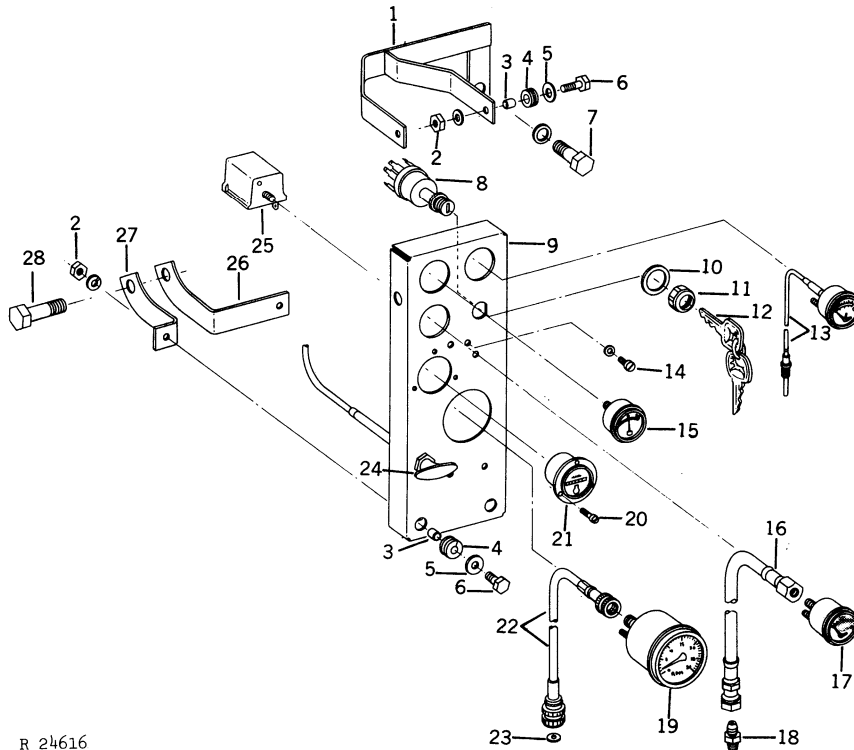


R 23429

KEY	PART NO.	ENGINE SERIAL NO.	DESCRIPTION
1	R 59309	(-)	SPRING
2	R 59308	(-)	BUSHING, RESET
3	AR 71573	(-)	PLATE, LATCH
4	AR 71574	(-)	SWITCH
5	R 59311	(-)	SPRING, GUIDE ROD
6	R 59307	(-)	ROD, SPRING GUIDE
7	AR 71575	(-)	COIL
8	R 59310	(-)	INSULATOR, CONTACT
9	AR 71572	(-)	HANDLE, RESET
10	AR 71576	(-)	CABLE, SHUT-OFF

**INSTRUMENT AND INSTRUMENT PANEL WITH BRACKETS
(6404D)
CODE 3203 INSTRUMENT PANEL AND INSTRUMENTS
CODE 3303 TACHOMETER
CODE 3401 ELECTRIC HOURMETER**

R24616



R 24616

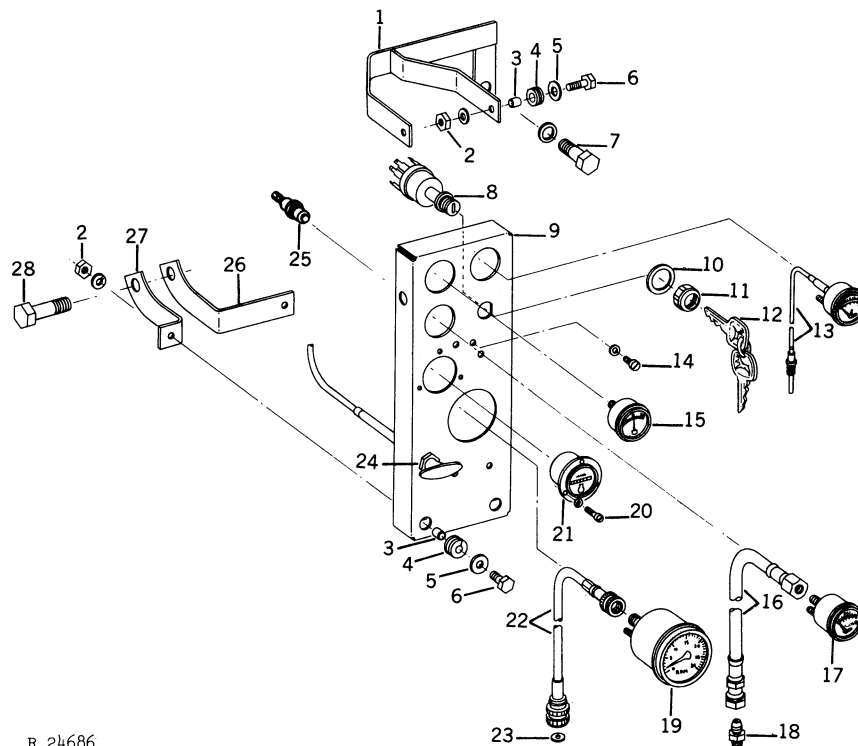
KEY	PART NO.	ENGINE SERIAL NO.	CODE	DESCRIPTION
1	AR 64936	(-)		BRACKET, INSTRUMENT PANEL MOUNTING
2	14H 786	(-)		NUT, 1/4" (2 USED)
	12H 302	(-)		WASHER, LOCK, 1/4" (2 USED)
3	R 55339	(-)		SPACER (4 USED)
4	B 30667	(-)		GROMMET (4 USED)
5	24H 1288	(-)		WASHER, 9/32" X 1" X .060" (4 USED)
6	19H 1914	(-)		SCREW, CAP, 1/4" X 1" (4 USED)
7	R 45693	(-)		SCREW, SPECIAL CAP
	12H 294	(-)		WASHER, LOCK, 5/8"
8	AR 58126	(-)		SWITCH, STARTER, WITH KEYS
9	R 55334	(-)		PANEL, INSTRUMENT
10	R 43424	(-)		WASHER, ALUMINUM
11	R 44342	(-)		NUT, SPECIAL
12	AR 51481	(-)		KEYS
13	AR 53748	(-)		GAUGE, TEMPERATURE
14	21H 1294	(-)		SCREW, MACH., PAN HD., NO. 10 X 5/16"
	12H 295	(-)		WASHER, INT. TOOTH, NO. 10
15	AR 53746	(-)		GAUGE, AMMETER
16	AR 64315	(-)		LINE, FLEXIBLE OIL
17	AR 53747	(-)		GAUGE, OIL PRESSURE
18	R 35352	(-)		CONNECTOR, OIL PRESSURE GAUGE
19	AR 53897	(-)	3303	TACHOMETER
20	21H 1290	(-)	3401	SCREW, MACH., PAN HD., NO. 6 X 5/16" (3 USED)
	12H 321	(-)	3401	WASHER, LOCK, NO. 6 (3 USED)

INSTRUMENT AND INSTRUMENT PANEL WITH BRACKETS - CONTINUED
(6404D)
CODE 3203 INSTRUMENT PANEL AND INSTRUMENTS
CODE 3303 TACHOMETER
CODE 3401 ELECTRIC HOURMETER

KEY	PART NO.	ENGINE SERIAL NO.	CODE	DESCRIPTION
21	AT 33995	(-)	3401	METER, HOUR
22	AT 17503	(-)	3303	CABLE, TACHOMETER
23	B 3285 R	(-)	3303	GASKET
24	AR 65348	(-)		CABLE, THROTTLE CONTROL
25	AR 53745	(-)		SWITCH, SAFETY
26	R 55926	(-)		BRACKET, LOWER MOUNTING, FRONT
27	R 55591	(-)		BRACKET, LOWER MOUNTING, REAR
28	19H 1782	(-)		SCREW, CAP, 3/4" X 2-1/4"

INSTRUMENT AND INSTRUMENT PANEL WITH BRACKETS (6404A, T)
CODE 3203 INSTRUMENT PANEL AND INSTRUMENTS W/FUEL SHUT-OFF
CODE 3205 INSTRUMENT PANEL AND INSTRUMENTS W/O FUEL SHUT-OFF
CODE 3300 TACHOMETER
CODE 3401 ELECTRIC HOURMETER

R24686



R 24686

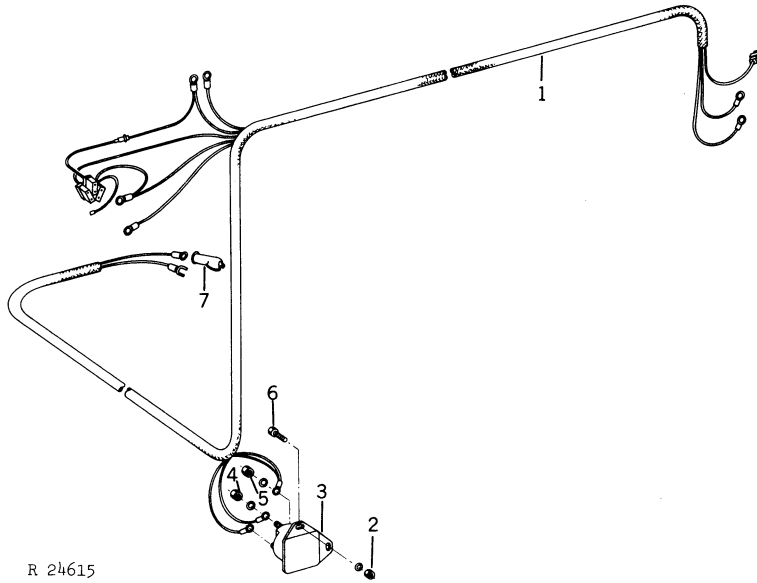
KEY	PART NO.	ENGINE SERIAL NO.	CODE	DESCRIPTION
1	AR 64936	(-)		BRACKET, INSTRUMENT PANEL MOUNTING
2	14H 786	(-)		NUT, 1/4" (2 USED)
	12H 302	(-)		WASHER, LOCK, 1/4" (2 USED)
3	R 55339	(-)		SPACER (4 USED)
4	B 30667	(-)		GROMMET (4 USED)
5	24H 1288	(-)		WASHER, 9/32" X 1" X .060" (4 USED)
6	19H 1914	(-)		SCREW, CAP, 1/4" X 1" (4 USED)
7	R 45693	(-)		SCREW, SPECIAL CAP
	12H 294	(-)		WASHER, LOCK, 5/8"
8	AR 58126	(-)		SWITCH, STARTER, WITH KEYS
9	R 55334	(-)		PANEL, INSTRUMENT
10	R 43424	(-)		WASHER, ALUMINUM
11	R 44342	(-)		NUT, SPECIAL
12	AR 51481	(-)		KEYS
13	AR 53748	(-)		GAUGE, TEMPERATURE
14	21H 1294	(-)		SCREW, MACH., PAN HD., NO. 10 X 5/16"
	12H 295	(-)		WASHER, INT. TOOTH, NO. 10
15	AR 53746	(-)		GAUGE, AMMETER
16	AR 64315	(-)		LINE, FLEXIBLE OIL
17	AR 67282	(-)		GAUGE, OIL PRESSURE
18	R 35352	(-)		CONNECTOR, OIL PRESSURE GAUGE
19	AR 53897	(-)	3300	TACHOMETER
20	21H 1290	(-)	3401	SCREW, MACH., PAN HD., NO. 6 X 5/16" (3 USED)
	12H 321	(-)	3401	WASHER, LOCK, NO. 6 (3 USED)

INSTRUMENT AND INSTRUMENT PANEL WITH BRACKETS (6404A, T) - CONTINUED
CODE 3203 INSTRUMENT PANEL AND INSTRUMENTS W/FUEL SHUT-OFF
CODE 3205 INSTRUMENT PANEL AND INSTRUMENTS W/O FUEL SHUT-OFF
CODE 3300 TACHOMETER
CODE 3401 ELECTRIC HOURMETER

KEY	PART NO.	ENGINE SERIAL NO.	CODE	DESCRIPTION
21	AT 33995	(-)	3401	METER, HOUR
22	AT 17503	(-)	3300	CABLE, TACHOMETER
23	B 3285 R	(-)	3300	GASKET
24	AR 65433	(-)	3203	CABLE, THROTTLE CONTROL
25	AR 67285	(-)		SWITCH, PUSH BUTTON
26	R 55926	(-)		BRACKET, LOWER MOUNTING, FRONT
27	R 55591	(-)		BRACKET, LOWER MOUNTING, REAR
28	19H 1782	(-)		SCREW, CAP, 3/4" X 2-1/4"

WIRING HARNESS AND STARTING CIRCUIT RELAY
CODE 3203 INSTRUMENT PANEL AND INSTRUMENTS

R24615

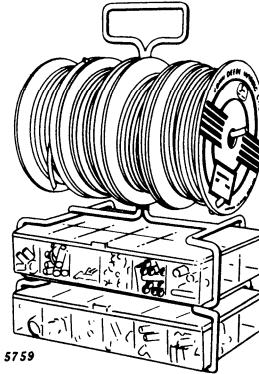


R 24615

KEY	PART NO.	ENGINE SERIAL NO.	DESCRIPTION
1	AR 53750	(-)	HARNESS, WIRING
2	14H 786	(-)	NUT, 1/4" (2 USED)
	12H 297	(-)	WASHER, LOCK, 1/4" (2 USED)
3	AM 52191	(-)	RELAY, STARTING CIRCUIT
4	14H 785	(-)	NUT, 5/16" (2 USED)
	12H 303	(-)	WASHER, LOCK, 1/4" (2 USED)
5	14H 631	(-)	NUT, NO. 10
	12H 246	(-)	WASHER, LOCK, NO. 10
6	19H 1846	(-)	SCREW, CAP, 1/4" X 3/4" (2 USED)
7	R 30964	(-)	COVER, TERMINAL
..	AR 55283	(-)	HARNESS, ALTERNATOR ADAPTER WIRING (DELCO)

AR30963 SPARK PLUG CABLE AND LEAD WIRE KIT

R5759



R 5759

KEY	PART NO.	ENGINE SERIAL NO.	DESCRIPTION
..	A 3539 R	(-)	NIPPLE, DISTRIBUTOR
..	R 26861	(-)	BOOT, SPARK PLUG
..	R 32006	(-)	CABLE, SPARK PLUG, 7 MM., 50 FT. (1 SPOOL)
..	R 32007	(-)	CABLE, PRIMARY, 14-GA., 100 FT. (1 SPOOL)
..	R 32008	(-)	CABLE, PRIMARY, 12-GA., 100 FT. (1 SPOOL)
..	R 32009	(-)	CABLE, PRIMARY, 10-GA., 50 FT. (1 SPOOL)
..	R 32011	(-)	TOOL, WIRING
..	R 32012	(-)	TERMINAL, IGNITION, DISTRIBUTOR END
..	R 32013	(-)	TERMINAL, IGNITION, STRAIGHT
..	R 32014	(-)	TERMINAL, IGNITION, 90°
..	R 32016	(-)	TERMINAL, PRIMARY, 14-16 GA., NO. 10 SPADE
..	R 32017	(-)	TERMINAL, PRIMARY, 10-12 GA., NO. 10 SPADE
..	R 32018	(-)	TERMINAL, PRIMARY, 14-16 GA., NO. 10 EYELET
..	R 32019	(-)	TERMINAL, PRIMARY, 10-12 GA., NO. 10 EYELET
..	R 32021	(-)	TERMINAL, PRIMARY, 10-12 GA., 1/4" EYELET
..	R 32022	(-)	TERMINAL, PRIMARY, 10-12 GA., 3/8" EYELET
..	R 32023	(-)	TERMINAL, PRIMARY, 10-12 GA., 1/2" EYELET
..	R 32024	(-)	TERMINAL, FEMALE BLADE WITH LEAD
..	R 32025	(-)	TERMINAL, MALE BLADE WITH LEAD
..	R 32026	(-)	TERMINAL, MALE BULLET
..	R 32027	(-)	TERMINAL, SPLICE, 14-16 GA. WIRE
..	R 32028	(-)	TERMINAL, SPLICE, 10-12 GA. WIRE
..	R 32029	(-)	TERMINAL, 2-WIRE BULLET CONNECTOR
..	R 32196	(-)	CABLE, SPARK PLUG, 7MM., 100 FT. (1 SPOOL) (NOT INCLUDED WITH KIT)
..	AR 30963	(-)	KIT, SPARK PLUG CABLE AND LEAD WIRE

ALTERNATOR AND MOUNTING BRACKETS (DELCO-REMY) (6404D)

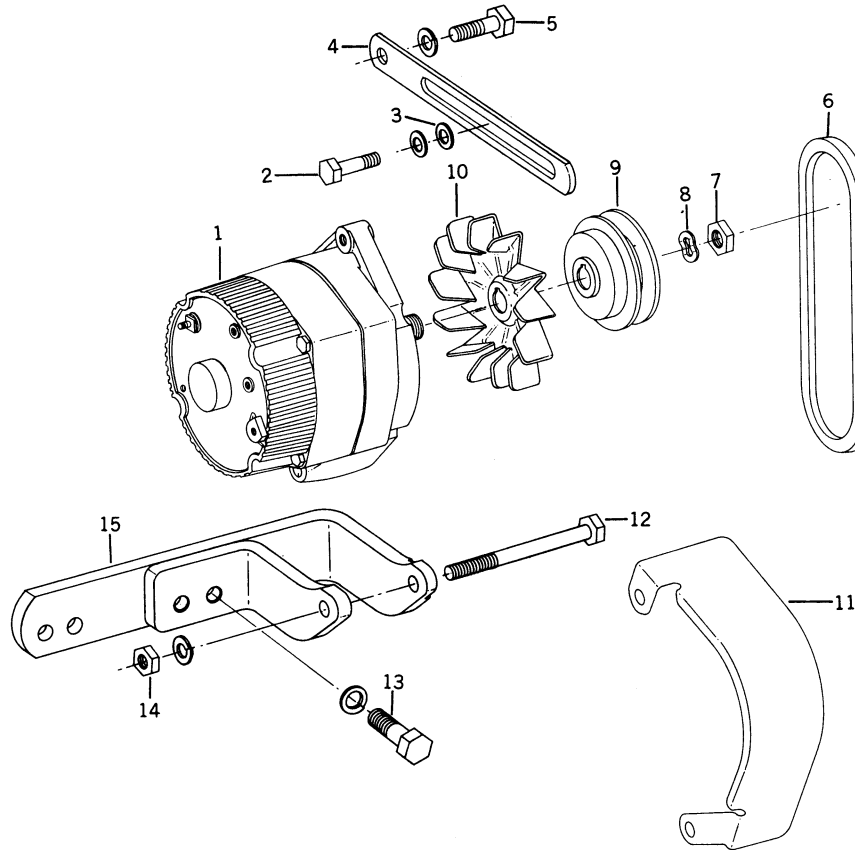
CODE 2401 FAN BELT (STANDARD)

CODE 3101 ALTERNATOR (12 VOLT) (37 AMP)

CODE 3102 ALTERNATOR (12 VOLT) (55 AMP)

CODE 3103 ALTERNATOR (12 VOLT) (72 AMP)

R24609

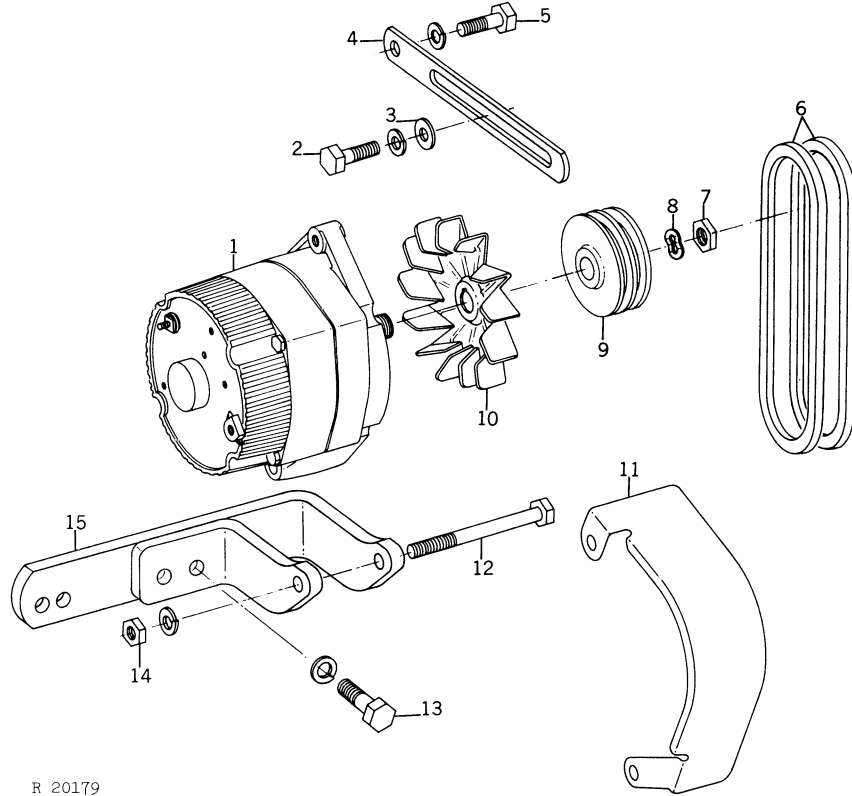


R 24609

KEY	PART NO.	ENGINE SERIAL NO.	CODE	DESCRIPTION
1	AR 56728	(-)	3101	ALTERNATOR WITH REGULATOR, LESS FAN AND PULLEY (12 VOLT) (37 AMP) (DELCO-REMY) (FOR PARTS SEE PAGE 85-6)
	AR 54796	(-)	3102	ALTERNATOR WITH REGULATOR, LESS FAN AND PULLEY (12 VOLT) (55 AMP) (DELCO-REMY) (FOR PARTS SEE PAGE 85-6)
	AR 54793	(-)	3103	ALTERNATOR WITH REGULATOR, LESS FAN AND PULLEY (12 VOLT) (72 AMP) (DELCO-REMY) (FOR PARTS SEE PAGE 85-6)
2	19H 2661	(-)		SCREW, CAP, 5/16" X 1-3/8"
	12H 303	(-)		WASHER, LOCK, 5/16"
3	R 56397	(-)		WASHER, 11/32" X 3/4" X .120" (2 USED)
4	R 43603	(-)		STRAP, ADJUSTING
5	19H 2284	(-)		SCREW, CAP, 3/8" X 7/8"
	12H 304	(-)		WASHER, LOCK, 3/8"
6	R 52603	(-)	2401	V-BELT, FAN AND ALTERNATOR DRIVE
7	R 11049	(-)		NUT
8	T 10745	(-)		WASHER, SPRING
9	R 52159	(-)		PULLEY
10	R 50659	(-)		FAN, ALTERNATOR
11	R 56012	(-)		SHIELD, ALTERNATOR
12	19H 2023	(-)		SCREW, CAP, 3/8" X 3-1/4"
13	19H 2500	(-)		SCREW, CAP, 7/16" X 1-3/8"
	19H 1773	(-)		SCREW, CAP, 7/16" X 1-1/8"
	12H 293	(-)		WASHER, LOCK, 7/16" (2 USED)
14	14H 812	(-)		NUT, 3/8"
	12H 304	(-)		WASHER, LOCK, 3/8"
15	AR 56010	(-)		BRACKET, ALTERNATOR

ALTERNATOR AND MOUNTING BRACKETS (DELCO-REMY) (6404A, T)
CODE 2401 FAN BELT (STANDARD)
CODE 3101 ALTERNATOR (12 VOLT) (37 AMP)
CODE 3102 ALTERNATOR (12 VOLT) (55 AMP)
CODE 3103 ALTERNATOR (12 VOLT) (72 AMP)

R20179

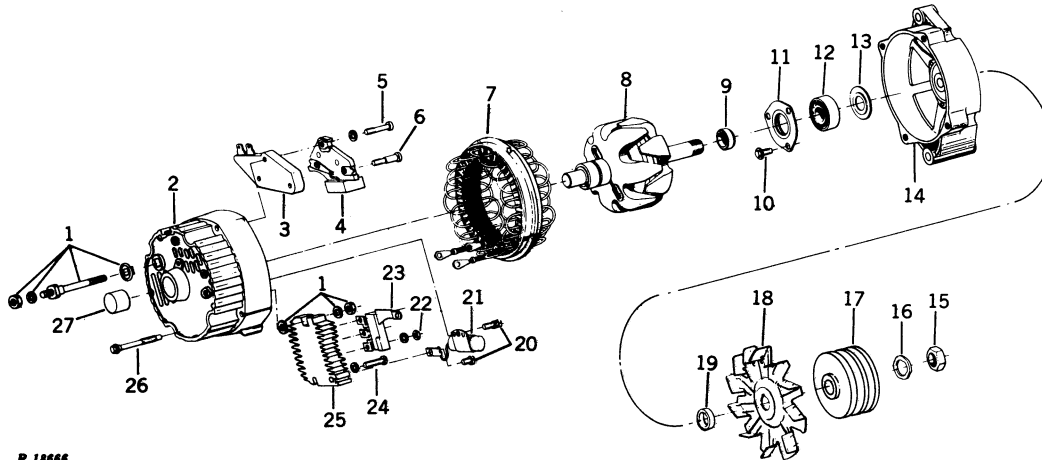


R 20179

KEY	PART NO.	ENGINE SERIAL NO.	CODE	DESCRIPTION
1	AR 56728	(-)	3101	ALTERNATOR WITH REGULATOR, LESS FAN AND PULLEY (12 VOLT) (37 AMP) (DELCO-REMY) (FOR PARTS SEE PAGE 85-6)
	AR 54796	(-)	3102	ALTERNATOR WITH REGULATOR, LESS FAN AND PULLEY (12 VOLT) (55 AMP) (DELCO-REMY) (FOR PARTS SEE PAGE 85-6)
	AR 54793	(-)	3103	ALTERNATOR WITH REGULATOR, LESS FAN AND PULLEY (12 VOLT) (72 AMP) (DELCO-REMY) (FOR PARTS SEE PAGE 85-6)
2	19H 2661	(-)		SCREW, CAP, 5/16" X 1-3/8"
	12H 303	(-)		WASHER, LOCK, 5/16"
3	R 56397	(-)		WASHER, 11/32" X 3/4" X .120" (2 USED)
4	R 43603	(-)		STRAP, ADJUSTING
5	19H 2284	(- 445569)		SCREW, CAP, 3/8" X 7/8"
	19H 1726	(445570 -)		SCREW, CAP, 3/8" X 2-1/4"
	12H 304	(-)		WASHER, LOCK, 3/8"
6	AR 57266	(-)	2401	V-BELT, FAN AND ALTERNATOR DRIVE, MATCHED PAIR (6404A, T)
7	R 11049	(-)		NUT
8	T 10745	(-)		WASHER, SPRING
9	R 52161	(-)		PULLEY
10	R 50659	(-)		FAN, ALTERNATOR
11	R 56012	(-)		SHIELD, ALTERNATOR
12	19H 2023	(-)		SCREW, CAP, 3/8" X 3-1/4"
13	19H 2500	(-)		SCREW, CAP, 7/16" X 1-3/8"
	19H 1773	(-)		SCREW, CAP, 7/16" X 1-1/8"
	12H 293	(-)		WASHER, LOCK, 7/16" (2 USED)
14	14H 812	(-)		NUT, 3/8"
	12H 304	(-)		WASHER, LOCK, 3/8"
15	AR 56010	(-)		BRACKET, ALTERNATOR

ALTERNATOR (12-VOLT) (DELCO-REMY)

R18666

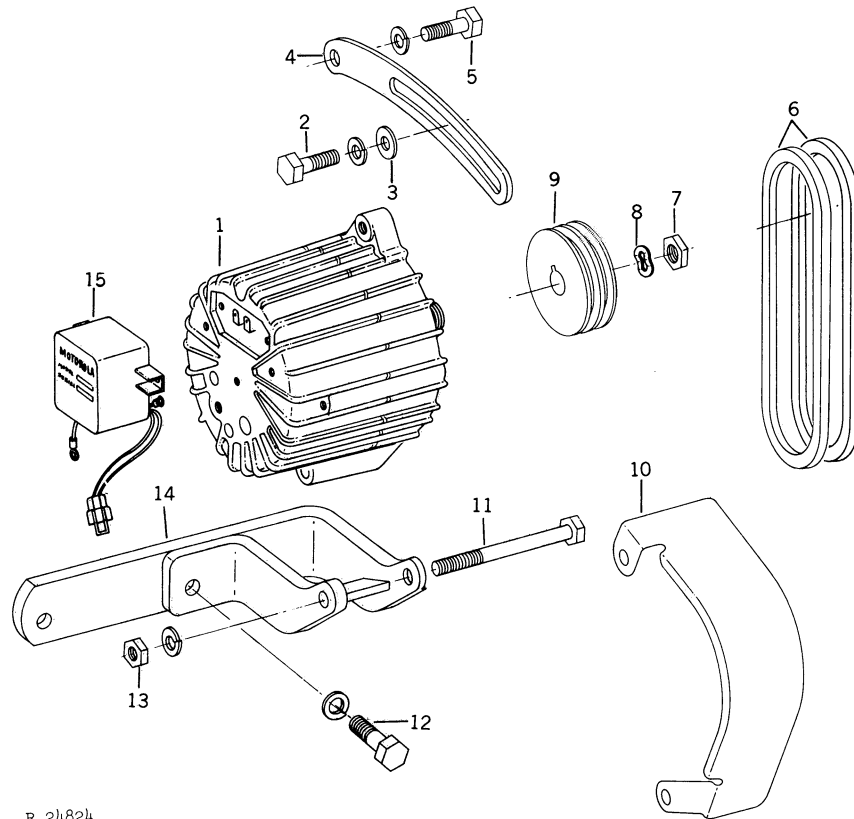


R 18666

KEY	PART NO.	ENGINE SERIAL NO.	DESCRIPTION
1	AR 55834	(-)	TERMINAL, OUTPUT ASSEMBLY
2	R 51529	(-)	HOUSING, REAR
3	AR 55827	(-)	REGULATOR (12-VOLT)
4	AR 69269	(-)	BRUSH, ASSEMBLY (SUB. FOR AR55833)
5	R 51531	(-)	SCREW, BRUSH HOLDER, GROUND
	12H 290	(-)	WASHER, LOCK, INT. TOOTH, NO. 8
6	R 51530	(-)	SCREW, BRUSH HOLDER, INSULATED (2 USED)
7	AR 62395	(-)	STATOR (37 AMP)
	AR 55829	(-)	STATOR (55 AMP)
	AR 55837	(-)	STATOR (72 AMP)
I 8	AR 78093	(-)	ROTOR (SUB. FOR AR55828)
9	R 51532	(-)	COLLAR, BEARING INNER
10	21H 1301	(-)	SCREW, MACH., PAN HD., NO. 10 X 1/2" (3 USED)
11	AR 55836	(-)	RETAINER, BEARING
12	AT 23188	(-)	BEARING, FRONT
13	R 51534	(-)	WASHER, SLINGER
14	R 51528	(-)	HOUSING, FRONT
15	R 11049	(-)	NUT
16	T 10745	(-)	WASHER, SPRING
17	R 52161	(-)	PULLEY (6404A, T)
	R 52159	(-)	PULLEY (6404D)
	R 50660	(-)	PULLEY (72 AMP) (6404T)
18	R 50659	(-)	FAN
19	R 51533	(-)	COLLAR, BEARING OUTER
20	37H 2	(-)	SCREW, TAPPING, PAN HD., NO. 8 X 5/8" (2 USED)
21	AR 55835	(-)	CAPACITOR
22	14H 605	(-)	NUT, NO. 8 (3 USED)
	12H 290	(-)	WASHER, LOCK, INT. TOOTH, NO. 8 (3 USED)
23	AR 55831	(-)	DIODE, TRIO NEGATIVE
24	21H 1319	(-)	SCREW, MACH., PAN HD., NO. 8 X 7/8"
	12H 290	(-)	WASHER, LOCK, INT. TOOTH, NO. 8
25	AR 55832	(-)	RECTIFIER, BRIDGE POSITIVE
26	R 51535	(-)	BOLT, THRU (4 USED)
I 27	AR 77851	(-)	BEARING, ROLLER, WITH SEAL (SUB. FOR AR55830)
..	AR 56728	(-)	ALTERNATOR WITH REGULATOR, LESS FAN AND PULLEY (37 AMP)
..	AR 54796	(-)	ALTERNATOR WITH REGULATOR, LESS FAN AND PULLEY (55 AMP)
..	AR 54793	(-)	ALTERNATOR WITH REGULATOR, LESS FAN AND PULLEY (72 AMP)

ALTERNATOR AND MOUNTING BRACKETS
(MOTOROLA NO. 70D44313E)
(6404A, T)
CODE 2401 FAN BELTS (STANDARD)
CODE 3204 ALTERNATOR (12 VOLT) (30 AMP) SEALED

R24824

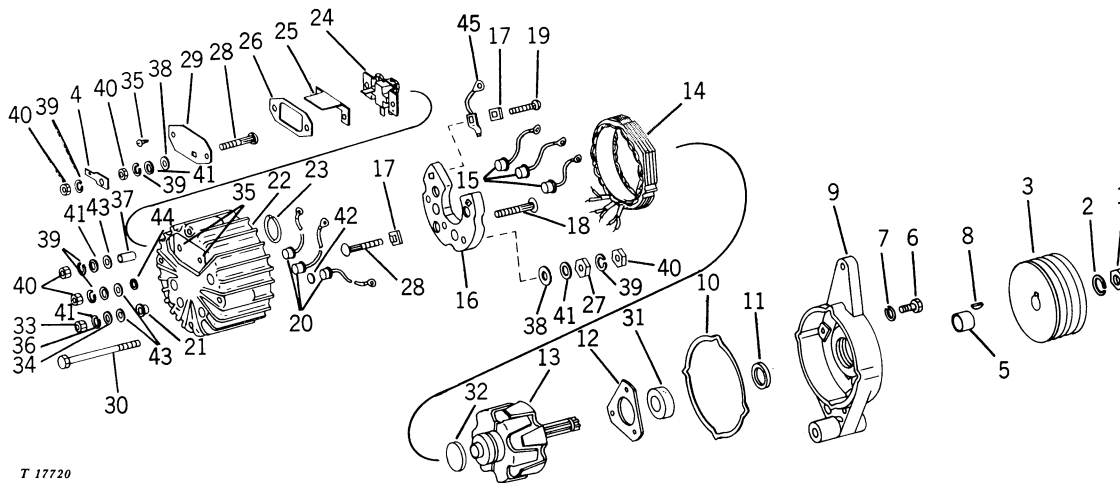


R 24824

KEY	PART NO.	ENGINE SERIAL NO.	CODE	DESCRIPTION
1	AN 114058	(-)	3204	ALTERNATOR LESS REGULATOR AND PULLEY (12 VOLT) (30 AMP) (FOR PARTS SEE PAGE 85-8)
2	19H 2661 12H 303	(-)		SCREW, CAP, 5/16" X 1-3/8"
3	R 56397	(-)		WASHER, LOCK, 5/16"
4	R 43603	(-)		WASHER, 11/32" X 3/4" X .120" (2 USED)
5	19H 2284 12H 304	(-)		STRAP, ADJUSTING
6	AR 57266	(-)	2401	SCREW, CAP, 3/8" X 7/8"
7	R 11049	(-)		WASHER, LOCK, 3/8"
8	T 10745	(-)		NUT
9	T 43032	(-)		WASHER, SPRING
10	R 56012	(-)		PULLEY
11	19H 2023	(-)		SHIELD, ALTERNATOR
12	19H 2500 19H 1773 12H 293	(-)		SCREW, CAP, 3/8" X 3-1/4"
13	14H 812 12H 304	(-)		SCREW, CAP, 7/16" X 1-3/8"
14	AR 56010	(-)		SCREW, CAP, 7/16" X 1-1/8"
15	AN 114059	(-)		WASHER, LOCK, 7/16" (2 USED)
				NUT, 3/8"
				WASHER, LOCK, 3/8"
				BRACKET, ALTERNATOR
				REGULATOR, VOLTAGE

**ALTERNATOR (30 AMPERE)
(MOTOROLA NO. 70D44313E)**

T17720

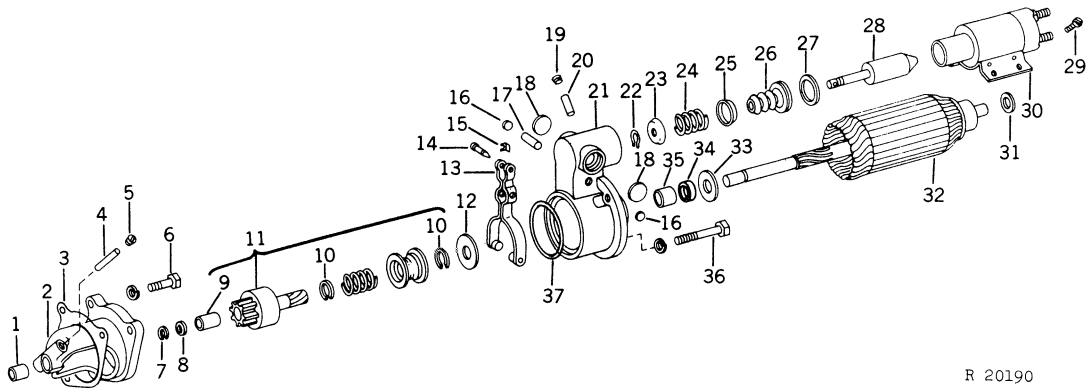


T 17720

KEY	PART NO.	ENGINE SERIAL NO.	DESCRIPTION
1	14H 866	(-)	NUT, 5/8"
2	12H 294	(-)	WASHER, LOCK, 5/8"
3	T 43032	(-)	PULLEY
4	T 26041	(-)	FIELD, TERMINAL
5	T 39881	(-)	SPACER (SUB. FOR T253438 THIS APPLICATION ONLY)
6	21H 1299	(-)	SCREW, MACH., NO. 8 X 3/8" (3 USED)
7	12H 315	(-)	WASHER, LOCK, NO. 8 (3 USED)
8	26H 9	(-)	KEY, WOODRUFF
9	AT 23181	(-)	HOUSING, FRONT
10	T 25344	(-)	GASKET
11	T 25345	(-)	WASHER, FELT
12	T 25346	(-)	RETAINER, FRONT BEARING
13	AT 23182	(-)	ROTOR
14	AT 23414	(-)	STATOR
15	AT 23184	(-)	DIODE, RECTIFYING POSITIVE (3 USED)
16	T 25352	(-)	PLATE, POSITIVE DIODE
17	T 25350	(-)	INSULATOR (5 USED)
18	T 25347	(-)	BOLT, OUTPUT TERMINAL
19	T 25348	(-)	BOLT, GROUND AND AUXILIARY TERMINALS (2 USED)
20	AT 23185	(-)	DIODE, RECTIFYING NEGATIVE (3 USED)
21	T 25360	(-)	INSULATOR
22	T 25356	(-)	HOUSING, REAR
23	R 15030	(-)	RETAINER, REAR BEARING
24	AT 23187	(-)	BRUSH, WITH HOLDER
25	T 25357	(-)	INSULATOR, BRUSH
26	T 25358	(-)	GASKET, BRUSH COVER
27	T 25351	(-)	NUT, HEX., NO. 10 (3 USED)
28	T 25349	(-)	BOLT, SPECIAL (4 USED)
29	T 25359	(-)	COVER, BRUSH
30	R 15045	(-)	BOLT, THRU (4 USED)
31	AT 23188	(-)	BEARING, BALL, FRONT
32	AT 23189	(-)	BEARING, BALL, REAR
33	14H 860	(-)	NUT, 1/4"
34	24H 1285	(-)	WASHER, 17/64" X 7/16" X .060"
35	37H 47	(-)	SCREW, DRIVE (4 USED)
36	12H 302	(-)	WASHER, LOCK, 3/8"
37	T 25353	(-)	SLEEVE, INSULATOR
38	R 15036	(-)	WASHER, INSULATOR (4 USED) (SUB. FOR R39804)
39	12H 246	(-)	WASHER, LOCK, NO. 10 (7 USED)
40	14H 778	(-)	NUT, NO. 10 (7 USED)
41	24H 1283	(-)	WASHER, 7/32" X 1/2" X .048" (6 USED)
42	T 25355	(-)	INSULATOR (3 USED)
43	T 25354	(-)	WASHER, INSULATOR (3 USED)
44	R 15036	(-)	WASHER, INSULATOR
45	AT 23186	(-)	CABLE, JUMPER
..	AN 114058	(-)	ALTERNATOR ASSEMBLY, COMPLETE, LESS PULLEY, 30 AMPERE (MOTOROLA NO. 70D44313E)

**STARTER DRIVE HOUSING, SOLENOID SWITCH, AND ARMATURE
(12-VOLT) (DELCO-REMY) (MODEL NO. 1113402 OR 1113672)
CODE 3004 STARTING MOTOR, HEAVY DUTY**

R20190



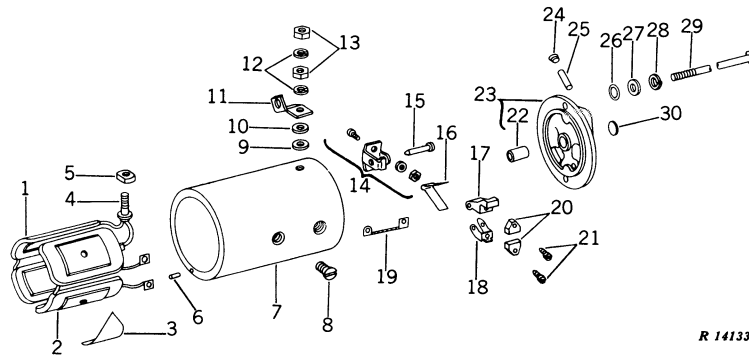
R 20190

KEY	PART NO.	ENGINE SERIAL NO.	DESCRIPTION
1	T 11743	(-)	BUSHING
2	AR 11127	(-)	HOUSING, DRIVE, WITH BUSHING
3	R 53108	(-)	GASKET, STARTER TO BLOCK
4	R 40337	(-)	WICK
5	15H 566	(-)	PLUG, PIPE, 1/8"
6	19H 2545	(-)	SCREW, CAP, 3/8" X 1-3/8" (2 USED)
	12H 304	(-)	WASHER, LOCK, 3/8" (3 USED)
	M 3636 T	(-)	STUD, 3/8" X 1-1/2"
	14H 812	(-)	NUT, 3/8"
7	R 11117	(-)	RING, RETAINING
8	R 48976	(-)	STOP, PINION
9	1873796	(-)	BUSHING
10	R 11118	(-)	WIRE, LOCK, MOTOR DRIVE (2 USED)
11	AR 76841	(-)	DRIVE, MOTOR (SUB. FOR AR44700)
12	R 11095	(-)	WASHER, BRAKE
13	AR 11128	(-)	LEVER, SHIFT
14	R 11222	(-)	PIN
15	R 11223	(-)	RETAINER, SPRING
16	30H 7	(-)	PLUG, EXPANSION, 5/8" (2 USED)
17	R 11215	(-)	SHAFT, SHIFT LEVER (2 USED)
18	30H 16	(-)	PLUG, EXPANSION, 1-3/16" (2 USED)
19	R 11016	(-)	PLUG, PIPE
20	R 11201	(-)	WICK
21	AR 11126	(-)	HOUSING, LEVER, WITH BUSHING
22	R 11026	(-)	RING, RETAINING
23	R 11129	(-)	RETAINER, SPRING
24	R 11128	(-)	SPRING
25	R 11126	(-)	RETAINER, SPRING
26	R 11127	(-)	BOOT
27	R 11221	(-)	WASHER
28	AR 11132	(-)	PLUNGER ASSEMBLY
29	T 19909	(-)	SCREW, SOLENOID SWITCH MOUNTING (4 USED)
30	R 11292	(-)	SWITCH, SOLENOID (12-VOLT) (DELCO-REMY NO. 1115510) (FOR PARTS SEE PAGE 85-11)
31	R 11096	(-)	WASHER
32	AR 44698	(-)	ARMATURE
33	R 11291	(-)	SPACER
34	AR 62964	(-)	SEAL, OIL
35	R 11212	(-)	BUSHING
36	AR 62963	(-)	SCREW, AND WASHER (4 USED)
	12H 303	(-)	WASHER, LOCK, 5/16" (4 USED)
37	R 40545	(-)	GASKET, LEVER HOUSING TO DRIVE HOUSING
..	AR 62267	(-)	STARTER, COMPLETE (12-VOLT) (DELCO-REMY) (SUB. FOR AR55638)
..	AR 40174	(-)	KIT, STARTING MOTOR SEALING

SEE FOLLOWING PAGE FOR ADDITIONAL STARTER SERVICE PARTS.

STARTER MAIN FRAME, COIL, AND COMMUTATOR END FRAME
(12-VOLT) (DELCO-REMY) (MODEL NO. 1113402 OR 1113672)
CODE 3004 STARTING MOTOR, HEAVY DUTY

R14133



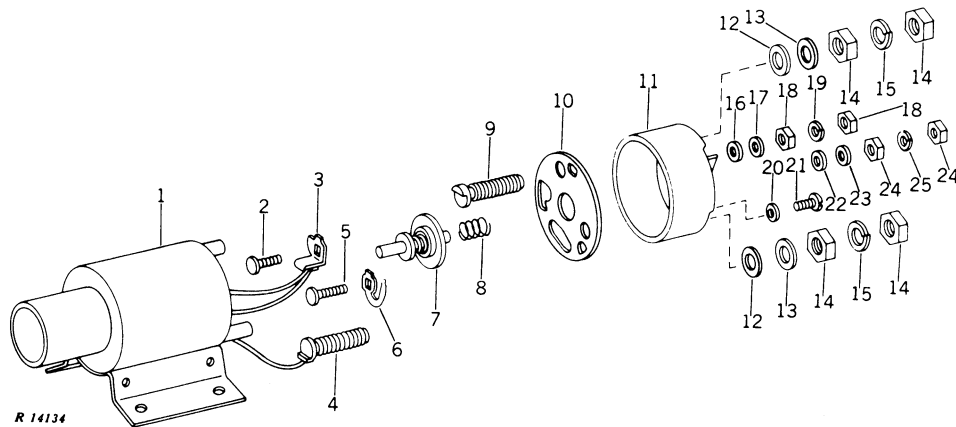
R 14133

KEY	PART NO.	ENGINE SERIAL NO.	DESCRIPTION
1	AR 44699	(-)	COIL ASSEMBLY, FIELD
2	R 11003	(-)	SHOE, POLE (4 USED)
3	R 11253	(-)	INSULATOR, FIELD COIL (2 USED)
4	R 11059	(-)	STUD, FIELD TERMINAL
5	R 11058	(-)	BUSHING, INSULATOR (2 USED)
6	R 11087	(-)	PIN, DOWEL
7	(-)	FRAME, MAIN (SUB. AR62267)
8	21H 1280	(-)	SCREW, MACH., FILT. HD., 3/8" X 3/4" (4 USED)
9	R 11000	(-)	WASHER, INSULATING (2 USED)
10	24H 1303	(-)	WASHER, 13/32" X 11/16" X .060"
11	R 11296	(-)	CONNECTOR, FIELD COIL TO SOLENOID SWITCH
12	12H 304	(-)	WASHER, LOCK, 3/8" (2 USED)
13	14H 732	(-)	NUT, JAM, 3/8" (2 USED)
14	AR 11124	(-)	SUPPORT, BRUSH, PACKAGE (2 USED)
15	R 11233	(-)	PIN, BRUSH HOLDER (2 USED)
16	R 11209	(-)	SPRING, BRUSH (2 USED)
17	R 11290	(-)	HOLDER, BRUSH (2 USED)
18	T 738 T	(-)	HOLDER, BRUSH, GROUND (2 USED)
19	AR 11001	(-)	LEAD, BRUSH, GROUND
20	R 42574	(-)	BRUSH (4 USED)
21	37H 78	(-)	SCREW, TAPPING, NO. 8 X 3/4" (4 USED)
22	T 11739	(-)	BUSHING
23	AR 11140	(-)	FRAME, COMMUTATOR END, WITH BUSHING AND EXPANSION PLUG
24	15H 566	(-)	PLUG, PIPE, 1/8"
25	R 40337	(-)	WICK
26	R 27976	(-)	O-RING, THRU BOLT (2 USED)
27	24H 1136	(-)	WASHER, 11/32" X 11/16" X .060" (2 USED)
28	12H 303	(-)	WASHER, LOCK, 5/16" (2 USED)
29	R 11298	(-)	BOLT, THRU (2 USED)
30	30H 9	(-)	PLUG, EXPANSION, 3/4"
..	AR 62267	(-)	STARTER, COMPLETE (12-VOLT) (DELCO-REMY) (SUB. FOR AR55638)
..	AR 40174	(-)	KIT, STARTING MOTOR SEALING

SEE PRECEDING PAGE FOR ADDITIONAL STARTER SERVICE PARTS.

**SOLENOID SWITCH
(12-VOLT) (DELCO-REMY) (MODEL NO. 1113402 OR 1113672)
COE 3004 STARTING MOTOR, HEAVY DUTY**

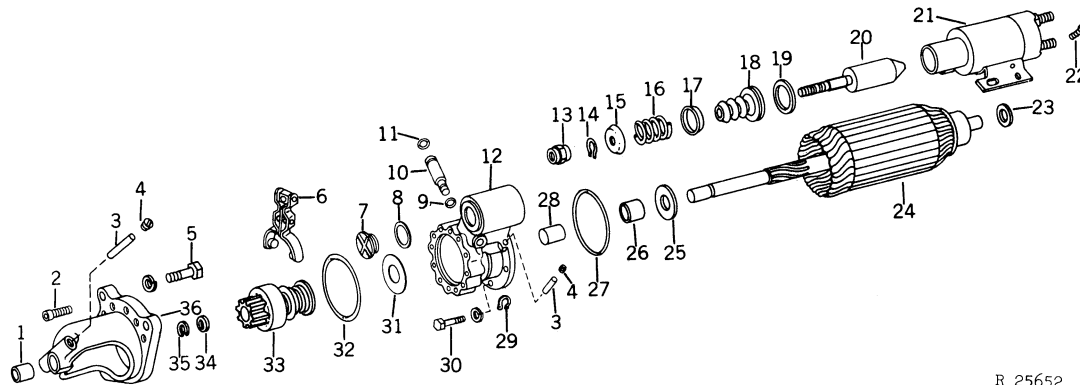
R14134



KEY	PART NO.	ENGINE SERIAL NO.	DESCRIPTION
1	(-)	CASE AND COIL (SUB. R11292)
2	T 18110	(-)	STUD, SWITCH TERMINAL
3	R 11198	(-)	CLIP, TERMINAL
4	R 11293	(-)	STUD, MOTOR TERMINAL
5	R 11295	(-)	STUD, RESISTOR TERMINAL
6	R 40546	(-)	CLIP
7	AR 11051	(-)	CONTACT AND PUSH ROD ASSEMBLY
8	R 11066	(-)	SPRING, RETURN
9	T 18105	(-)	STUD, BATTERY TERMINAL
10	R 40548	(-)	GASKET, COVER
11	R 11294	(-)	COVER
12	T 18107	(-)	WASHER, SEALING (2 USED)
13	24H 1303	(-)	WASHER, 13/32" X 11/16" X .060"
14	14H 732	(-)	NUT, JAM, 3/8" (4 USED)
15	12H 304	(-)	WASHER, LOCK, 3/8" (2 USED)
16	T 18106	(-)	WASHER, SEALING
17	24H 1283	(-)	WASHER, 7/32" X 1/2" X .048"
18	14H 631	(-)	NUT, NO. 10 (2 USED)
19	12H 246	(-)	WASHER, LOCK, NO. 10 (2 USED)
20	R 11039	(-)	WASHER (2 USED)
21	21H 1298	(-)	SCREW, MACH., PAN HD., NO. 10 X 3/8" (2 USED)
22	T 19607	(-)	WASHER, SEALING
23	24H 1281	(-)	WASHER, 5/32" X 3/8" X .048"
24	14H 605	(-)	NUT, NO. 8 (2 USED)
25	12H 290	(-)	WASHER, LOCK, INTERNAL TOOTH, NO. 8 (2 USED)
..	R 11292	(-)	SWITCH, SOLENOID (DELCO-REMY NO. 1115510)

**STARTER, ARMATURE, DRIVE END HOUSING AND DRIVE
(12-VOLT) (DELCO-REMY) (MODEL NO. 1113391)**

R25652



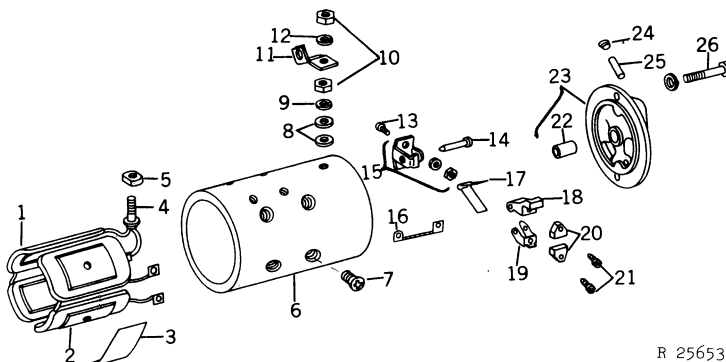
R 25652

KEY	PART NO.	ENGINE SERIAL NO.	DESCRIPTION
1	T 11743	-	BUSHING, DRIVE END
2	R 62674	-	SCREW, SPECIAL (2 USED)
3	R 40337	-	WICK (2 USED)
4	15H 566	-	PLUG, PIPE, 1/8" (2 USED)
5	19H 1721	-	SCREW, CAP, 1/2" X 1-1/2" (3 USED)
	12H 301	-	WASHER, LOCK, 1/2" (3 USED)
6	AR 77261	-	LEVER, SHIFT
7	R 11133	-	PLUG
8	R 11121	-	GASKET
9	A 4365 R	-	O-RING
10	R 62670	-	SHAFT, SHIFT LEVER
11	A 3917 R	-	O-RING
12	AR 77260	-	HOUSING, LEVER
13	R 62671	-	NUT, SPECIAL
14	R 11026	-	RING, RETAINING
15	R 11129	-	RETAINER, SPRING
16	R 11128	-	SPRING, SHIFT LEVER
17	R 11126	-	RETAINER, SPRING
18	R 11127	-	BOOT
19	R 11138	-	WASHER
20	AR 77256	-	PLUNGER
21	AR 77255	-	CASE AND COIL (FOR PARTS SEE PAGE 85-9)
22	T 19909	-	BOLT, HEX HEAD (4 USED)
23	R 11096	-	WASHER
24	AR 77257	-	ARMATURE
25	R 11291	-	SPACER
26	AR 62964	-	SEAL, OIL
27	R 11120	-	O-RING
28	R 11212	-	BUSHING
29	R 11026	-	RING, RETAINING
30	19H 3005	-	SCREW, CAP, 1/4" X 1" (5 USED)
	12H 302	-	WASHER, LOCK, 1/4" (5 USED)
31	R 11095	-	WASHER, BRAKE
32	R 62673	-	O-RING
33	AR 76841	-	DRIVE MOTOR
34	R 48976	-	STOP, PINION
35	R 11117	-	RING, RETAINING
36	AR 77259	-	HOUSING, DRIVE
..	AR 78538	-	STARTER, COMPLETE (12-VOLT) (DELCO-REMY) (SUB. FOR AR77215)

SEE FOLLOWING PAGE FOR ADDITIONAL STARTER SERVICE PARTS

**STARTER MAIN FRAME, COIL, AND COMMUTATOR END FRAME
(12-VOLT) (DELCO-REMY) (MODEL NO. 1113391)**

R25653



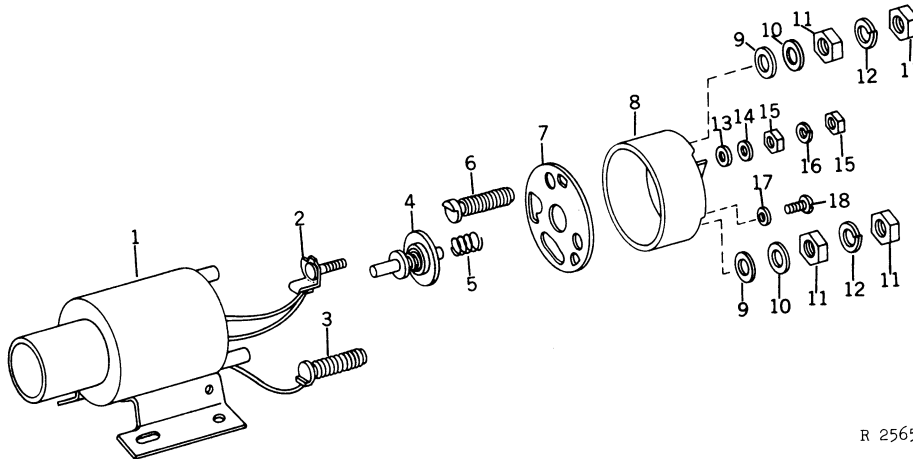
R 25653

KEY	PART NO.	ENGINE SERIAL NO.	DESCRIPTION
1	AR 77258	(-)	COIL ASSEMBLY, FIELD
2	R 11003	(-)	SHOE, POLE (4 USED)
3	R 62672	(-)	INSULATION, FIELD COIL (2 USED)
4	R 11146	(-)	STUD, FIELD TERMINAL
5	AR 40171	(-)	INSULATOR, TERMINAL STUD
6	(-)	FRAME, MAIN (AR78538)
7	21H 1280	(-)	SCREW, MACH., FILT. HD., 3/8" X 3/4" (4 USED)
8	R 11011	(-)	WASHER, INSULATING (2 USED)
9	811912	(-)	WASHER (2 USED)
10	14H 971	(-)	NUT, HEX., 1/2" (2 USED)
11	R 62669	(-)	CONNECTOR, FIELD COIL TO SOLENOID SWITCH
12	12H 301	(-)	WASHER, LOCK, 1/2"
13	R 11250	(-)	PIN, BRUSH HOLDER SUPPORT (2 USED)
14	R 61933	(-)	PIN, BRUSH HOLDER (2 USED)
15	AR 75908	(-)	SUPPORT, BRUSH, PACKAGE (2 USED)
16	AR 11001	(-)	LEAD, BRUSH, GROUND
17	R 11209	(-)	SPRING, BRUSH (2 USED)
18	R 11290	(-)	HOLDER, BRUSH (2 USED)
I 19	T 738 T	(-)	HOLDER, BRUSH GROUND (2 USED)
20	R 42574	(-)	BRUSH (4 USED)
21	37H 78	(-)	SCREW, TAPPING, NO. 8 X 3/4" (4 USED)
22	R 61932	(-)	BUSHING
23	AR 75905	(-)	FRAME, COMMUTATOR END, WITH BUSHING AND EXPANSION PLUG
24	15H 566	(-)	PLUG, PIPE, 1/8"
25	R 61934	(-)	WICK
26	19H 3005	(-)	SCREW, CAP, 1/4" X 1" (4 USED)
	12H 302	(-)	WASHER, LOCK, 1/4" (4 USED)
..	AR 78538	(-)	STARTER, COMPLETE (12-VOLT) (DELCO-REMY) (SUB. FOR AR77215)

SEE FOLLOWING PAGE FOR ADDITIONAL STARTER SERVICE PARTS

**SOLENOID SWITCH
(12-VOLT) (DELCO-REMY) (MODEL NO. 1113391)**

R25654



R 25654

KEY	PART NO.	ENGINE SERIAL NO.	DESCRIPTION
1	...	(-)	CASE AND COIL (SUB. AR77255)
2	T 18110	(-)	STUD, SWITCH TERMINAL (2 USED)
3	R 11293	(-)	STUD, MOTOR TERMINAL
4	AR 11051	(-)	CONTACT AND PUSH ROD ASSEMBLY
5	R 11066	(-)	SPRING, RETURN
6	R 62667	(-)	STUD, BATTERY TERMINAL
7	R 40548	(-)	GASKET, COVER
8	R 62668	(-)	COVER
9	T 18107	(-)	WASHER, SEALING (2 USED)
10	24H 1303	(-)	WASHER, 13/32" X 11/16" X .060" (2 USED)
11	14H 732	(-)	NUT, JAM, 3/8" (4 USED)
12	12H 304	(-)	WASHER, LOCK, 3/8" (2 USED)
13	T 18106	(-)	WASHER, SEALING (2 USED)
14	24H 1283	(-)	WASHER, 7/32" X 1/2" X .048" (2 USED)
15	14H 631	(-)	NUT, NO. 10 (4 USED)
16	12H 246	(-)	WASHER, LOCK, NO. 10 (2 USED)
17	R 11039	(-)	WASHER (2 USED)
18	21H 1298	(-)	SCREW, MACH., PAN HD., NO. 10 X 3/8" (2 USED)
..	AR 77255	(-)	SWITCH, SOLENOID (12-VOLT) (DELCO-REMY NO. 1115530)

NUMERICAL INDEX

PART NO.	GRID	KEY	PAGE	PART NO.	GRID	KEY	PAGE	PART NO.	GRID	KEY	PAGE
811912	G22	9	85-13	AR 41691	C14	6	20-4	AR 50781	E3	3	25-28
1873796	G18	9	85-9	AR 41691	C15	7	20-5	AR 51481	G6	12	75-6
				AR 41785	A14	..	10-1	AR 51481	G8	12	75-8
	A			AR 41870	A14	..	10-1	AR 51717	D6	8	25-8
A 3539 R	G12	..	85-3	AR 43634	B13	2	10-22	AR 51717	D18	8	25-22
A 3917 R	G21	11	85-12	AR 43652	B14	5	10-23	AR 51719	D6	12	25-8
A 4365 R	A15	26	10-2	AR 43945	C13	2	20-3	AR 51719	D18	12	25-22
A 4365 R	G21	9	85-12	AR 43954	B4	9	10-13	AR 51741	B6	1	10-15
A 4827 R	A17	5	10-4	AR 43974	C3	15	15-10	AR 51988	C1	19	15-8
A 5203 R	C18	4	20-8	AR 43976	C3	3	15-10	AR 51988	C2	19	15-9
				AR 44402	B10	..	10-19	AR 52063	C6	8	15-13
				AR 44625	B2	8	10-11	AR 52064	C6	7	15-13
				AR 44698	G18	32	85-9	AR 52065	C6	6	15-13
	AM			AR 44699	G19	1	85-10	AR 52066	C6	3	15-13
AM 52191	G11	3	85-2	AR 44700	G18	11	85-9	AR 52375	E12	7	25-37
				AR 44840	C16	10	20-6	AR 52570	B12	18	10-21
				AR 44840	C17	2	20-7	AR 52720	E3	6	25-28
				AR 45530	B8	3	10-17	AR 53091	E5	2	25-30
				AR 45723	B5	9	10-14	AR 53091	E12	..	25-37
	AN			AR 45723	B6	9	10-15	AR 53443	B5	10	10-14
AN 114058	G16	1	85-7	AR 46395	B5	9	10-14	AR 53443	B6	10	10-15
AN 114058	G17	..	85-8	AR 46395	B6	9	10-15	AR 53461	E5	7	25-30
AN 114059	G16	15	85-7	AR 46396	B5	9	10-14	AR 53745	G7	25	75-7
				AR 46396	B6	9	10-15	AR 53746	G6	15	75-6
				AR 46397	B5	9	10-14	AR 53746	G8	15	75-8
				AR 46397	B6	9	10-15	AR 53747	G6	17	75-6
				AR 46398	B5	9	10-14	AR 53748	G6	13	75-6
	AR			AR 46398	B6	9	10-15	AR 53748	G8	13	75-8
AR 11001	G19	19	85-10	AR 46400	B2	8	10-11	AR 53750	G11	1	85-2
AR 11001	G22	16	85-13	AR 46401	B2	8	10-11	AR 53869	C12	8	20-2
AR 11051	G20	7	85-11	AR 46402	B2	8	10-11	AR 53897	G6	19	75-6
AR 11051	G23	4	85-14	AR 46843	D6	4	25-8	AR 53897	G8	19	75-8
AR 11124	G19	14	85-10	AR 46843	D8	4	25-10	AR 54552	B6	2	10-15
AR 11126	G18	21	85-9	AR 46843	D18	4	25-22	AR 54554	B7	14	10-16
AR 11127	G18	2	85-9	AR 47296	D1	13	25-3	AR 54556	B20	10	15-4
AR 11128	G18	13	85-9	AR 47943	B8	6	10-17	AR 54557	A15	21	10-2
AR 11132	G18	28	85-9	AR 48219	D10	16	25-12	AR 54559	B12	25	10-21
AR 11140	G19	23	85-10	AR 48236	D4	20	25-6	AR 54563	B22	11	15-6
AR 21839	B8	10	10-17	AR 48236	E5	13	25-30	AR 54576	B23	12	15-7
AR 21839	B20	16	15-4	AR 48502	B18	4	15-2	AR 54577	B23	17	15-7
AR 21839	C18	1	20-8	AR 48675	C18	9	20-8	AR 54578	C15	9	20-5
AR 21840	C12	1	20-2	AR 48751	F21	28	30-3	AR 54590	D1	11	25-3
AR 21840	C13	17	20-3	AR 48871	C15	16	20-5	AR 54590	D2	11	25-4
AR 21841	B23	3	15-7	AR 48940	B1	1	10-10	AR 54591	D1	14	25-3
AR 21841	C7	5	15-14	AR 49025	A21	5	10-8	AR 54793	G13	1	85-4
AR 21842	B23	1	15-7	AR 49232	B1	1	10-10	AR 54793	G14	1	85-5
AR 21999	C7	2	15-14	AR 49233	B1	1	10-10	AR 54793	G15	..	85-6
AR 21999	C7	3	15-14	AR 49234	B1	1	10-10	AR 54796	G13	1	85-4
AR 21999	C13	14	20-3	AR 49235	B1	1	10-10	AR 54796	G14	1	85-5
AR 26328	B5	8	10-14	AR 49236	B1	1	10-10	AR 54796	G15	..	85-6
AR 26516	B8	4	10-17	AR 49542	D10	5	25-12	AR 54904	B9	12	10-18
AR 27977	A15	..	10-2	AR 49650	A21	4	10-8	AR 54905	B9	6	10-18
AR 28482	C12	7	20-2	AR 49650	B3	1	10-12	AR 54934	C1	4	15-8
AR 28482	C13	1	20-3	AR 49650	B4	1	10-13	AR 54934	C2	4	15-9
AR 28602	D6	12	25-8	AR 49839	C6	5	15-13	AR 54969	A22	3	10-9
AR 28602	D18	12	25-22	AR 49840	C6	2	15-13	AR 55283	G11	..	85-2
AR 30736	D6	20	25-8	AR 50040	C22	5	25-2	AR 55394	B15	6	10-24
AR 30736	D8	26	25-10	AR 50041	C22	11	25-2	AR 55487	B11	7	10-20
AR 30736	D18	20	25-22	AR 50041	D1	16	25-3	AR 55487	D4	26	25-6
AR 30963	G12	..	85-3	AR 50041	D2	18	25-4	AR 55487	D17	30	25-21
AR 34451	C14	15	20-4	AR 50399	C8	..	15-15	AR 55487	E6	24	25-31
AR 40171	G22	5	85-13	AR 50399	C8	5	15-15	AR 55487	E14	29	25-39
AR 40174	G18	..	85-9	AR 50411	C8	..	15-15	AR 55487	E15	20	25-40
AR 40174	G19	..	85-10	AR 50411	C8	1	15-15	AR 55638	G18	..	85-9
AR 40680	B10	21	10-19	AR 50518	C8	..	15-15	AR 55638	G19	..	85-10
AR 41006	B10	20	10-19	AR 50732	E5	5	25-30	AR 55827	G15	3	85-6
AR 41056	B6	8	10-15	AR 50781	D4	9	25-6	AR 55828	G15	8	85-6

NUMERICAL INDEX - CONTINUED

PART NO.	GRID	KEY	PAGE	PART NO.	GRID	KEY	PAGE	PART NO.	GRID	KEY	PAGE
AR 55829	G15	7	85-6	AR 61515	D1	15	25-3	AR 63229	A14	..	10-1
AR 55830	G15	27	85-6	AR 61516	E5	11	25-30	AR 63230	A14	..	10-1
AR 55831	G15	23	85-6	AR 61517	E5	10	25-30	AR 63267	A16	..	10-3
AR 55832	G15	25	85-6	AR 61518	E5	9	25-30	AR 63269	A20	..	10-7
AR 55833	G15	4	85-6	AR 61519	E5	8	25-30	AR 63270	A20	..	10-7
AR 55834	G15	1	85-6	AR 61520	E5	6	25-30	AR 63270	B7	..	10-16
AR 55835	G15	21	85-6	AR 61521	E5	3	25-30	AR 63271	A15	1	10-2
AR 55836	G15	11	85-6	AR 61533	A15	25	10-2	AR 63272	B6	2	10-15
AR 55837	G15	7	85-6	AR 61589	A15	27	10-2	AR 63551	E8	32	25-33
AR 55961	C14	8	20-4	AR 61590	B23	7	15-7	AR 63551	E17	32	25-42
AR 56010	G13	15	85-4	AR 61860	C3	15	15-10	AR 63551	F1	32	25-48
AR 56010	G14	15	85-5	AR 61967	C6	5	15-13	AR 63552	E7	18	25-32
AR 56010	G16	14	85-7	AR 61968	C6	2	15-13	AR 63552	E17	17	25-42
AR 56224	E5	21	25-30	AR 61968	C6	5	15-13	AR 63552	F1	17	25-48
AR 56639	B12	22	10-21	AR 61989	D6	25	25-8	AR 63553	E7	10	25-32
AR 56728	G13	1	85-4	AR 61989	D9	31	25-11	AR 63553	E17	10	25-42
AR 56728	G14	1	85-5	AR 61989	D10	20	25-12	AR 63553	F1	10	25-48
AR 56728	G15	..	85-6	AR 61989	D12	41	25-15	AR 63554	E7	9	25-32
AR 57241	B3	7	10-12	AR 61989	D18	25	25-22	AR 63554	E17	9	25-42
AR 57254	D4	17	25-6	AR 61989	D20	9	25-24	AR 63554	F1	9	25-48
AR 57255	D4	19	25-6	AR 61990	D11	5	25-14	AR 63555	E8	37	25-33
AR 57256	D4	16	25-6	AR 61990	D20	16	25-24	AR 63555	E18	37	25-43
AR 57257	D4	15	25-6	AR 61993	D13	24	25-16	AR 63555	F2	37	25-49
AR 57258	D4	14	25-6	AR 61993	E1	21	25-26	AR 63555	F8	38	25-55
AR 57259	D4	4	25-6	AR 61994	D13	12	25-16	AR 63555	F14	38	25-61
AR 57260	D4	3	25-6	AR 61995	D15	12	25-18	AR 63556	E8	38	25-33
AR 57262	D4	2	25-6	AR 61995	E2	9	25-27	AR 63556	E18	38	25-43
AR 57263	D4	22	25-6	AR 61996	E6	29	25-31	AR 63556	F2	38	25-49
AR 57264	C21	6	25-1	AR 62062	E5	17	25-30	AR 63556	F8	39	25-55
AR 57265	C21	2	25-1	AR 62267	G18	..	85-9	AR 63556	F14	39	25-61
AR 57266	C15	14	20-5	AR 62267	G19	..	85-10	AR 63557	E8	22	25-33
AR 57266	G14	6	85-5	AR 62267	G19	7	85-10	AR 63557	E17	22	25-42
AR 57266	G16	6	85-7	AR 62395	G15	7	85-6	AR 63557	F1	22	25-48
AR 58126	G6	8	75-6	AR 62934	C14	7	20-4	AR 63557	F8	23	25-55
AR 58126	G8	8	75-8	AR 62934	C15	8	20-5	AR 63557	F14	23	25-61
AR 58812	E6	27	25-31	AR 62936	B18	4	15-2	AR 63558	E8	32	25-33
AR 58952	A18	4	10-5	AR 62936	B19	3	15-3	AR 63558	F8	33	25-55
AR 58952	A19	6	10-6	AR 62963	G18	36	85-9	AR 63558	F14	33	25-61
AR 58952	B15	7	10-24	AR 62964	G18	34	85-9	AR 63559	E7	10	25-32
AR 58984	B7	14	10-16	AR 62964	G21	26	85-12	AR 63559	F7	10	25-54
AR 58986	A15	19	10-2	AR 62986	E5	2	25-30	AR 63559	F13	10	25-60
AR 59115	D4	23	25-6	AR 63029	D5	..	25-7	AR 63560	E9	2	25-34
AR 59115	D17	33	25-21	AR 63029	D7	..	25-9	AR 63560	F3	7	25-50
AR 59115	E6	25	25-31	AR 63029	D9	..	25-11	AR 63560	F15	7	25-62
AR 59115	E14	30	25-39	AR 63029	D10	..	25-12	AR 63561	E10	50	25-35
AR 59115	E15	21	25-40	AR 63029	D12	..	25-15	AR 63561	F4	43	25-51
AR 59465	F21	47	30-3	AR 63029	D14	..	25-17	AR 63561	F16	43	25-63
AR 59466	F20	26	30-2	AR 63029	D15	..	25-18	AR 63562	E10	55	25-35
AR 59467	F20	24	30-2	AR 63029	D17	..	25-21	AR 63563	E9	23	25-34
AR 59470	F21	38	30-3	AR 63029	D19	..	25-23	AR 63564	E10	44	25-35
AR 60370	E6	29	25-31	AR 63029	D21	..	25-25	AR 63564	E20	50	25-45
AR 61171	E9	9	25-34	AR 63029	E1	..	25-26	AR 63564	F10	50	25-57
AR 61171	E19	14	25-44	AR 63029	E2	..	25-27	AR 63565	E10	37	25-35
AR 61171	F9	14	25-56	AR 63095	A21	4	10-8	AR 63565	E20	35	25-45
AR 61172	E9	19	25-34	AR 63095	B3	1	10-12	AR 63565	F4	34	25-51
AR 61172	E19	18	25-44	AR 63095	B4	1	10-13	AR 63565	F10	35	25-57
AR 61172	F3	17	25-50	AR 63218	A14	..	10-1	AR 63565	F16	34	25-63
AR 61172	F9	18	25-56	AR 63219	A14	..	10-1	AR 63566	E10	65	25-35
AR 61172	F15	17	25-62	AR 63220	A14	..	10-1	AR 63566	E20	68	25-45
AR 61174	E9	15	25-34	AR 63221	A14	..	10-1	AR 63566	F4	67	25-51
AR 61174	E19	22	25-44	AR 63222	A14	..	10-1	AR 63566	F10	68	25-57
AR 61174	F3	21	25-50	AR 63223	A14	..	10-1	AR 63566	F16	67	25-63
AR 61174	F9	22	25-56	AR 63224	A14	..	10-1	AR 63567	E9	5	25-34
AR 61174	F15	21	25-62	AR 63225	A14	..	10-1	AR 63568	E22	28	25-47
AR 61513	E5	15	25-30	AR 63226	A14	..	10-1	AR 63568	F12	28	25-59
AR 61514	E6	28	25-31	AR 63227	A14	..	10-1	AR 63569	E10	25	25-35
AR 61514	E16	25	25-41	AR 63228	A14	..	10-1	AR 63569	E19	26	25-44

NUMERICAL INDEX - CONTINUED

PART NO.	GRID	KEY	PAGE	PART NO.	GRID	KEY	PAGE	PART NO.	GRID	KEY	PAGE
AR 63569	F9	26	25-56	AR 65465	D12	..	25-15	AR 70655	D16	14	25-20
AR 63698	C1	..	15-8	AR 65465	D14	..	25-17	AR 70656	D16	13	25-20
AR 63699	C1	..	15-8	AR 65465	D15	..	25-18	AR 70657	D16	12	25-20
AR 63699	C2	..	15-9	AR 65502	B5	1	10-14	AR 70658	D16	11	25-20
AR 63778	C3	19	15-10	AR 65507	B5	10	10-14	AR 70910	B5	7	10-14
AR 63780	C1	14	15-8	AR 65507	B6	10	10-15	AR 70910	B5	8	10-14
AR 63780	C2	14	15-9	AR 65526	E6	29	25-31	AR 70912	B6	7	10-15
AR 63781	C1	14	15-8	AR 65527	E6	29	25-31	AR 70912	B6	8	10-15
AR 63781	C2	14	15-9	AR 65602	B5	2	10-14	AR 70987	C1	..	15-8
AR 63783	C3	15	15-10	AR 65888	A14	..	10-1	AR 71120	A16	..	10-3
AR 63829	E7	18	25-32	AR 65889	A14	..	10-1	AR 71121	A16	..	10-3
AR 63829	F7	18	25-54	AR 66459	B5	2	10-14	AR 71121	B12	17	10-21
AR 63829	F13	18	25-60	AR 66993	D5	31	25-7	AR 71122	B12	25	10-21
AR 63830	E22	..	25-47	AR 66993	D9	..	25-11	AR 71123	B12	18	10-21
AR 63830	F12	..	25-59	AR 66993	D10	..	25-12	AR 71186	D8	8	25-10
AR 63831	E6	27	25-31	AR 66993	D12	..	25-15	AR 71572	G5	9	75-5
AR 63831	E11	12	25-36	AR 66993	D14	..	25-17	AR 71573	G5	3	75-5
AR 63831	E11	13	25-36	AR 66993	D15	..	25-18	AR 71574	G5	4	75-5
AR 63831	E11	22	25-36	AR 67282	G8	17	75-8	AR 71575	G5	7	75-5
AR 63831	E14	32	25-39	AR 67283	G4	..	75-4	AR 71576	G5	10	75-5
AR 63831	E15	23	25-40	AR 67284	G4	..	75-4	AR 71627	C14	14	20-4
AR 63831	F5	12	25-52	AR 67285	G9	25	75-9	AR 71709	B11	2	10-20
AR 63831	F5	13	25-52	AR 68094	B3	5	10-12	AR 71819	B13	12	10-22
AR 63831	F5	22	25-52	AR 68094	B4	5	10-13	AR 72052	D11	1	25-14
AR 63831	F17	12	25-64	AR 68137	C3	15	15-10	AR 72052	D20	11	25-24
AR 63831	F17	13	25-64	AR 68139	C3	..	15-10	AR 72249	B7	14	10-16
AR 63831	F17	22	25-64	AR 68167	A22	7	10-9	AR 72337	C5	2	15-12
AR 63865	B12	17	10-21	AR 68313	B12	25	10-21	AR 72998	B1	3	10-10
AR 63934	A16	..	10-3	AR 68332	E5	19	25-30	AR 73127	F6	12	25-53
AR 63938	A18	..	10-5	AR 68454	D1	13	25-3	AR 73127	F18	12	25-65
AR 63940	A18	..	10-5	AR 68454	D2	13	25-4	AR 73248	E6	29	25-31
AR 63940	B7	..	10-16	AR 68961	E5	5	25-30	AR 73249	E6	29	25-31
AR 63941	E8	37	25-33	AR 69158	E8	49	25-33	AR 73271	B1	3	10-10
AR 63941	E18	37	25-43	AR 69158	E18	50	25-43	AR 73272	B1	3	10-10
AR 63941	F2	37	25-49	AR 69158	F2	50	25-49	AR 73273	B1	3	10-10
AR 63941	F8	38	25-55	AR 69158	F8	51	25-55	AR 73274	B1	3	10-10
AR 63941	F14	38	25-61	AR 69158	F14	51	25-61	AR 73275	B1	2	10-10
AR 63979	A14	..	10-1	AR 69269	G15	4	85-6	AR 73276	B1	2	10-10
AR 63980	A14	..	10-1	AR 69342	E6	29	25-31	AR 73517	E13	28	25-38
AR 64075	C14	17	20-4	AR 69343	E6	29	25-31	AR 73518	E13	28	25-38
AR 64221	B13	12	10-22	AR 69347	E6	29	25-31	AR 73519	E15	19	25-40
AR 64315	G6	16	75-6	AR 69348	E6	29	25-31	AR 73520	E15	19	25-40
AR 64315	G8	16	75-8	AR 69446	E13	17	25-38	AR 73526	D17	35	25-21
AR 64932	C5	3	15-12	AR 69446	E15	16	25-40	AR 73526	D19	..	25-23
AR 64932	C6	1	15-13	AR 69447	E13	16	25-38	AR 73526	D21	..	25-25
AR 64933	G4	3	75-4	AR 69447	E15	15	25-40	AR 73526	E1	..	25-26
AR 64936	G6	1	75-6	AR 69448	E13	14	25-38	AR 73526	E2	..	25-27
AR 64936	G8	1	75-8	AR 69448	E15	14	25-40	AR 73607	D8	15	25-10
AR 64937	C5	4	15-12	AR 69449	E13	13	25-38	AR 73608	D8	20	25-10
AR 65235	B1	1	10-10	AR 69449	E15	13	25-40	AR 73609	D8	13	25-10
AR 65236	B1	1	10-10	AR 69450	E13	12	25-38	AR 73610	D8	23	25-10
AR 65237	B1	1	10-10	AR 69450	E15	12	25-40	AR 73611	D8	24	25-10
AR 65238	B1	1	10-10	AR 69451	E13	11	25-38	AR 73612	D8	12	25-10
AR 65239	B1	1	10-10	AR 69451	E15	11	25-40	AR 73613	D10	19	25-12
AR 65240	B1	1	10-10	AR 70168	A22	5	10-9	AR 73614	D8	12	25-10
AR 65293	B18	1	15-2	AR 70176	F21	..	30-3	AR 73730	F3	13	25-50
AR 65348	G7	24	75-7	AR 70179	F21	..	30-3	AR 73730	F15	13	25-62
AR 65361	E20	44	25-45	AR 70180	F21	..	30-3	AR 73815	B23	17	15-7
AR 65361	F10	44	25-57	AR 70181	F21	..	30-3	AR 73822	D2	17	25-4
AR 65431	C5	7	15-12	AR 70182	F21	38	30-3	AR 73824	D3	2	25-5
AR 65432	C7	3	15-14	AR 70343	E6	29	25-31	AR 73828	D15	15	25-18
AR 65433	G2	1	75-2	AR 70344	E6	29	25-31	AR 73828	E2	12	25-27
AR 65433	G3	1	75-3	AR 70348	E6	29	25-31	AR 73829	D15	15	25-18
AR 65433	G9	24	75-9	AR 70349	E6	29	25-31	AR 73829	E2	12	25-27
AR 65465	D5	31	25-7	AR 70564	B7	14	10-16	AR 73857	E11	23	25-36
AR 65465	D7	..	25-9	AR 70653	D16	16	25-20	AR 73857	E11	24	25-36
AR 65465	D10	..	25-12	AR 70654	D16	15	25-20	AR 73857	E11	25	25-36

NUMERICAL INDEX - CONTINUED

PART NO.	GRID	KEY	PAGE
AR 73857	E11	27	25-36
AR 73857	F5	23	25-52
AR 73857	F17	23	25-64
AR 73858	F3	25	25-50
AR 73858	F15	25	25-62
AR 73859	F4	77	25-51
AR 73859	F16	77	25-63
AR 73861	E20	78	25-45
AR 73861	F10	78	25-57
AR 73888	D2	14	25-4
AR 73888	D3	5	25-5
AR 74144	B11	2	10-20
AR 74344	D17	38	25-21
AR 74603	D2	..	25-4
AR 74624	B3	5	10-12
AR 74624	B4	5	10-13
AR 74664	E13	7	25-38
AR 74664	E15	7	25-40
AR 74665	E13	7	25-38
AR 74665	E15	7	25-40
AR 74667	F18	10	25-65
AR 74668	F6	10	25-53
AR 74814	B2	8	10-11
AR 74815	B2	8	10-11
AR 74816	B2	8	10-11
AR 74817	B2	8	10-11
AR 74818	B2	8	10-11
AR 75893	B12	..	10-21
AR 75905	G22	23	85-13
AR 75908	G22	15	85-13
AR 76158	E14	34	25-39
AR 76326	E14	39	25-39
AR 76424	B23	12	15-7
AR 76488	E14	38	25-39
AR 76502	E13	27	25-38
AR 76502	E15	18	25-40
AR 76582	B13	12	10-22
AR 76760	E16	29	25-41
AR 76841	G18	11	85-9
AR 76841	G21	33	85-12
AR 76885	D16	17	25-20
AR 77215	G21	..	85-12
AR 77215	G22	..	85-13
AR 77255	G21	21	85-12
AR 77255	G23	..	85-14
AR 77255	G23	1	85-14
AR 77256	G21	20	85-12
AR 77257	G21	24	85-12
AR 77258	G22	1	85-13
AR 77259	G21	36	85-12
AR 77260	G21	12	85-12
AR 77261	G21	6	85-12
AR 77448	E13	21	25-38
AR 77494	B12	25	10-21
AR 77747	B1	1	10-10
AR 77747	B1	2	10-10
AR 77747	B1	3	10-10
AR 77747	B1	6	10-10
AR 77748	B1	1	10-10
AR 77748	B1	3	10-10
AR 77748	B2	7	10-11
AR 77749	B1	3	10-10
AR 77749	B2	7	10-11
AR 77750	B1	1	10-10
AR 77750	B1	3	10-10
AR 77750	B2	7	10-11
AR 77751	B1	3	10-10

PART NO.	GRID	KEY	PAGE
AR 77751	B2	7	10-11
AR 77752	B1	3	10-10
AR 77752	B2	7	10-11
AR 77753	B1	2	10-10
AR 77753	B1	3	10-10
AR 77753	B1	6	10-10
AR 77812	E19	2	25-44
AR 77812	F9	2	25-56
AR 77851	G15	27	85-6
AR 78019	C4	3	15-11
AR 78020	C4	14	15-11
AR 78021	C4	16	15-11
AR 78022	C4	..	15-11
AR 78023	C4	14	15-11
AR 78093	G15	8	85-6
AR 78538	G21	..	85-12
AR 78538	G22	..	85-13
AR 78538	G22	6	85-13
AR 79680	C6	2	15-13
AR 79685	E4	10	25-29
AR 79686	D16	7	25-20
AR 79686	E4	13	25-29
AR 79957	E1	9	25-26
AR 80294	A15	4	10-2
AT			
AT 10896	F20	23	30-2
AT 11924	D10	19	25-12
AT 13740	A15	2	10-2
AT 13740	C13	11	20-3
AT 17503	G7	22	75-7
AT 17503	G9	22	75-9
AT 18904	C12	17	20-2
AT 23181	G17	9	85-8
AT 23182	G17	13	85-8
AT 23184	G17	15	85-8
AT 23185	G17	20	85-8
AT 23186	G17	45	85-8
AT 23187	G17	24	85-8
AT 23188	G15	12	85-6
AT 23188	G17	31	85-8
AT 23189	G17	32	85-8
AT 23414	G17	14	85-8
AT 24834	C15	18	20-5
AT 25038	B15	6	10-24
AT 33995	G7	21	75-7
AT 33995	G9	21	75-9
B			
B 3285 R	G7	23	75-7
B 3285 R	G9	23	75-9
B 30667	G6	4	75-6
B 30667	G8	4	75-8
C			
C 1220 R	C9	9	15-16
C 2175 R	E6	26	25-31
C 16054	C5	1	15-12
C 16054	C7	6	15-14
C 16054	C7	2	15-14

PART NO.	GRID	KEY	PAGE
E 17421	C6	4	15-13
F			
F 1743 R	A15	11	10-2
F 1743 R	B7	13	10-16
F 2411 R	C12	11	20-2
F 2411 R	C13	5	20-3
F 3646 R	A15	22	10-2
F 3646 R	B13	9	10-22
H			
H 826 R	B12	3	10-21
H 80753	B5	3	10-14
JD			
JD 7365	F20	14	30-2
JD 7759	F20	3	30-2
JD 7849	F21	50	30-3
JD 8206	F20	13	30-2
JD 8537	F20	9	30-2
JD 9257	C14	10	20-4
JD 9257	C15	11	20-5
M			
M 3636 T	G18	6	85-9
R			
R 375 R	D3	1	25-5
R 468 R	E5	18	25-30
R 469 R	E5	18	25-30
R 495 R	A18	22	10-5
R 495 R	A20	35	10-7
R 495 R	B8	1	10-17
R 699 R	B21	4	15-5
R 1612 R	A15	10	10-2
R 11000	G19	9	85-10
R 11003	G19	2	85-10
R 11003	G22	2	85-13
R 11011	G22	8	85-13
R 11016	G18	19	85-9
R 11026	G18	22	85-9
R 11026	G21	14	85-12
R 11026	G21	29	85-12
R 11039	G20	20	85-11
R 11039	G23	17	85-14
R 11049	G13	7	85-4
R 11049	G14	7	85-5
R 11049	G15	15	85-6
R 11049	G16	7	85-7
R 11058	G19	5	85-10
R 11059	G19	4	85-10
R 11066	G20	8	85-11
R 11066	G23	5	85-14
R 11068	F21	30	30-3
R 11087	G19	6	85-10

NUMERICAL INDEX - CONTINUED

PART NO.	GRID	KEY	PAGE	PART NO.	GRID	KEY	PAGE	PART NO.	GRID	KEY	PAGE
R 11095	G18	12	85-9	R 26287	D1	7	25-3	R 31378	C8	3	15-15
R 11095	G21	31	85-12	R 26287	D2	7	25-4	R 31493	C9	4	15-16
R 11096	G18	31	85-9	R 26297	A18	16	10-5	R 31494	C9	3	15-16
R 11096	G21	23	85-12	R 26297	B17	4	15-1	R 31655	E13	23	25-38
R 11117	G18	7	85-9	R 26325	B5	6	10-14	R 32006	G12	..	85-3
R 11117	G21	35	85-12	R 26325	B6	6	10-15	R 32007	G12	..	85-3
R 11118	G18	10	85-9	R 26333	B3	8	10-12	R 32008	G12	..	85-3
R 11120	G21	27	85-12	R 26333	B4	10	10-13	R 32009	G12	..	85-3
R 11121	G21	8	85-12	R 26362	B21	1	15-5	R 32011	G12	..	85-3
R 11126	G18	25	85-9	R 26373	E21	3	25-46	R 32012	G12	..	85-3
R 11126	G21	17	85-12	R 26373	F11	3	25-58	R 32013	G12	..	85-3
R 11127	G18	26	85-9	R 26405	B8	2	10-17	R 32014	G12	..	85-3
R 11127	G21	18	85-12	R 26413	C12	13	20-2	R 32016	G12	..	85-3
R 11128	G18	24	85-9	R 26413	C13	7	20-3	R 32017	G12	..	85-3
R 11128	G21	16	85-12	R 26417	C12	12	20-2	R 32018	G12	..	85-3
R 11129	G18	23	85-9	R 26417	C13	6	20-3	R 32019	G12	..	85-3
R 11129	G21	15	85-12	R 26559	B9	10	10-18	R 32021	G12	..	85-3
R 11133	G21	7	85-12	R 26728	D4	13	25-6	R 32022	G12	..	85-3
R 11138	G21	19	85-12	R 26728	E5	7	25-30	R 32023	G12	..	85-3
R 11146	G22	4	85-13	R 26748	B9	11	10-18	R 32024	G12	..	85-3
R 11198	G20	3	85-11	R 26789	D4	13	25-6	R 32025	G12	..	85-3
R 11201	G18	20	85-9	R 26789	D17	39	25-21	R 32026	G12	..	85-3
R 11209	G19	16	85-10	R 26789	E5	7	25-30	R 32027	G12	..	85-3
R 11209	G22	17	85-13	R 26790	D4	13	25-6	R 32028	G12	..	85-3
R 11212	G18	35	85-9	R 26790	D17	39	25-21	R 32029	G12	..	85-3
R 11212	G21	28	85-12	R 26790	E5	7	25-30	R 32136	D1	12	25-3
R 11215	G18	17	85-9	R 26861	G12	..	85-3	R 32136	D2	12	25-4
R 11221	G18	27	85-9	R 27036	A15	6	10-2	R 32196	G12	..	85-3
R 11222	G18	14	85-9	R 27149	A15	24	10-2	R 32426	B14	2	10-23
R 11223	G18	15	85-9	R 27166	D3	3	25-5	R 32593	A18	2	10-5
R 11233	G19	15	85-10	R 27256	E5	15	25-30	R 32593	A19	5	10-6
R 11250	G22	13	85-13	R 27256	E13	20	25-38	R 32593	B8	5	10-17
R 11253	G19	3	85-10	R 27272	D5	33	25-7	R 32639	D4	21	25-6
R 11290	G19	17	85-10	R 27272	D17	37	25-21	R 32639	E5	14	25-30
R 11290	G22	18	85-13	R 27285	A15	12	10-2	R 33259	E4	2	25-29
R 11291	G18	33	85-9	R 27285	A19	14	10-6	R 33259	F6	2	25-53
R 11291	G21	25	85-12	R 27286	A15	13	10-2	R 33259	F18	2	25-65
R 11292	G18	30	85-9	R 27346	C21	3	25-1	R 34090	C12	3	20-2
R 11292	G20	..	85-11	R 27346	C22	6	25-2	R 34447	C22	4	25-2
R 11292	G20	1	85-11	R 27443	B9	8	10-18	R 34447	D1	7	25-3
R 11293	G20	4	85-11	R 27528	E5	15	25-30	R 34447	D2	7	25-4
R 11293	G23	3	85-14	R 27528	E13	19	25-38	R 34623	D15	5	25-18
R 11294	G20	11	85-11	R 27528	E13	22	25-38	R 34623	E2	2	25-27
R 11295	G20	5	85-11	R 27693	A17	8	10-4	R 34630	D15	16	25-18
R 11296	G19	11	85-10	R 27976	B9	16	10-18	R 34630	E2	13	25-27
R 11298	G19	29	85-10	R 27976	G19	26	85-10	R 34635	D11	28	25-14
R 15030	G17	23	85-8	R 28789	D4	19	25-6	R 34635	D21	36	25-25
R 15036	G17	38	85-8	R 28811	A22	2	10-9	R 34760	D4	11	25-6
R 15036	G17	44	85-8	R 30714	D11	30	25-14	R 34761	D4	10	25-6
R 15045	G17	30	85-8	R 30714	D20	6	25-24	R 34764	D4	8	25-6
R 20423	B7	19	10-16	R 30718	D6	12	25-8	R 34764	E3	2	25-28
R 21630	A15	16	10-2	R 30718	D8	12	25-10	R 34765	D4	6	25-6
R 26049	B3	4	10-12	R 30718	D18	12	25-22	R 34766	D4	5	25-6
R 26049	B4	4	10-13	R 30719	D6	12	25-8	R 34766	D16	2	25-20
R 26058	A18	21	10-5	R 30719	D8	12	25-10	R 34766	E13	2	25-38
R 26058	A19	18	10-6	R 30719	D18	12	25-22	R 34766	E15	2	25-40
R 26058	A21	3	10-8	R 30725	D13	12	25-16	R 34812	D7	27	25-9
R 26079	B9	5	10-18	R 30725	E1	9	25-26	R 34812	D9	33	25-11
R 26081	B9	2	10-18	R 30732	D6	21	25-8	R 35256	B11	8	10-20
R 26115	A15	28	10-2	R 30732	D9	27	25-11	R 35304	C12	2	20-2
R 26125	B9	17	10-18	R 30732	D18	21	25-22	R 35352	D4	22	25-6
R 26151	B12	8	10-21	R 30735	D13	9	25-16	R 35352	D16	17	25-20
R 26151	B13	16	10-22	R 30737	D13	7	25-16	R 35352	G6	18	75-6
R 26172	B14	4	10-23	R 30939	B5	5	10-14	R 35352	G8	18	75-8
R 26286	D5	32	25-7	R 30964	G11	7	85-2	R 36535	D10	6	25-12
R 26286	D17	36	25-21	R 31147	D4	1	25-6	R 36547	D13	13	25-16
R 26287	C22	4	25-2	R 31147	E5	4	25-30	R 36548	D13	13	25-16

NUMERICAL INDEX - CONTINUED

PART NO.	GRID	KEY	PAGE	PART NO.	GRID	KEY	PAGE	PART NO.	GRID	KEY	PAGE
R 36549	D13	13	25-16	R 43170	B23	13	15-7	R 43821	C2	22	15-9
R 36550	D13	13	25-16	R 43369	A22	4	10-9	R 43851	B14	5	10-23
R 36551	D13	10	25-16	R 43413	A19	21	10-6	R 43883	B9	18	10-18
R 36552	D13	10	25-16	R 43413	B23	6	15-7	R 43986	C1	15	15-8
R 36648	D11	32	25-14	R 43416	A19	22	10-6	R 43986	C2	15	15-9
R 36846	C16	9	20-6	R 43416	B23	15	15-7	R 44161	B5	4	10-14
R 36846	C17	1	20-7	R 43424	B13	5	10-22	R 44162	B5	4	10-14
R 38614	B12	17	10-21	R 43424	G6	10	75-6	R 44163	B5	4	10-14
R 39804	G17	38	85-8	R 43424	G8	10	75-8	R 44342	G6	11	75-6
R 39832	A15	18	10-2	R 43425	B13	4	10-22	R 44342	G8	11	75-8
R 39832	E16	24	25-41	R 43428	B13	8	10-22	R 44373	A18	7	10-5
R 39886	E3	4	25-28	R 43429	B13	3	10-22	R 44373	A19	4	10-6
R 40236	B12	15	10-21	R 43491	C18	12	20-8	R 44373	B21	3	15-5
R 40337	G18	4	85-9	R 43548	B13	7	10-22	R 44373	B22	13	15-6
R 40337	G19	25	85-10	R 43549	B13	4	10-22	R 44374	A18	6	10-5
R 40337	G21	3	85-12	R 43595	A18	10	10-5	R 44374	A19	3	10-6
R 40545	G18	37	85-9	R 43595	A19	13	10-6	R 44374	B21	2	15-5
R 40546	G20	6	85-11	R 43595	B7	3	10-16	R 44374	B22	12	15-6
R 40548	G20	10	85-11	R 43603	G13	4	85-4	R 44378	B5	9	10-14
R 40548	G23	7	85-14	R 43603	G14	4	85-5	R 44378	B6	9	10-15
R 40703	D7	33	25-9	R 43603	G16	4	85-7	R 44853	A18	8	10-5
R 40703	D9	39	25-11	R 43604	B18	2	15-2	R 44853	A19	7	10-6
R 40703	D19	33	25-23	R 43605	B18	5	15-2	R 44853	B14	1	10-23
R 40707	D7	35	25-9	R 43605	B19	4	15-3	R 44925	B5	9	10-14
R 40707	D9	41	25-11	R 43621	A15	17	10-2	R 44925	B6	9	10-15
R 40707	D19	35	25-23	R 43634	A15	29	10-2	R 44926	B5	9	10-14
R 41071	B7	16	10-16	R 43660	B13	1	10-22	R 44926	B6	9	10-15
R 41203	D6	14	25-8	R 43679	B10	19	10-19	R 44927	B5	9	10-14
R 41203	D18	14	25-22	R 43680	B7	15	10-16	R 44927	B6	9	10-15
R 41285	B7	11	10-16	R 43681	B7	15	10-16	R 44928	B5	9	10-14
R 41285	B23	19	15-7	R 43682	B7	15	10-16	R 44928	B6	9	10-15
R 41285	C16	8	20-6	R 43683	B7	15	10-16	R 45003	B9	18	10-18
R 41406	A21	2	10-8	R 43724	B22	7	15-6	R 45004	B9	18	10-18
R 41412	B9	15	10-18	R 43724	B23	9	15-7	R 45005	B9	18	10-18
R 41423	B6	8	10-15	R 43751	A19	23	10-6	R 45133	B12	1	10-21
R 41425	B6	4	10-15	R 43751	B23	14	15-7	R 45192	B7	7	10-16
R 41853	C17	2	20-7	R 43774	A18	18	10-5	R 45193	B7	8	10-16
R 41934	B3	2	10-12	R 43774	A19	25	10-6	R 45194	B7	8	10-16
R 41934	B4	2	10-13	R 43774	B13	10	10-22	R 45195	B7	6	10-16
R 42173	B6	5	10-15	R 43780	A18	23	10-5	R 45692	B7	17	10-16
R 42175	B6	4	10-15	R 43780	A20	34	10-7	R 45692	B7	20	10-16
R 42340	A15	7	10-2	R 43780	B23	18	15-7	R 45692	C10	2	15-17
R 42355	B11	4	10-20	R 43780	C16	6	20-6	R 45693	B7	20	10-16
R 42356	B11	6	10-20	R 43787	B10	19	10-19	R 45693	G6	7	75-6
R 42364	B7	9	10-16	R 43788	B10	19	10-19	R 45693	G8	7	75-8
R 42390	B12	24	10-21	R 43789	B10	19	10-19	R 46411	B17	2	15-1
R 42406	A18	19	10-5	R 43801	C1	9	15-8	R 46472	B22	3	15-6
R 42406	A19	19	10-6	R 43801	C2	9	15-9	R 46479	A19	10	10-6
R 42406	C14	1	20-4	R 43803	C1	12	15-8	R 46479	C18	8	20-8
R 42406	C15	1	20-5	R 43803	C2	12	15-9	R 46522	C13	13	20-3
R 42574	G19	20	85-10	R 43804	C1	17	15-8	R 46567	B12	23	10-21
R 42574	G22	20	85-13	R 43804	C2	17	15-9	R 46626	C7	1	15-14
R 42664	C16	10	20-6	R 43805	C1	13	15-8	R 46627	B23	2	15-7
R 42664	C17	2	20-7	R 43805	C2	13	15-9	R 46627	C7	6	15-14
R 42693	A18	12	10-5	R 43806	C1	8	15-8	R 46679	C3	18	15-10
R 42693	A19	24	10-6	R 43806	C2	8	15-9	R 46681	C3	14	15-10
R 42693	C16	11	20-6	R 43808	C1	10	15-8	R 46682	C3	11	15-10
R 42693	C17	4	20-7	R 43808	C2	10	15-9	R 46682	C4	9	15-11
R 42693	C18	16	20-8	R 43815	C1	21	15-8	R 46683	C3	12	15-10
R 42694	A18	17	10-5	R 43815	C2	21	15-9	R 46684	C3	13	15-10
R 42694	C16	5	20-6	R 43816	C1	11	15-8	R 46685	C3	8	15-10
R 42714	B6	4	10-15	R 43816	C2	11	15-9	R 46685	C4	8	15-11
R 42729	B12	16	10-21	R 43817	C1	2	15-8	R 46686	C3	6	15-10
R 42729	E14	31	25-39	R 43817	C2	2	15-9	R 46686	C4	6	15-11
R 42729	E15	22	25-40	R 43819	C1	20	15-8	R 46687	C3	7	15-10
R 42729	G3	7	75-3	R 43819	C2	20	15-9	R 46688	C3	10	15-10
R 43167	B21	6	15-5	R 43821	C1	22	15-8	R 46689	C3	9	15-10

NUMERICAL INDEX - CONTINUED

PART NO.	GRID	KEY	PAGE	PART NO.	GRID	KEY	PAGE	PART NO.	GRID	KEY	PAGE
R 46690	C3	16	15-10	R 48689	E12	4	25-37	R 50379	B12	5	10-21
R 46691	C3	4	15-10	R 48691	E12	5	25-37	R 50381	B12	2	10-21
R 46691	C4	4	15-11	R 48692	E12	6	25-37	R 50384	B12	13	10-21
R 46692	C3	17	15-10	R 48693	A20	37	10-7	R 50386	B12	12	10-21
R 46693	C3	2	15-10	R 48693	E12	9	25-37	R 50387	B8	9	10-17
R 46693	C4	2	15-11	R 48694	E12	8	25-37	R 50388	B8	12	10-17
R 46903	B11	1	10-20	R 48695	E12	3	25-37	R 50389	B8	11	10-17
R 47049	D10	8	25-12	R 48696	E12	2	25-37	R 50390	A18	20	10-5
R 47049	D10	11	25-12	R 48697	E12	12	25-37	R 50390	A19	26	10-6
R 47074	A21	1	10-8	R 48698	E12	10	25-37	R 50390	A21	8	10-8
R 47077	D10	9	25-12	R 48699	E12	10	25-37	R 50392	B23	11	15-7
R 47092	A15	4	10-2	R 48700	E12	10	25-37	R 50393	A21	15	10-8
R 47293	B18	3	15-2	R 48701	E12	10	25-37	R 50396	B20	12	15-4
R 47314	B20	2	15-4	R 48702	E12	10	25-37	R 50397	A19	8	10-6
R 47358	D1	17	25-3	R 48703	E12	10	25-37	R 50397	B18	7	15-2
R 47395	A19	11	10-6	R 48704	E12	10	25-37	R 50397	B19	6	15-3
R 47395	B20	3	15-4	R 48705	E12	10	25-37	R 50397	B20	13	15-4
R 47395	B20	14	15-4	R 48706	E12	10	25-37	R 50398	B20	4	15-4
R 47430	C18	2	20-8	R 48709	C1	5	15-8	R 50399	A19	9	10-6
R 47433	C22	1	25-2	R 48709	C2	5	15-9	R 50399	B20	9	15-4
R 47692	C8	2	15-15	R 48710	C1	6	15-8	R 50400	B20	15	15-4
R 47693	C8	4	15-15	R 48710	C2	6	15-9	R 50402	B20	17	15-4
R 47731	E3	5	25-28	R 48712	C1	23	15-8	R 50403	C18	3	20-8
R 48000	D4	7	25-6	R 48723	C6	9	15-13	R 50404	B20	7	15-4
R 48000	E3	1	25-28	R 48755	A15	8	10-2	R 50405	A19	30	10-6
R 48071	C22	3	25-2	R 48755	A15	15	10-2	R 50405	B20	6	15-4
R 48071	D1	8	25-3	R 48755	C21	4	25-1	R 50406	A19	29	10-6
R 48071	D2	8	25-4	R 48795	D10	18	25-12	R 50406	B19	1	15-3
R 48291	A19	1	10-6	R 48976	G18	8	85-9	R 50406	B20	8	15-4
R 48291	B7	18	10-16	R 48976	G21	34	85-12	R 50408	C15	9	20-5
R 48358	D4	18	25-6	R 49211	D11	27	25-14	R 50409	C14	3	20-4
R 48358	D16	20	25-20	R 49211	D21	37	25-25	R 50409	C15	4	20-5
R 48358	E5	7	25-30	R 49415	E5	12	25-30	R 50410	C14	4	20-4
R 48359	D4	18	25-6	R 49464	B12	7	10-21	R 50410	C15	5	20-5
R 48359	D16	20	25-20	R 49464	B13	15	10-22	R 50411	C15	6	20-5
R 48359	E5	7	25-30	R 49465	B12	11	10-21	R 50413	C15	2	20-5
R 48360	D4	18	25-6	R 49465	B13	19	10-22	R 50414	B4	8	10-13
R 48360	D16	20	25-20	R 49470	A15	1	10-2	R 50415	C18	7	20-8
R 48360	E5	7	25-30	R 49549	E12	10	25-37	R 50416	C18	14	20-8
R 48362	B20	18	15-4	R 49551	E12	10	25-37	R 50418	B15	8	10-24
R 48362	C18	5	20-8	R 49552	E12	10	25-37	R 50419	A18	3	10-5
R 48398	B12	1	10-21	R 49553	E12	10	25-37	R 50419	A19	2	10-6
R 48399	A18	14	10-5	R 49554	E12	10	25-37	R 50419	B15	5	10-24
R 48399	C21	5	25-1	R 49555	E12	10	25-37	R 50420	A18	24	10-5
R 48505	E1	11	25-26	R 49556	E12	10	25-37	R 50420	A19	27	10-6
R 48506	E1	10	25-26	R 49557	E12	10	25-37	R 50420	A20	32	10-7
R 48509	E1	18	25-26	R 49558	E12	10	25-37	R 50420	B15	10	10-24
R 48515	D7	30	25-9	R 49629	E5	7	25-30	R 50420	C18	13	20-8
R 48515	D19	30	25-23	R 49650	A15	1	10-2	R 50421	B15	4	10-24
R 48516	D6	12	25-8	R 49759	C10	1	15-17	R 50422	B15	11	10-24
R 48516	D8	12	25-10	R 49859	C12	20	20-2	R 50423	B15	12	10-24
R 48516	D18	12	25-22	R 50201	E5	16	25-30	R 50424	A18	9	10-5
R 48517	D11	24	25-14	R 50352	A21	7	10-8	R 50424	A19	12	10-6
R 48517	D21	40	25-25	R 50353	A18	26	10-5	R 50424	B15	13	10-24
R 48520	D12	34	25-15	R 50353	A19	17	10-6	R 50425	D1	4	25-3
R 48520	D20	1	25-24	R 50353	A21	6	10-8	R 50425	D2	4	25-4
R 48521	D11	26	25-14	R 50354	A21	9	10-8	R 50426	D1	5	25-3
R 48521	D21	38	25-25	R 50355	A21	12	10-8	R 50426	D2	5	25-4
R 48523	D11	23	25-14	R 50356	B7	15	10-16	R 50427	D1	1	25-3
R 48523	D21	41	25-25	R 50357	B10	19	10-19	R 50427	D2	1	25-4
R 48531	D13	23	25-16	R 50358	B9	18	10-18	R 50502	C3	20	15-10
R 48531	E1	20	25-26	R 50360	B7	14	10-16	R 50600	A17	1	10-4
R 48607	D21	39	25-25	R 50375	B15	9	10-24	R 50659	G13	10	85-4
R 48628	A21	11	10-8	R 50377	B12	25	10-21	R 50659	G14	10	85-5
R 48633	A19	28	10-6	R 50378	A18	25	10-5	R 50659	G15	18	85-6
R 48633	E5	1	25-30	R 50378	A19	31	10-6	R 50660	G15	17	85-6
R 48633	E12	1	25-37	R 50378	B12	4	10-21	R 50784	C1	12	15-8

NUMERICAL INDEX - CONTINUED

PART NO.	GRID	KEY	PAGE	PART NO.	GRID	KEY	PAGE	PART NO.	GRID	KEY	PAGE
R 50784	C2	12	15-9	R 53162	F2	56	25-49	R 53888	F8	34	25-55
R 50785	C1	12	15-8	R 53162	F8	57	25-55	R 53888	F14	34	25-61
R 50785	C2	12	15-9	R 53162	F14	57	25-61	R 53897	E8	28	25-33
R 50860	A22	3	10-9	R 53200	B7	14	10-16	R 53897	E17	28	25-42
R 51053	B15	11	10-24	R 53231	C12	2	20-2	R 53897	F1	28	25-48
R 51283	B15	4	10-24	R 53282	A18	5	10-5	R 53897	F8	29	25-55
R 51284	B15	9	10-24	R 53282	A19	20	10-6	R 53897	F14	29	25-61
R 51347	B7	2	10-16	R 53290	B5	6	10-14	R 53899	E8	55	25-33
R 51440	C16	7	20-6	R 53290	B6	6	10-15	R 53900	E8	56	25-33
R 51528	G15	14	85-6	R 53292	B5	7	10-14	R 53901	E6	23	25-31
R 51529	G15	2	85-6	R 53292	B6	7	10-15	R 53901	E8	52	25-33
R 51530	G15	6	85-6	R 53299	D17	24	25-21	R 53901	E11	6	25-36
R 51531	G15	5	85-6	R 53300	D17	22	25-21	R 53901	E18	53	25-43
R 51532	G15	9	85-6	R 53300	E20	64	25-45	R 53901	F2	53	25-49
R 51533	G15	19	85-6	R 53300	F4	63	25-51	R 53901	F5	6	25-52
R 51534	G15	13	85-6	R 53300	F10	64	25-57	R 53901	F8	54	25-55
R 51535	G15	26	85-6	R 53300	F16	63	25-63	R 53901	F14	54	25-61
R 51603	A20	36	10-7	R 53307	F20	16	30-2	R 53901	F17	6	25-64
R 51603	E4	2	25-29	R 53308	F20	12	30-2	R 53902	E8	57	25-33
R 51603	E12	11	25-37	R 53309	F20	1	30-2	R 53902	E11	8	25-36
R 51603	F6	2	25-53	R 53310	F21	46	30-3	R 53902	F5	8	25-52
R 51603	F18	2	25-65	R 53311	F20	4	30-2	R 53902	F17	8	25-64
R 51682	C14	5	20-4	R 53312	F21	43	30-3	R 53903	E5	22	25-30
R 51683	C14	8	20-4	R 53313	F21	40	30-3	R 53903	E8	54	25-33
R 51684	C15	13	20-5	R 53314	F20	27	30-2	R 53903	E8	58	25-33
R 51822	C9	2	15-16	R 53316	F20	25	30-2	R 53903	E11	7	25-36
R 51936	E5	20	25-30	R 53317	F20	18	30-2	R 53903	E18	55	25-43
R 51937	E5	20	25-30	R 53319	F21	44	30-3	R 53903	E18	57	25-43
R 51944	A17	6	10-4	R 53323	F20	15	30-2	R 53903	F2	55	25-49
R 51960	C18	14	20-8	R 53325	F21	45	30-3	R 53903	F2	57	25-49
R 52048	B12	20	10-21	R 53327	F21	28	30-3	R 53903	F5	7	25-52
R 52049	A18	13	10-5	R 53332	F20	8	30-2	R 53903	F8	56	25-55
R 52049	A19	15	10-6	R 53333	F20	11	30-2	R 53903	F8	58	25-55
R 52049	B12	21	10-21	R 53334	F20	15	30-2	R 53903	F14	56	25-61
R 52159	G13	9	85-4	R 53335	F20	6	30-2	R 53903	F14	58	25-61
R 52159	G15	17	85-6	R 53336	F21	29	30-3	R 53903	F17	7	25-64
R 52161	G14	9	85-5	R 53338	F20	10A	30-2	R 53911	E9	18	25-34
R 52161	G15	17	85-6	R 53340	F21	51	30-3	R 53911	E19	16	25-44
R 52288	B18	6	15-2	R 53341	F21	36	30-3	R 53911	F3	15	25-50
R 52288	B19	5	15-3	R 53344	F21	32	30-3	R 53911	F9	16	25-56
R 52429	C13	15	20-3	R 53345	F21	39	30-3	R 53911	F15	15	25-62
R 52509	C16	2	20-6	R 53346	F21	37	30-3	R 53912	E9	17	25-34
R 52591	C14	14	20-4	R 53349	F20	10B	30-2	R 53912	E19	15	25-44
R 52592	C15	15	20-5	R 53350	F21	31	30-3	R 53912	F3	14	25-50
R 52603	C14	13	20-4	R 53423	C18	10	20-8	R 53912	F9	15	25-56
R 52603	G13	6	85-4	R 53437	C14	12	20-4	R 53912	F15	14	25-62
R 52773	B10	22	10-19	R 53438	A18	1	10-5	R 53914	E9	6	25-34
R 52775	B23	20	15-7	R 53597	C13	21	20-3	R 53915	E9	11	25-34
R 52811	A20	33	10-7	R 53598	C12	14	20-2	R 53915	E19	13	25-44
R 52811	B20	11	15-4	R 53598	C13	9	20-3	R 53915	F9	13	25-56
R 53013	A17	2	10-4	R 53885	E8	45	25-33	R 53917	E9	8	25-34
R 53108	A18	11	10-5	R 53885	E19	3	25-44	R 53917	E19	8	25-44
R 53108	A19	16	10-6	R 53885	F3	3	25-50	R 53917	F3	9	25-50
R 53108	G18	3	85-9	R 53885	F9	3	25-56	R 53917	F9	8	25-56
R 53138	A17	2	10-4	R 53885	F15	3	25-62	R 53917	F15	9	25-62
R 53141	C12	19	20-2	R 53886	E8	42	25-33	R 53918	E9	2	25-34
R 53161	E8	25	25-33	R 53886	E18	42	25-43	R 53918	E19	6	25-44
R 53161	E11	..	25-36	R 53886	F2	42	25-49	R 53918	F3	7	25-50
R 53161	E17	25	25-42	R 53886	F8	43	25-55	R 53918	F9	6	25-56
R 53161	F1	25	25-48	R 53886	F14	43	25-61	R 53918	F15	7	25-62
R 53161	F5	..	25-52	R 53887	E18	43	25-43	R 53919	E19	11	25-44
R 53161	F8	26	25-55	R 53887	F2	43	25-49	R 53919	F9	11	25-56
R 53161	F14	26	25-61	R 53887	F8	44	25-55	R 53920	E9	20	25-34
R 53161	F17	..	25-64	R 53887	F14	44	25-61	R 53920	E19	19	25-44
R 53162	E6	23	25-31	R 53888	E8	33	25-33	R 53920	F3	18	25-50
R 53162	E8	53	25-33	R 53888	E17	33	25-42	R 53920	F9	19	25-56
R 53162	E18	56	25-43	R 53888	F1	33	25-48	R 53920	F15	18	25-62

NUMERICAL INDEX - CONTINUED

PART NO.	GRID	KEY	PAGE	PART NO.	GRID	KEY	PAGE	PART NO.	GRID	KEY	PAGE
R 53921	E9	20	25-34	R 53934	F16	46	25-63	R 53949	F4	30	25-51
R 53921	E19	19	25-44	R 53935	E10	48	25-35	R 53949	F10	31	25-57
R 53921	F3	18	25-50	R 53935	E20	46	25-45	R 53949	F16	30	25-63
R 53921	F9	19	25-56	R 53935	F4	45	25-51	R 53950	E10	27	25-35
R 53921	F15	18	25-62	R 53935	F10	46	25-57	R 53950	E20	28	25-45
R 53922	E9	20	25-34	R 53935	F16	45	25-63	R 53950	F4	27	25-51
R 53922	E19	19	25-44	R 53936	E10	49	25-35	R 53950	F10	28	25-57
R 53922	F3	18	25-50	R 53936	E20	45	25-45	R 53950	F16	27	25-63
R 53922	F9	19	25-56	R 53936	F4	44	25-51	R 53951	E10	28	25-35
R 53922	F15	18	25-62	R 53936	F10	45	25-57	R 53951	E20	29	25-45
R 53923	E9	20	25-34	R 53936	F16	44	25-63	R 53951	F4	28	25-51
R 53923	E19	19	25-44	R 53937	E10	46	25-35	R 53951	F10	29	25-57
R 53923	E20	42	25-45	R 53937	E20	48	25-45	R 53951	F16	28	25-63
R 53923	F3	18	25-50	R 53937	F4	47	25-51	R 53952	E10	29	25-35
R 53923	F9	19	25-56	R 53937	F10	48	25-57	R 53952	E20	30	25-45
R 53923	F10	42	25-57	R 53937	F16	47	25-63	R 53952	F4	29	25-51
R 53923	F15	18	25-62	R 53938	E10	45	25-35	R 53952	F10	30	25-57
R 53924	E9	21	25-34	R 53938	E20	49	25-45	R 53952	F16	29	25-63
R 53924	E19	20	25-44	R 53938	F4	48	25-51	R 53953	E10	26	25-35
R 53924	F3	19	25-50	R 53938	F10	49	25-57	R 53953	E19	27	25-44
R 53924	F9	20	25-56	R 53938	F16	48	25-63	R 53953	F3	26	25-50
R 53924	F15	19	25-62	R 53939	E10	45	25-35	R 53953	F9	27	25-56
R 53925	E10	54	25-35	R 53939	E20	49	25-45	R 53953	F15	26	25-62
R 53925	E20	77	25-45	R 53939	F4	48	25-51	R 53955	E10	34	25-35
R 53925	F4	76	25-51	R 53939	F10	49	25-57	R 53955	E20	39	25-45
R 53925	F10	77	25-57	R 53939	F16	48	25-63	R 53955	F4	38	25-51
R 53925	F16	76	25-63	R 53940	E10	45	25-35	R 53955	F10	39	25-57
R 53926	E10	53	25-35	R 53940	E20	49	25-45	R 53955	F16	38	25-63
R 53926	E20	74	25-45	R 53940	F4	48	25-51	R 53956	E10	36	25-35
R 53926	F4	73	25-51	R 53940	F10	49	25-57	R 53956	E20	38	25-45
R 53926	F10	74	25-57	R 53940	F16	48	25-63	R 53956	F4	37	25-51
R 53926	F16	73	25-63	R 53941	E10	39	25-35	R 53956	F10	38	25-57
R 53927	E10	52	25-35	R 53941	E10	42	25-35	R 53956	F16	37	25-63
R 53927	E20	75	25-45	R 53941	F4	36	25-51	R 53958	E10	40	25-35
R 53927	F4	74	25-51	R 53941	F16	36	25-63	R 53958	E20	43	25-45
R 53927	F10	75	25-57	R 53942	E10	43	25-35	R 53958	F4	42	25-51
R 53927	F16	74	25-63	R 53942	E20	53	25-45	R 53958	F10	43	25-57
R 53928	E10	56	25-35	R 53942	E22	40	25-47	R 53958	F16	42	25-63
R 53928	E20	73	25-45	R 53942	F4	52	25-51	R 53959	E10	77	25-35
R 53928	F4	72	25-51	R 53942	F10	53	25-57	R 53959	E20	56	25-45
R 53928	F10	73	25-57	R 53942	F12	40	25-59	R 53959	F10	56	25-57
R 53928	F16	72	25-63	R 53942	F16	52	25-63	R 53960	E10	75	25-35
R 53929	E10	57	25-35	R 53943	E9	16	25-34	R 53960	E20	54	25-45
R 53929	E20	72	25-45	R 53943	E19	21	25-44	R 53960	F4	53	25-51
R 53929	F4	71	25-51	R 53943	F9	21	25-56	R 53960	F10	54	25-57
R 53929	F10	72	25-57	R 53945	E9	12	25-34	R 53960	F16	53	25-63
R 53929	F16	71	25-63	R 53945	E19	12	25-44	R 53961	E10	71	25-35
R 53930	E19	24	25-44	R 53945	F3	11	25-50	R 53961	E20	59	25-45
R 53930	F3	23	25-50	R 53945	F9	12	25-56	R 53961	F4	58	25-51
R 53930	F9	24	25-56	R 53945	F15	11	25-62	R 53961	F10	59	25-57
R 53930	F15	23	25-62	R 53946	E10	33	25-35	R 53961	F16	58	25-63
R 53931	E9	22	25-34	R 53946	E20	32	25-45	R 53962	E10	70	25-35
R 53931	E19	23	25-44	R 53946	F4	31	25-51	R 53962	F4	57	25-51
R 53931	F3	22	25-50	R 53946	F10	32	25-57	R 53962	F16	57	25-63
R 53931	F9	23	25-56	R 53946	F16	31	25-63	R 53963	E10	73	25-35
R 53931	F15	22	25-62	R 53947	E10	32	25-35	R 53963	E20	61	25-45
R 53932	E9	24	25-34	R 53947	E20	40	25-45	R 53963	F4	60	25-51
R 53932	E19	25	25-44	R 53947	F4	39	25-51	R 53963	F10	61	25-57
R 53932	E21	11	25-46	R 53947	F10	40	25-57	R 53963	F16	60	25-63
R 53932	F3	24	25-50	R 53947	F16	39	25-63	R 53964	E10	74	25-35
R 53932	F9	25	25-56	R 53948	E10	31	25-35	R 53964	E20	62	25-45
R 53932	F11	11	25-58	R 53948	E20	41	25-45	R 53964	F4	61	25-51
R 53932	F15	24	25-62	R 53948	F4	40	25-51	R 53964	F10	62	25-57
R 53934	E10	47	25-35	R 53948	F10	41	25-57	R 53964	F16	61	25-63
R 53934	E20	47	25-45	R 53948	F16	40	25-63	R 53966	E10	64	25-35
R 53934	F4	46	25-51	R 53949	E10	30	25-35	R 53966	E20	69	25-45
R 53934	F10	47	25-57	R 53949	E20	31	25-45	R 53966	F4	68	25-51

NUMERICAL INDEX - CONTINUED

PART NO.	GRID	KEY	PAGE	PART NO.	GRID	KEY	PAGE	PART NO.	GRID	KEY	PAGE
R 53966	F10	69	25-57	R 54004	E17	24	25-42	R 54223	D15	9	25-18
R 53966	F16	68	25-63	R 54004	E21	25	25-46	R 54224	D11	20	25-14
R 53969	E10	62	25-35	R 54004	F1	24	25-48	R 54224	D21	33	25-25
R 53969	E20	71	25-45	R 54004	F8	25	25-55	R 54225	D11	2	25-14
R 53969	F4	70	25-51	R 54004	F11	25	25-58	R 54225	D20	12	25-24
R 53969	F10	71	25-57	R 54004	F14	25	25-61	R 54226	D15	14	25-18
R 53969	F16	70	25-63	R 54005	E21	24	25-46	R 54226	E2	11	25-27
R 53970	E10	62	25-35	R 54005	F11	24	25-58	R 54227	D11	3	25-14
R 53970	E20	71	25-45	R 54006	E22	44	25-47	R 54227	D20	13	25-24
R 53970	F4	70	25-51	R 54006	F12	44	25-59	R 54228	D4	25	25-6
R 53970	F10	71	25-57	R 54011	E11	11	25-36	R 54228	D17	31	25-21
R 53970	F16	70	25-63	R 54011	F5	11	25-52	R 54228	D20	20	25-24
R 53971	E10	51	25-35	R 54011	F17	11	25-64	R 54229	D4	28	25-6
R 53971	E20	76	25-45	R 54012	E11	7	25-36	R 54229	D17	28	25-21
R 53971	F4	75	25-51	R 54013	E11	14	25-36	R 54229	D20	10	25-24
R 53971	F10	76	25-57	R 54013	F5	14	25-52	R 54230	D11	7	25-14
R 53971	F16	75	25-63	R 54013	F17	14	25-64	R 54230	D20	18	25-24
R 53972	E9	2	25-34	R 54016	E11	10	25-36	R 54231	D15	13	25-18
R 53972	E9	4	25-34	R 54016	F5	10	25-52	R 54231	E2	10	25-27
R 53972	E10	67	25-35	R 54016	F17	10	25-64	R 54232	D11	8	25-14
R 53972	E19	5	25-44	R 54021	E11	26	25-36	R 54232	D20	15	25-24
R 53972	E20	66	25-45	R 54021	F5	24	25-52	R 54233	D4	24	25-6
R 53972	E21	21	25-46	R 54021	F17	24	25-64	R 54233	D17	32	25-21
R 53972	F3	6	25-50	R 54022	F5	5	25-52	R 54233	D20	21	25-24
R 53972	F3	7	25-50	R 54022	F17	5	25-64	R 54234	D15	11A	25-18
R 53972	F4	65	25-51	R 54023	E11	4	25-36	R 54235	D11	6	25-14
R 53972	F9	5	25-56	R 54023	F5	4	25-52	R 54235	D20	17	25-24
R 53972	F10	66	25-57	R 54023	F17	4	25-64	R 54237	D15	6	25-18
R 53972	F11	21	25-58	R 54024	E11	2	25-36	R 54237	E2	3	25-27
R 53972	F15	6	25-62	R 54024	F5	2	25-52	R 54238	D6	23	25-8
R 53972	F15	7	25-62	R 54024	F17	2	25-64	R 54239	D13	25	25-16
R 53972	F16	65	25-63	R 54025	E11	3	25-36	R 54239	E1	22	25-26
R 53975	E10	59	25-35	R 54025	F5	3	25-52	R 54240	D13	26	25-16
R 53976	E10	61	25-35	R 54025	F17	3	25-64	R 54240	E1	23	25-26
R 53976	E20	37	25-45	R 54026	E11	20	25-36	R 54241	D13	27	25-16
R 53976	E20	51	25-45	R 54026	F5	20	25-52	R 54241	E1	24	25-26
R 53976	E20	65	25-45	R 54026	F17	20	25-64	R 54242	D13	16	25-16
R 53976	F4	50	25-51	R 54027	E11	18	25-36	R 54242	E1	15	25-26
R 53976	F10	37	25-57	R 54027	F5	18	25-52	R 54243	D11	4	25-14
R 53976	F10	51	25-57	R 54027	F17	18	25-64	R 54244	D15	17	25-18
R 53976	F10	65	25-57	R 54028	E11	21	25-36	R 54244	E2	14	25-27
R 53976	F16	50	25-63	R 54028	F5	21	25-52	R 54245	D6	13	25-8
R 53978	E22	29	25-47	R 54028	F17	21	25-64	R 54245	D18	13	25-22
R 53978	F12	29	25-59	R 54029	E11	19	25-36	R 54246	D15	10A	25-18
R 53981	E22	34	25-47	R 54029	F5	19	25-52	R 54246	E2	7	25-27
R 53981	F12	34	25-59	R 54029	F17	19	25-64	R 54247	D11	29	25-14
R 53982	E22	30	25-47	R 54030	E11	15	25-36	R 54248	D13	3	25-16
R 53982	F12	30	25-59	R 54030	F5	15	25-52	R 54248	E1	3	25-26
R 53983	E22	36	25-47	R 54030	F17	15	25-64	R 54249	D13	18	25-16
R 53983	F12	36	25-59	R 54031	E11	17	25-36	R 54249	E1	17	25-26
R 53985	E22	31	25-47	R 54031	F5	17	25-52	R 54250	D4	27	25-6
R 53985	F12	31	25-59	R 54031	F17	17	25-64	R 54250	D17	29	25-21
R 53986	E22	37	25-47	R 54032	E11	16	25-36	R 54250	D20	19	25-24
R 53986	F12	37	25-59	R 54032	F5	16	25-52	R 54251	D7	38	25-9
R 53987	E22	38	25-47	R 54032	F17	16	25-64	R 54251	D9	44	25-11
R 53987	F12	38	25-59	R 54033	E11	1	25-36	R 54251	D19	38	25-23
R 53988	E22	42	25-47	R 54033	F5	1	25-52	R 54252	D13	17	25-16
R 53988	F12	42	25-59	R 54033	F17	1	25-64	R 54252	E1	16	25-26
R 53989	E22	47	25-47	R 54088	D16	18	25-20	R 54253	D15	7	25-18
R 53989	F12	47	25-59	R 54088	E5	19	25-30	R 54253	E2	4	25-27
R 53991	E21	22	25-46	R 54088	E13	26	25-38	R 54254	D7	36	25-9
R 53991	F11	22	25-58	R 54088	E15	17	25-40	R 54254	D9	42	25-11
R 53995	E21	13	25-46	R 54114	B6	3	10-15	R 54254	D19	36	25-23
R 53995	F11	13	25-58	R 54176	C3	1	15-10	R 54255	D11	18	25-14
R 53997	E21	19	25-46	R 54177	C3	5	15-10	R 54255	D21	31	25-25
R 53997	F11	19	25-58	R 54222	D15	8	25-18	R 54257	D13	1	25-16
R 54004	E8	24	25-33	R 54222	E2	5	25-27	R 54259	D15	2	25-18

NUMERICAL INDEX - CONTINUED

PART NO.	GRID	KEY	PAGE	PART NO.	GRID	KEY	PAGE	PART NO.	GRID	KEY	PAGE
R 54260	D11	13	25-14	R 54857	E17	2	25-42	R 54871	E8	43	25-33
R 54260	D20	26	25-24	R 54857	F1	2	25-48	R 54872	E8	47	25-33
R 54261	D15	1	25-18	R 54857	F7	2	25-54	R 54872	E18	47	25-43
R 54263	B6	4	10-15	R 54857	F13	2	25-60	R 54872	F2	47	25-49
R 54264	B6	4	10-15	R 54858	E7	3	25-32	R 54872	F8	48	25-55
R 54300	E10	78	25-35	R 54858	E17	3	25-42	R 54872	F14	48	25-61
R 54300	E20	57	25-45	R 54858	F1	3	25-48	R 54873	E8	48	25-33
R 54300	F4	56	25-51	R 54858	F7	3	25-54	R 54873	E18	48	25-43
R 54300	F10	57	25-57	R 54858	F13	3	25-60	R 54873	F2	48	25-49
R 54300	F16	56	25-63	R 54859	E7	1	25-32	R 54873	F8	49	25-55
R 54412	B21	5	15-5	R 54859	E17	1	25-42	R 54873	F14	49	25-61
R 54500	B22	8	15-6	R 54859	F1	1	25-48	R 54874	E8	46	25-33
R 54500	B23	10	15-7	R 54859	F7	1	25-54	R 54874	E18	46	25-43
R 54561	B13	12	10-22	R 54859	F13	1	25-60	R 54874	F2	46	25-49
R 54565	B9	1	10-18	R 54860	E8	50	25-33	R 54874	F8	47	25-55
R 54565	B9	3	10-18	R 54860	E18	51	25-43	R 54874	F14	47	25-61
R 54626	D13	12	25-16	R 54860	F2	51	25-49	R 54875	E7	21	25-32
R 54626	E1	9	25-26	R 54860	F8	52	25-55	R 54875	E17	21	25-42
R 54627	D11	31	25-14	R 54860	F14	52	25-61	R 54875	F1	21	25-48
R 54628	D15	3	25-18	R 54861	E8	51	25-33	R 54875	F8	22	25-55
R 54846	E17	18	25-42	R 54861	E18	52	25-43	R 54875	F14	22	25-61
R 54846	F1	18	25-48	R 54861	F2	52	25-49	R 54876	E7	19	25-32
R 54847	E7	16	25-32	R 54861	F8	53	25-55	R 54876	E17	20	25-42
R 54847	E17	16	25-42	R 54861	F14	53	25-61	R 54876	F1	20	25-48
R 54847	F1	16	25-48	R 54862	E8	34	25-33	R 54876	F8	21	25-55
R 54847	F7	16	25-54	R 54862	E17	34	25-42	R 54876	F14	21	25-61
R 54847	F13	16	25-60	R 54862	F1	34	25-48	R 54877	E8	23	25-33
R 54848	E7	15	25-32	R 54863	E8	35	25-33	R 54877	E17	23	25-42
R 54848	E17	15	25-42	R 54863	E17	35	25-42	R 54877	F1	23	25-48
R 54848	F1	15	25-48	R 54863	F1	35	25-48	R 54877	F8	24	25-55
R 54849	E7	14	25-32	R 54863	F8	36	25-55	R 54877	F14	24	25-61
R 54849	E17	14	25-42	R 54863	F14	36	25-61	R 54878	E8	29	25-33
R 54849	F1	14	25-48	R 54864	E8	36	25-33	R 54878	E17	29	25-42
R 54849	F7	14	25-54	R 54864	E18	36	25-43	R 54878	F1	29	25-48
R 54849	F13	14	25-60	R 54864	F2	36	25-49	R 54879	E8	31	25-33
R 54850	E7	13	25-32	R 54864	F8	37	25-55	R 54879	E17	31	25-42
R 54850	E17	13	25-42	R 54864	F14	37	25-61	R 54879	F1	31	25-48
R 54850	F1	13	25-48	R 54865	E8	36	25-33	R 54879	F8	32	25-55
R 54850	F7	13	25-54	R 54865	E18	36	25-43	R 54879	F14	32	25-61
R 54850	F13	13	25-60	R 54865	F2	36	25-49	R 54880	E8	30	25-33
R 54851	E7	11	25-32	R 54865	F8	37	25-55	R 54880	E17	30	25-42
R 54851	E17	11	25-42	R 54865	F14	37	25-61	R 54880	F1	30	25-48
R 54851	F1	11	25-48	R 54866	E8	36	25-33	R 54880	F8	31	25-55
R 54851	F7	11	25-54	R 54866	E18	36	25-43	R 54880	F14	31	25-61
R 54851	F13	11	25-60	R 54866	F2	36	25-49	R 54881	E7	6	25-32
R 54852	E7	12	25-32	R 54866	F8	37	25-55	R 54881	E17	6	25-42
R 54852	E17	12	25-42	R 54866	F14	37	25-61	R 54881	F1	6	25-48
R 54852	F1	12	25-48	R 54867	E8	36	25-33	R 54881	F7	6	25-54
R 54852	F7	12	25-54	R 54867	E18	36	25-43	R 54881	F13	6	25-60
R 54852	F13	12	25-60	R 54867	F2	36	25-49	R 54882	E8	39	25-33
R 54853	E7	8	25-32	R 54867	F8	37	25-55	R 54882	E18	39	25-43
R 54853	E17	8	25-42	R 54867	F14	37	25-61	R 54882	F2	39	25-49
R 54853	F1	8	25-48	R 54868	E8	36	25-33	R 54882	F8	40	25-55
R 54853	F7	8	25-54	R 54868	E18	36	25-43	R 54882	F14	40	25-61
R 54853	F13	8	25-60	R 54868	F2	36	25-49	R 54883	E8	41	25-33
R 54854	E7	7	25-32	R 54868	F8	37	25-55	R 54883	E18	41	25-43
R 54854	E17	7	25-42	R 54868	F14	37	25-61	R 54883	F2	41	25-49
R 54854	F1	7	25-48	R 54869	E8	36	25-33	R 54883	F8	42	25-55
R 54854	F7	7	25-54	R 54869	E18	36	25-43	R 54883	F14	42	25-61
R 54854	F13	7	25-60	R 54869	F2	36	25-49	R 54884	E8	40	25-33
R 54855	E7	4	25-32	R 54869	F8	37	25-55	R 54884	E18	40	25-43
R 54856	E7	5	25-32	R 54869	F14	37	25-61	R 54884	F2	40	25-49
R 54856	E17	5	25-42	R 54870	E8	36	25-33	R 54884	F8	41	25-55
R 54856	F1	5	25-48	R 54870	E18	36	25-43	R 54884	F14	41	25-61
R 54856	F7	5	25-54	R 54870	F2	36	25-49	R 54885	E8	44	25-33
R 54856	F13	5	25-60	R 54870	F8	37	25-55	R 54885	E18	44	25-43
R 54857	E7	2	25-32	R 54870	F14	37	25-61	R 54885	F2	44	25-49

NUMERICAL INDEX - CONTINUED

PART NO.	GRID	KEY	PAGE	PART NO.	GRID	KEY	PAGE	PART NO.	GRID	KEY	PAGE
R 54885	F8	45	25-55	R 54912	E7	17	25-32	R 55059	B9	18	10-18
R 54885	F14	45	25-61	R 54912	F7	17	25-54	R 55060	B10	19	10-19
R 54887	E22	46	25-47	R 54912	F13	17	25-60	R 55061	B7	15	10-16
R 54887	F12	46	25-59	R 54919	E9	14	25-34	R 55062	E8	29	25-33
R 54891	E7	15	25-32	R 54921	E9	12	25-34	R 55062	F8	30	25-55
R 54891	F7	15	25-54	R 54921	E9	13	25-34	R 55062	F14	30	25-61
R 54891	F13	15	25-60	R 54921	E19	12	25-44	R 55063	E8	59	25-33
R 54892	E7	9	25-32	R 54921	E19	17	25-44	R 55063	F7	19	25-54
R 54892	F7	9	25-54	R 54921	F3	11	25-50	R 55063	F13	19	25-60
R 54892	F13	9	25-60	R 54921	F3	16	25-50	R 55064	E9	1	25-34
R 54893	E8	34	25-33	R 54921	F9	12	25-56	R 55064	E19	1	25-44
R 54893	F8	35	25-55	R 54921	F9	17	25-56	R 55064	F3	1	25-50
R 54893	F14	35	25-61	R 54921	F15	11	25-62	R 55064	F9	1	25-56
R 54894	E7	17	25-32	R 54921	F15	16	25-62	R 55064	F15	1	25-62
R 54894	F7	17	25-54	R 54922	E10	35	25-35	R 55065	E10	58	25-35
R 54894	F13	17	25-60	R 54922	E20	33	25-45	R 55065	F4	49	25-51
R 54895	E7	17	25-32	R 54922	F4	32	25-51	R 55066	E20	64	25-45
R 54895	F7	17	25-54	R 54922	F10	33	25-57	R 55066	F4	63	25-51
R 54895	F13	17	25-60	R 54922	F16	32	25-63	R 55066	F10	64	25-57
R 54896	E7	17	25-32	R 54923	E10	41	25-35	R 55066	F16	63	25-63
R 54896	F7	17	25-54	R 54923	F4	41	25-51	R 55067	E11	12	25-36
R 54896	F13	17	25-60	R 54923	F16	41	25-63	R 55068	E11	13	25-36
R 54897	E7	17	25-32	R 54924	E10	70	25-35	R 55069	E11	9	25-36
R 54897	F7	17	25-54	R 54924	E20	58	25-45	R 55069	F5	9	25-52
R 54897	F13	17	25-60	R 54924	F10	58	25-57	R 55069	F17	9	25-64
R 54898	E7	17	25-32	R 54925	E10	74	25-35	R 55070	E11	23	25-36
R 54898	F7	17	25-54	R 54926	E10	66	25-35	R 55071	E11	27	25-36
R 54898	F13	17	25-60	R 54926	E20	67	25-45	R 55072	E11	25	25-36
R 54899	E7	17	25-32	R 54926	F4	66	25-51	R 55073	E11	24	25-36
R 54899	F7	17	25-54	R 54926	F10	67	25-57	R 55074	E11	5	25-36
R 54899	F13	17	25-60	R 54926	F16	66	25-63	R 55078	B22	6	15-6
R 54900	E7	17	25-32	R 54927	E10	68	25-35	R 55078	B23	13	15-7
R 54900	F7	17	25-54	R 54930	E22	41	25-47	R 55152	E8	35	25-33
R 54900	F13	17	25-60	R 54930	F12	41	25-59	R 55152	E18	36	25-43
R 54901	E7	17	25-32	R 54931	E21	26	25-46	R 55152	F2	36	25-49
R 54901	F7	17	25-54	R 54931	F11	26	25-58	R 55152	F8	37	25-55
R 54901	F13	17	25-60	R 54932	E9	10	25-34	R 55152	F14	37	25-61
R 54902	E7	17	25-32	R 54932	E20	80	25-45	R 55153	E8	36	25-33
R 54902	F7	17	25-54	R 54932	E22	27	25-47	R 55153	E18	36	25-43
R 54902	F13	17	25-60	R 54932	F10	80	25-57	R 55153	F2	36	25-49
R 54903	E7	17	25-32	R 54932	F12	27	25-59	R 55153	F8	37	25-55
R 54903	F7	17	25-54	R 54933	E21	14	25-46	R 55153	F14	37	25-61
R 54903	F13	17	25-60	R 54933	F11	14	25-58	R 55154	E8	36	25-33
R 54904	E7	17	25-32	R 54936	E21	20	25-46	R 55154	E18	36	25-43
R 54904	F7	17	25-54	R 54936	F11	20	25-58	R 55154	F2	36	25-49
R 54904	F13	17	25-60	R 54937	E19	10	25-44	R 55154	F8	37	25-55
R 54905	E7	17	25-32	R 54937	F9	10	25-56	R 55154	F14	37	25-61
R 54905	F7	17	25-54	R 54938	E19	9	25-44	R 55155	E8	36	25-33
R 54905	F13	17	25-60	R 54938	F9	9	25-56	R 55155	E18	36	25-43
R 54906	E7	17	25-32	R 55022	E11	5	25-36	R 55155	F2	36	25-49
R 54906	F7	17	25-54	R 55024	C1	18	15-8	R 55155	F8	37	25-55
R 54906	F13	17	25-60	R 55024	C2	18	15-9	R 55155	F14	37	25-61
R 54907	E7	17	25-32	R 55025	C1	3	15-8	R 55156	E8	36	25-33
R 54907	F7	17	25-54	R 55025	C2	3	15-9	R 55156	E18	36	25-43
R 54907	F13	17	25-60	R 55026	C1	1	15-8	R 55156	F2	36	25-49
R 54908	E7	17	25-32	R 55027	C1	1	15-8	R 55156	F8	37	25-55
R 54908	F7	17	25-54	R 55027	C2	1	15-9	R 55156	F14	37	25-61
R 54908	F13	17	25-60	R 55028	C1	23	15-8	R 55157	E8	36	25-33
R 54909	E7	17	25-32	R 55028	C2	23	15-9	R 55157	E18	36	25-43
R 54909	F7	17	25-54	R 55029	C3	5	15-10	R 55157	F2	36	25-49
R 54909	F13	17	25-60	R 55030	C3	1	15-10	R 55157	F8	37	25-55
R 54910	E7	17	25-32	R 55030	C4	1	15-11	R 55157	F14	37	25-61
R 54910	F7	17	25-54	R 55031	C3	20	15-10	R 55158	E8	36	25-33
R 54910	F13	17	25-60	R 55055	B9	18	10-18	R 55158	E18	36	25-43
R 54911	E7	17	25-32	R 55056	B10	19	10-19	R 55158	F2	36	25-49
R 54911	F7	17	25-54	R 55057	B9	18	10-18	R 55158	F8	37	25-55
R 54911	F13	17	25-60	R 55058	B10	19	10-19	R 55158	F14	37	25-61

NUMERICAL INDEX - CONTINUED

PART NO.	GRID	KEY	PAGE	PART NO.	GRID	KEY	PAGE	PART NO.	GRID	KEY	PAGE
R 55159	E8	36	25-33	R 56629	C3	16	15-10	R 59293	D16	4	25-20
R 55159	E18	36	25-43	R 56630	C3	3	15-10	R 59293	E13	4	25-38
R 55159	F2	36	25-49	R 56631	C3	3	15-10	R 59293	E15	4	25-40
R 55159	F8	37	25-55	R 56760	G2	2	75-2	R 59294	D16	5	25-20
R 55159	F14	37	25-61	R 56760	G3	2	75-3	R 59294	E13	5	25-38
R 55160	E8	36	25-33	R 56934	B3	5	10-12	R 59294	E15	5	25-40
R 55160	E18	36	25-43	R 56934	B4	5	10-13	R 59299	E14	40	25-39
R 55160	F2	36	25-49	R 56962	A22	7	10-9	R 59299	E16	30	25-41
R 55160	F8	37	25-55	R 56963	C9	7	15-16	R 59300	E14	40	25-39
R 55160	F14	37	25-61	R 56979	B3	5	10-12	R 59300	E16	30	25-41
R 55233	B13	21	10-22	R 56979	B4	5	10-13	R 59302	E14	37	25-39
R 55334	G6	9	75-6	R 56989	E9	5	25-34	R 59302	E16	28	25-41
R 55334	G8	9	75-8	R 56989	F3	2	25-50	R 59304	E14	37	25-39
R 55339	G6	3	75-6	R 56989	F15	2	25-62	R 59304	E16	28	25-41
R 55339	G8	3	75-8	R 56990	E9	5	25-34	R 59305	D16	19	25-20
R 55340	G2	4	75-2	R 56990	F3	5	25-50	R 59305	E14	36	25-39
R 55340	G3	4	75-3	R 56990	F15	5	25-62	R 59305	E16	27	25-41
R 55395	A15	20	10-2	R 56994	B22	10	15-6	R 59307	G5	6	75-5
R 55395	B13	9	10-22	R 56994	B23	11	15-7	R 59308	G5	2	75-5
R 55396	A15	8	10-2	R 57137	D13	11	25-16	R 59309	G5	1	75-5
R 55396	E6	26	25-31	R 57258	C22	12	25-2	R 59310	G5	8	75-5
R 55396	E14	31	25-39	R 57258	D1	17	25-3	R 59311	G5	5	75-5
R 55396	E15	22	25-40	R 57258	D2	19	25-4	R 59343	A18	22	10-5
R 55591	G7	27	75-7	R 57556	B12	25	10-21	R 59343	A20	35	10-7
R 55591	G9	27	75-9	R 57584	B2	8	10-11	R 59483	B13	12	10-22
R 55596	B1	1	10-10	R 57599	D15	4A	25-18	R 59642	D20	14	25-24
R 55597	B1	1	10-10	R 57641	E5	12	25-30	R 59849	B7	14	10-16
R 55662	E5	15	25-30	R 57641	E13	18	25-38	R 60272	E4	5	25-29
R 55663	E5	15	25-30	R 57641	E14	33	25-39	R 60272	F6	5	25-53
R 55737	B1	1	10-10	R 57641	E18	58	25-43	R 60272	F18	5	25-65
R 55738	B1	1	10-10	R 57641	F2	58	25-49	R 60273	E4	7	25-29
R 55739	B1	1	10-10	R 57778	B1	2	10-10	R 60273	F6	7	25-53
R 55740	B1	1	10-10	R 57779	B1	3	10-10	R 60273	F18	7	25-65
R 55741	B1	1	10-10	R 57780	B1	3	10-10	R 60274	E4	8	25-29
R 55742	B1	1	10-10	R 57798	E1	7	25-26	R 60274	F6	8	25-53
R 55743	B1	1	10-10	R 57799	E1	6	25-26	R 60274	F18	8	25-65
R 55744	B1	1	10-10	R 57808	E1	13	25-26	R 60274	E4	9	25-29
R 55745	B1	1	10-10	R 57809	E1	4	25-26	R 60275	F6	9	25-53
R 55746	B1	1	10-10	R 57810	E1	5	25-26	R 60275	F18	9	25-65
R 55866	C7	4	15-14	R 57843	C9	6	15-16	R 60276	E4	11	25-29
R 55868	C13	16	20-3	R 57871	D8	16	25-10	R 60276	F6	11	25-53
R 55869	C13	23	20-3	R 58077	E1	7	25-26	R 60276	F18	11	25-65
R 55871	C12	22	20-2	R 58109	B22	4	15-6	R 60277	E4	1	25-29
R 55926	G7	26	75-7	R 58186	D16	19	25-20	R 60277	F6	1	25-53
R 55926	G9	26	75-9	R 58186	E14	36	25-39	R 60277	F18	1	25-65
R 55927	C7	4	15-14	R 58186	E16	27	25-41	R 60278	E4	4	25-29
R 55930	G4	2	75-4	R 58422	D6	22	25-8	R 60278	F6	4	25-53
R 56012	G13	11	85-4	R 58422	D9	28	25-11	R 60278	F18	4	25-65
R 56012	G14	11	85-5	R 58422	D18	22	25-22	R 60278	E4	3	25-29
R 56012	G16	10	85-7	R 58449	A22	5	10-9	R 60279	F6	3	25-53
R 56396	D11	33	25-14	R 58450	F21	48	30-3	R 60279	F18	3	25-65
R 56396	D20	3	25-24	R 58451	F21	48	30-3	R 60280	E4	6	25-29
R 56397	G13	3	85-4	R 58608	E6	23	25-31	R 60280	F6	6	25-53
R 56397	G14	3	85-5	R 58608	E18	54	25-43	R 60280	F18	6	25-65
R 56397	G16	3	85-7	R 58608	F2	54	25-49	R 60281	E4	6	25-29
R 56483	D13	14	25-16	R 58608	F8	55	25-55	R 60281	F6	6	25-53
R 56484	D11	19	25-14	R 58608	F14	55	25-61	R 60281	F18	6	25-65
R 56484	D21	32	25-25	R 58880	B5	8	10-14	R 60282	E4	6	25-29
R 56544	A15	9	10-2	R 58882	B6	8	10-15	R 60282	F6	6	25-53
R 56545	A15	9	10-2	R 59033	B12	25	10-21	R 60282	F18	6	25-65
R 56607	B12	25	10-21	R 59079	D9	36	25-11	R 60283	E4	6	25-29
R 56626	C3	7	15-10	R 59104	D16	6	25-20	R 60283	F6	6	25-53
R 56626	C4	7	15-11	R 59104	E4	12	25-29	R 60283	F18	6	25-65
R 56627	C3	9	15-10	R 59104	E13	6	25-38	R 60284	E4	6	25-29
R 56627	C4	11	15-11	R 59104	E15	6	25-40	R 60284	F6	6	25-53
R 56628	C3	10	15-10	R 59104	F6	13	25-53	R 60284	F18	6	25-65
R 56628	C4	10	15-11	R 59104	F18	13	25-65	R 60285	E4	6	25-29

NUMERICAL INDEX - CONTINUED

PART NO.	GRID	KEY	PAGE	PART NO.	GRID	KEY	PAGE	PART NO.	GRID	KEY	PAGE
R 60285	F6	6	25-53	R 60876	E13	9	25-38	R 61934	G22	25	85-13
R 60285	F18	6	25-65	R 60876	E15	9	25-40	R 62104	E21	5	25-46
R 60286	E4	6	25-29	R 60877	D16	8	25-20	R 62104	F11	5	25-58
R 60286	F6	6	25-53	R 60877	E13	8	25-38	R 62105	E21	4	25-46
R 60286	F18	6	25-65	R 60877	E15	8	25-40	R 62105	F11	4	25-58
R 60287	E4	6	25-29	R 60908	E18	45	25-43	R 62106	E21	1	25-46
R 60287	F6	6	25-53	R 60908	F2	45	25-49	R 62106	F11	1	25-58
R 60287	F18	6	25-65	R 60908	F4	64	25-51	R 62107	E21	2	25-46
R 60288	E4	6	25-29	R 60908	F8	46	25-55	R 62107	F11	2	25-58
R 60288	F6	6	25-53	R 60908	F14	46	25-61	R 62109	B13	14	10-22
R 60288	F18	6	25-65	R 60908	F16	64	25-63	R 62110	B13	12	10-22
R 60289	E4	6	25-29	R 60909	E18	49	25-43	R 62239	B23	12	15-7
R 60289	F6	6	25-53	R 60909	F2	49	25-49	R 62239	B23	20	15-7
R 60289	F18	6	25-65	R 60909	F8	50	25-55	R 62245	D16	10	25-20
R 60290	E4	6	25-29	R 60909	F14	50	25-61	R 62245	E13	10	25-38
R 60290	F6	6	25-53	R 60910	E22	33	25-47	R 62245	E15	10	25-40
R 60290	F18	6	25-65	R 60910	F12	33	25-59	R 62410	A18	8	10-5
R 60291	E4	6	25-29	R 60911	E22	32	25-47	R 62410	A19	7	10-6
R 60291	F6	6	25-53	R 60911	F12	32	25-59	R 62410	B14	1	10-23
R 60291	F18	6	25-65	R 60912	F3	12	25-50	R 62418	B7	7	10-16
R 60292	E4	6	25-29	R 60912	F15	12	25-62	R 62419	B7	8	10-16
R 60292	F6	6	25-53	R 60913	F3	20	25-50	R 62420	B7	8	10-16
R 60292	F18	6	25-65	R 60913	F15	20	25-62	R 62421	B7	6	10-16
R 60293	E4	6	25-29	R 60914	F4	55	25-51	R 62667	G23	6	85-14
R 60293	F6	6	25-53	R 60914	F16	55	25-63	R 62668	G23	8	85-14
R 60293	F18	6	25-65	R 60915	F3	10	25-50	R 62669	G22	11	85-13
R 60294	E4	6	25-29	R 60915	F15	10	25-62	R 62670	G21	10	85-12
R 60294	F6	6	25-53	R 60916	E20	79	25-45	R 62671	G21	13	85-12
R 60294	F18	6	25-65	R 60916	F4	78	25-51	R 62672	G22	3	85-13
R 60295	E4	6	25-29	R 60916	F10	79	25-57	R 62673	G21	32	85-12
R 60295	F6	6	25-53	R 60916	F16	78	25-63	R 62674	G21	2	85-12
R 60295	F18	6	25-65	R 60921	E20	34	25-45	R 62986	B1	6	10-10
R 60296	E4	6	25-29	R 60921	F4	33	25-51	R 62987	B2	7	10-11
R 60296	F6	6	25-53	R 60921	F10	34	25-57	R 62988	B2	7	10-11
R 60296	F18	6	25-65	R 60921	F16	33	25-63	R 63002	B2	7	10-11
R 60297	E4	6	25-29	R 61118	D15	9	25-18	R 63003	B2	7	10-11
R 60297	F6	6	25-53	R 61118	E2	6	25-27	R 63004	B2	7	10-11
R 60297	F18	6	25-65	R 61119	D15	11B	25-18	R 63005	B2	7	10-11
R 60298	E4	6	25-29	R 61119	E2	8	25-27	R 63006	B2	7	10-11
R 60298	F6	6	25-53	R 61120	D15	10B	25-18	R 63007	B2	7	10-11
R 60298	F18	6	25-65	R 61120	E2	7	25-27	R 63008	B2	7	10-11
R 60299	E4	6	25-29	R 61121	D13	6	25-16	R 63009	B2	7	10-11
R 60299	F6	6	25-53	R 61121	E1	3	25-26	R 63010	B1	6	10-10
R 60299	F18	6	25-65	R 61122	D13	4	25-16	R 63054	E21	16	25-46
R 60472	B2	8	10-11	R 61122	E1	1	25-26	R 63054	F11	16	25-58
R 60473	B2	8	10-11	R 61123	D15	4B	25-18	R 63056	E21	17	25-46
R 60474	B2	8	10-11	R 61123	E2	1	25-27	R 63056	F11	17	25-58
R 60475	B2	8	10-11	R 61124	D13	5	25-16	R 63057	E21	15	25-46
R 60476	B1	3	10-10	R 61124	E1	2	25-26	R 63057	F11	15	25-58
R 60477	B1	3	10-10	R 61128	C18	3	20-8	R 63058	E21	12	25-46
R 60478	B1	3	10-10	R 61144	D16	19	25-20	R 63058	F11	12	25-58
R 60479	B1	3	10-10	R 61144	E14	36	25-39	R 63059	E21	10	25-46
R 60480	B1	3	10-10	R 61144	E16	27	25-41	R 63059	F11	10	25-58
R 60481	B1	3	10-10	R 61146	E14	40	25-39	R 63060	E21	9	25-46
R 60482	B1	3	10-10	R 61146	E16	30	25-41	R 63060	F11	9	25-58
R 60483	B1	3	10-10	R 61147	E14	37	25-39	R 63061	E21	8	25-46
R 60484	B1	2	10-10	R 61147	E16	28	25-41	R 63061	F11	8	25-58
R 60650	B9	3	10-18	R 61150	B11	2	10-20	R 63062	E21	7	25-46
R 60710	D8	14	25-10	R 61289	B2	8	10-11	R 63062	F11	7	25-58
R 60711	D8	18	25-10	R 61497	C10	1	15-17	R 63063	E21	6	25-46
R 60712	D8	22	25-10	R 61521	B7	14	10-16	R 63063	F11	6	25-58
R 60713	D8	21	25-10	R 61608	B2	8	10-11	R 63064	E21	18	25-46
R 60714	D9	29	25-11	R 61609	B2	8	10-11	R 63064	F11	18	25-58
R 60754	B12	20	10-21	R 61610	B2	8	10-11	R 63065	E17	4	25-42
R 60824	F16	49	25-63	R 61611	B2	8	10-11	R 63065	F1	4	25-48
R 60863	D3	4	25-5	R 61932	G22	22	85-13	R 63065	F7	4	25-54
R 60876	D16	9	25-20	R 61933	G22	14	85-13	R 63065	F13	4	25-60

NUMERICAL INDEX - CONTINUED

PART NO.	GRID	KEY	PAGE	PART NO.	GRID	KEY	PAGE	PART NO.	GRID	KEY	PAGE
R 63118	C4	1	15-11	T 11887	D13	21	25-16	T 12637	A22	6	10-9
R 63119	C4	15	15-11	T 11888	D13	20	25-16	T 15539	B1	5	10-10
R 63120	C4	18	15-11	T 11891	D13	22	25-16	T 15710	D11	22	25-14
R 63121	C4	19	15-11	T 11891	E1	19	25-26	T 15710	D20	2	25-24
R 63122	C4	20	15-11	T 11899	D7	39	25-9	T 15712	D7	34	25-9
R 63123	C4	17	15-11	T 11899	D9	45	25-11	T 15712	D9	40	25-11
R 63124	C4	21	15-11	T 11899	D19	39	25-23	T 15712	D19	34	25-23
R 63125	C4	22	15-11	T 11906	D19	27	25-23	T 15715	D10	4	25-12
R 63126	C4	13	15-11	T 11911	D6	19	25-8	T 15720	D7	32	25-9
R 63127	C4	12	15-11	T 11911	D8	25	25-10	T 15720	D9	38	25-11
R 63128	C4	5	15-11	T 11911	D18	19	25-22	T 15720	D19	32	25-23
R 63129	B19	2	15-3	T 11913	D6	17	25-8	T 15721	D10	2	25-12
R 63271	C10	1	15-17	T 11913	D18	17	25-22	T 17117	D11	15	25-14
R 63345	E1	8	25-26	T 11914	D6	18	25-8	T 17117	D12	35	25-15
R 63757	D20	4	25-24	T 11914	D18	18	25-22	T 17117	D20	28	25-24
R 63758	D20	4	25-24	T 11915	D7	31	25-9	T 17119	D11	25	25-14
R 63975	E1	9	25-26	T 11915	D9	37	25-11	T 17122	D11	16	25-14
R 64305	E1	12	25-26	T 11915	D11	17	25-14	T 17122	D12	37	25-15
R 64306	E1	12	25-26	T 11915	D12	38	25-15	T 17122	D20	29	25-24
R 64307	E1	12	25-26	T 11915	D19	31	25-23	T 17124	D12	36	25-15
R 64308	E1	12	25-26	T 11915	D20	30	25-24	T 17135	D11	21	25-14
R 64309	D20	5	25-24	T 11917	D6	6	25-8	T 17135	D21	34	25-25
R 64310	D21	35	25-25	T 11917	D8	6	25-10	T 17144	D20	4	25-24
R 64311	D18	23	25-22	T 11917	D18	6	25-22	T 17949	D6	3	25-8
R 65055	B12	6	10-21	T 11918	D10	14	25-12	T 17949	D8	3	25-10
	T			T 11919	D10	13	25-12	T 17949	D18	3	25-22
				T 11920	D6	9	25-8	T 17950	D6	2	25-8
				T 11920	D8	9	25-10	T 17950	D8	2	25-10
				T 11920	D18	9	25-22	T 17950	D18	2	25-22
T 738 T	G19	18	85-10	T 11921	D6	10	25-8	T 17951	D7	37	25-9
T 738 T	G22	19	85-13	T 11921	D8	10	25-10	T 17951	D9	43	25-11
T 10745	G13	8	85-4	T 11921	D18	10	25-22	T 17951	D19	37	25-23
T 10745	G14	8	85-5	T 11923	D7	42	25-9	T 17952	D6	15	25-8
T 10745	G15	16	85-6	T 11923	D19	42	25-23	T 17952	D18	15	25-22
T 10745	G16	8	85-7	T 11924	D6	16	25-8	T 18012	E13	15	25-38
T 11049	F20	6	30-2	T 11924	D18	16	25-22	T 18105	G20	9	85-11
T 11050	F20	7	30-2	T 11925	D6	26	25-8	T 18106	G20	16	85-11
T 11076	F21	41	30-3	T 11925	D9	32	25-11	T 18106	G23	13	85-14
T 11077	F21	35	30-3	T 11925	D18	26	25-22	T 18107	G20	12	85-11
T 11079	F20	20	30-2	T 11926	D13	12	25-16	T 18107	G23	9	85-14
T 11080	F21	34	30-3	T 11926	E1	9	25-26	T 18110	G20	2	85-11
T 11081	F21	33	30-3	T 11927	D6	24	25-8	T 18110	G23	2	85-14
T 11082	F20	21	30-2	T 11927	D9	30	25-11	T 19607	G20	22	85-11
T 11083	F20	19	30-2	T 11927	D18	24	25-22	T 19859	D6	1	25-8
T 11084	F20	22	30-2	T 11929	D6	11	25-8	T 19859	D8	1	25-10
T 11739	G19	22	85-10	T 11929	D7	29	25-9	T 19859	D18	1	25-22
T 11743	G18	1	85-9	T 11929	D8	11	25-10	T 19860	D6	5	25-8
T 11743	G21	1	85-12	T 11929	D9	35	25-11	T 19860	D8	5	25-10
T 11812	F21	42	30-3	T 11929	D18	11	25-22	T 19860	D18	5	25-22
T 11875	D11	9	25-14	T 11929	D19	29	25-23	T 19861	D6	7	25-8
T 11875	D20	22	25-24	T 11930	D12	39	25-15	T 19861	D8	7	25-10
T 11876	D11	10	25-14	T 11930	D20	7	25-24	T 19861	D18	7	25-22
T 11876	D20	23	25-24	T 11932	D7	28	25-9	T 19909	G18	29	85-9
T 11877	D7	40	25-9	T 11932	D9	34	25-11	T 19909	G21	22	85-12
T 11877	D9	46	25-11	T 11932	D19	28	25-23	T 19977	D10	7	25-12
T 11877	D10	1	25-12	T 11935	D10	17	25-12	T 20077	B9	14	10-18
T 11877	D11	14	25-14	T 11936	D10	12	25-12	T 20129	B9	13	10-18
T 11877	D19	40	25-23	T 11937	D10	15	25-12	T 20294	A21	11	10-8
T 11877	D20	27	25-24	T 11938	D10	10	25-12	T 20294	B8	8	10-17
T 11878	D12	40	25-15	T 11943	D7	41	25-9	T 20328	A18	15	10-5
T 11878	D20	8	25-24	T 11943	D8	17	25-10	T 20328	A20	38	10-7
T 11882	D11	12	25-14	T 11943	D19	41	25-23	T 20328	A21	10	10-8
T 11882	D20	25	25-24	T 11945	E1	12	25-26	T 20328	B8	7	10-17
T 11883	D11	11	25-14	T 11946	E1	12	25-26	T 23425	D16	3	25-20
T 11883	D20	24	25-24	T 11947	E1	12	25-26	T 23425	E13	3	25-38
T 11886	D13	15	25-16	T 11948	E1	12	25-26	T 23425	E15	3	25-40
T 11886	E1	14	25-26	T 12637	A22	1	10-9	T 24223	E22	43	25-47

NUMERICAL INDEX - CONTINUED

PART NO.	GRID	KEY	PAGE	PART NO.	GRID	KEY	PAGE	PART NO.	GRID	KEY	PAGE
T 24223	F12	43	25-59	T 25360	G17	21	85-8				
T 24224	E7	20	25-32	T 26041	G17	4	85-8				
T 24224	E10	76	25-35	T 26223	D13	8	25-16				
T 24224	E17	19	25-42	T 26236	D13	2	25-16				
T 24224	E20	55	25-45	T 26256	D8	19	25-10				
T 24224	F1	19	25-48	T 30367	D2	15	25-4				
T 24224	F4	54	25-51	T 30738	C21	1	25-1				
T 24224	F8	20	25-55	T 30738	C22	7	25-2				
T 24224	F10	55	25-57	T 31124	D13	19	25-16				
T 24224	F14	20	25-61	T 31125	D13	19	25-16				
T 24224	F16	54	25-63	T 31126	D13	19	25-16				
T 24229	E8	27	25-33	T 31127	D13	19	25-16				
T 24229	E9	6	25-34	T 31128	D13	19	25-16				
T 24229	E10	38	25-35	T 31508	E18	59	25-43				
T 24229	E10	60	25-35	T 31508	F2	59	25-49				
T 24229	E17	26	25-42	T 31508	F8	60	25-55				
T 24229	E19	3	25-44	T 31508	F14	60	25-61				
T 24229	E20	36	25-45	T 31556	E8	26	25-33				
T 24229	E20	52	25-45	T 31556	E9	3	25-34				
T 24229	E21	23	25-46	T 31556	E10	63	25-35				
T 24229	E22	35	25-47	T 31556	E17	27	25-42				
T 24229	F1	26	25-48	T 31556	E19	7	25-44				
T 24229	F3	3	25-50	T 31556	E20	70	25-45				
T 24229	F4	35	25-51	T 31556	E22	39	25-47				
T 24229	F4	51	25-51	T 31556	F1	27	25-48				
T 24229	F8	27	25-55	T 31556	F3	8	25-50				
T 24229	F9	3	25-56	T 31556	F4	69	25-51				
T 24229	F10	36	25-57	T 31556	F8	28	25-55				
T 24229	F10	52	25-57	T 31556	F9	7	25-56				
T 24229	F11	23	25-58	T 31556	F10	70	25-57				
T 24229	F12	35	25-59	T 31556	F12	39	25-59				
T 24229	F14	27	25-61	T 31556	F14	28	25-61				
T 24229	F15	3	25-62	T 31556	F15	8	25-62				
T 24229	F16	35	25-63	T 31556	F16	69	25-63				
T 24229	F16	51	25-63	T 31575	E9	2	25-34				
T 24282	E10	72	25-35	T 31575	E9	4	25-34				
T 24282	E20	60	25-45	T 31575	E10	67	25-35				
T 24282	F4	59	25-51	T 31575	E19	5	25-44				
T 24282	F10	60	25-57	T 31575	E20	66	25-45				
T 24282	F16	59	25-63	T 31575	E21	21	25-46				
T 24295	E9	7	25-34	T 31575	F3	6	25-50				
T 24295	E19	4	25-44	T 31575	F3	7	25-50				
T 24295	F3	4	25-50	T 31575	F4	65	25-51				
T 24295	F9	4	25-56	T 31575	F9	5	25-56				
T 24295	F15	4	25-62	T 31575	F10	66	25-57				
T 25118	E10	69	25-35	T 31575	F11	21	25-58				
T 25118	E20	63	25-45	T 31575	F15	6	25-62				
T 25118	F4	62	25-51	T 31575	F15	7	25-62				
T 25118	F10	63	25-57	T 31575	F16	65	25-63				
T 25118	F16	62	25-63	T 32330	E22	45	25-47				
T 25343	G17	5	85-8	T 32330	F12	45	25-59				
T 25344	G17	10	85-8	T 39881	G17	5	85-8				
T 25345	G17	11	85-8	T 43032	G16	9	85-7				
T 25346	G17	12	85-8	T 43032	G17	3	85-8				
T 25347	G17	18	85-8								
T 25348	G17	19	85-8								
T 25349	G17	28	85-8								
T 25350	G17	17	85-8								
T 25351	G17	27	85-8	U 13639	B12	14	10-21				
T 25352	G17	16	85-8	U 17409	B12	9	10-21				
T 25353	G17	37	85-8	U 17409	B13	17	10-22				
T 25354	G17	43	85-8	U 40750	B13	6	10-22				
T 25355	G17	42	85-8	U 45538	E14	35	25-39				
T 25356	G17	22	85-8	U 45538	E16	26	25-41				
T 25357	G17	25	85-8	U 45538	F8	59	25-55				
T 25358	G17	26	85-8	U 45538	F14	59	25-61				
T 25359	G17	29	85-8								