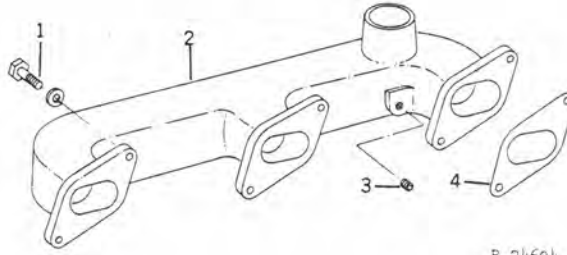


INTAKE MANIFOLD  
(6404D)

R24604

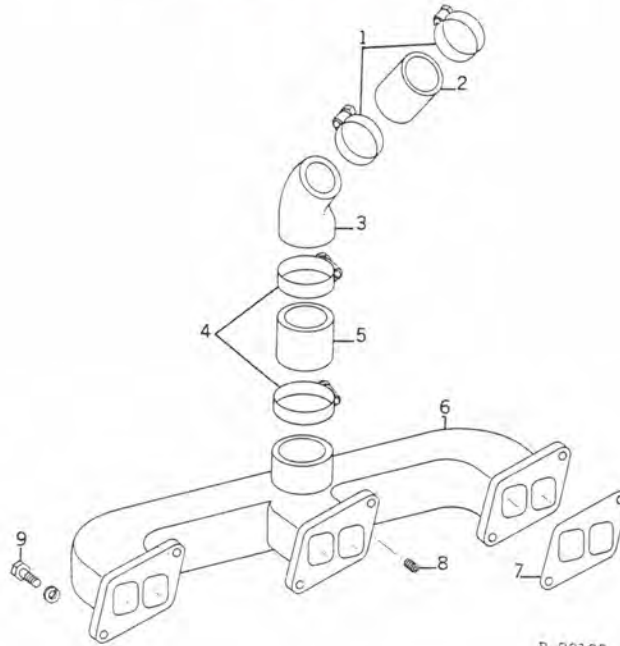


R 24604

KEY	PART NO.	ENGINE SERIAL NO.	DESCRIPTION
1	19H 1732	( - )	SCREW, CAP, 3/8" X 1-1/4" (6 USED)
	12H 304	( - )	WASHER, LOCK, 3/8" (6 USED)
2	R 46411	( - )	MANIFOLD, INTAKE
3	15H 571	( - )	PLUG, PIPE, HEX. CTSK., 3/8" (TRACTORS LESS STARTING AID)
4	R 26297	( - )	GASKET, INTAKE MANIFOLD (3 USED)

INTAKE MANIFOLD  
(6404T)  
(ENGINE SERIAL NO. -512305)

R20195

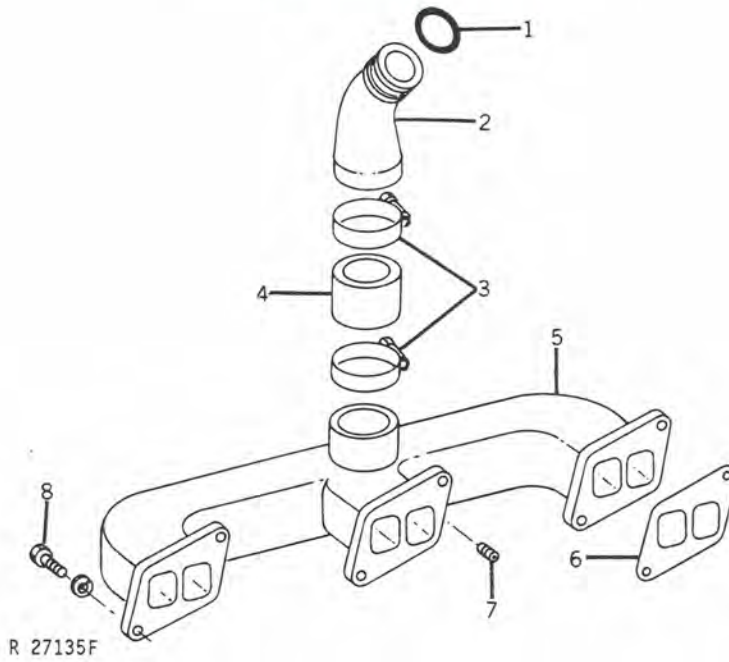


R 20195

KEY	PART NO.	ENGINE SERIAL NO.	DESCRIPTION
1	AR 65293	( - )	CLAMP, HOSE (2 USED)
2	R 43604	( - )	HOSE
3	R 47293	( - )	PIPE, AIR INLET
4	AR 62936	( - )	CLAMP, HOSE (2 USED) (SUB. FOR AR48502)
5	R 43605	( - )	HOSE
6	R 52288	( - )	MANIFOLD, INTAKE
7	R 50397	( - )	GASKET (3 USED)
8	15H 571	( - )	PLUG, PIPE, HEX. CTSK., 3/8"
9	19H 1732	( - )	SCREW, CAP, 3/8" X 1-1/4" (6 USED)
	12H 304	( - )	WASHER, LOCK, 3/8" (6 USED)

INTAKE MANIFOLD  
(ENGINE SERIAL NO. 512306- )

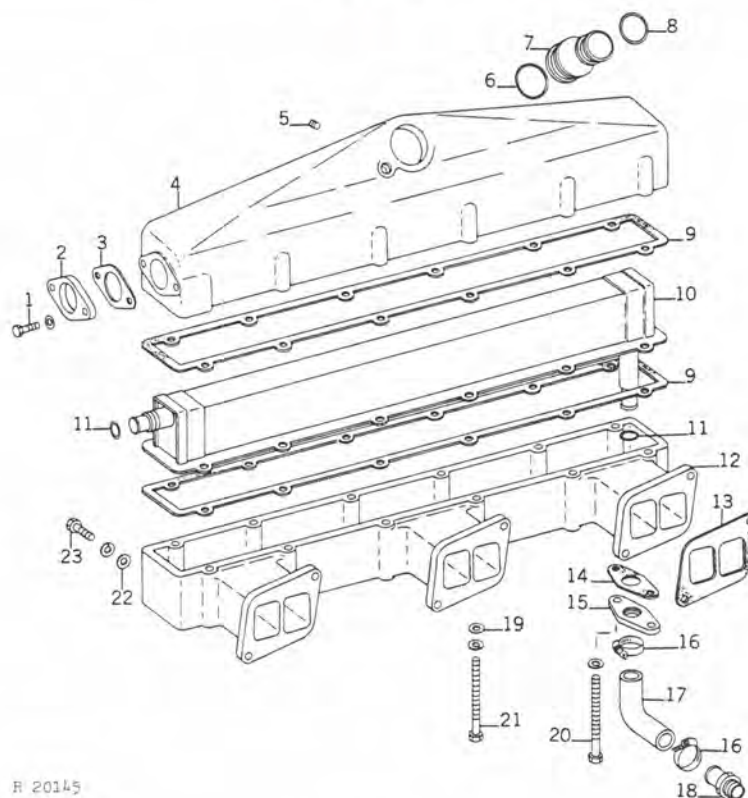
R27135F



KEY	PART NO.	ENGINE SERIAL NO.	DESCRIPTION
I 1	R 50406	( - )	O-RING
I 2	R 63129	( - )	COUPLING, AIR INTAKE
I 3	AR 62936	( - )	CLAMP, HOSE (2 USED)
I 4	R 43605	( - )	HOSE, 3" X 2" (76MM X 51MM)
I 5	R 52288	( - )	MANIFOLD, INTAKE
I 6	R 50397	( - )	GASKET (3 USED)
I 7	15H 571	( - )	PLUG, PIPE, HEX. CTSK., 3/8"
I 8	19H 1732	( - )	SCREW, CAP, 3/8" X 1-1/4" (6 USED)
I 9	12H 304	( - )	WASHER, LOCK, 3/8" (6 USED)

**INTERCOOLER AND INTAKE MANIFOLD  
(6404A)**

R20145

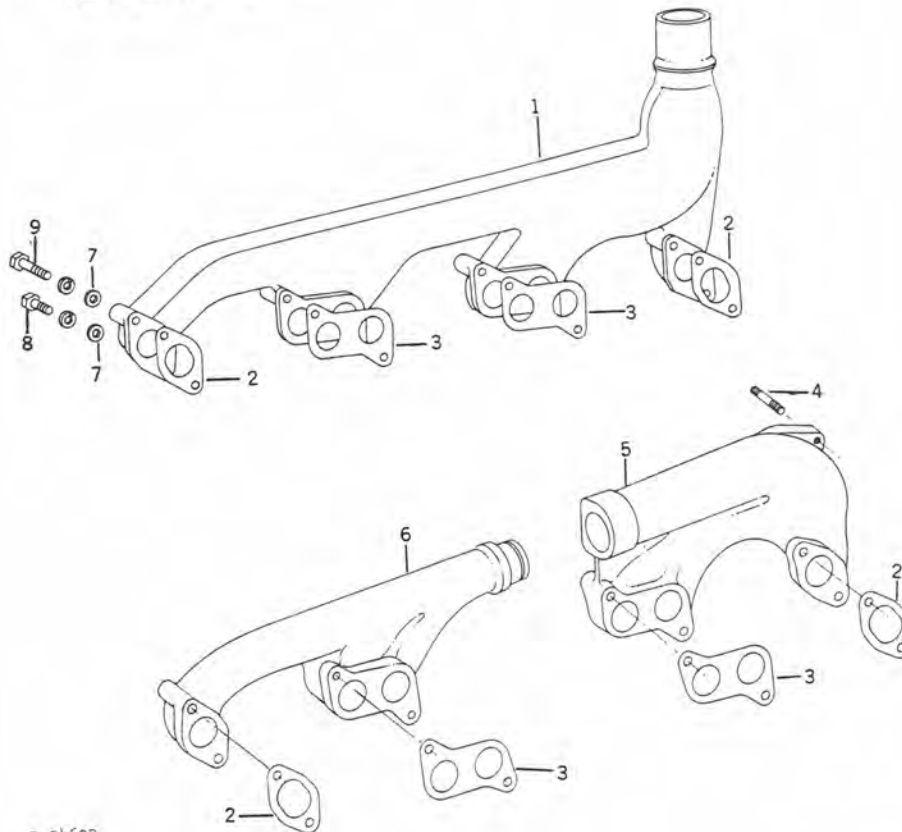


R 20145

KEY	PART NO.	ENGINE SERIAL NO.	DESCRIPTION
1	19H 2661 12H 303	( - )	SCREW, CAP, 5/16" X 1-3/8" (2 USED)
2	R 47314	( - )	WASHER, LOCK, 5/16" (2 USED)
3	R 47395	( - )	ADAPTER, REAR
4	R 50398	( - )	GASKET
5	15H 571	( - )	COVER, INTAKE MANIFOLD
6	R 50405	( - )	PLUG, PIPE, 3/8"
7	R 50404	( - )	O-RING
8	R 50406	( - )	COUPLING
9	R 50399	( - )	O-RING
10	AR 54556	( - )	GASKET (2 USED)
11	R 52811	( - )	INTERCOOLER
12	R 50396	( - )	O-RING (2 USED)
13	R 50397	( - )	MANIFOLD, INTAKE
14	R 47395	( - )	GASKET (3 USED)
15	R 50400	( - )	GASKET
16	AR 21839	( - )	ADAPTER, FRONT
17	R 50402	( - )	CLAMP, HOSE (2 USED)
18	R 48362	( - )	HOSE
19	24H 1136	( - )	CONNECTOR, SPECIAL
20	19H 2729	( - )	WASHER, 11/32" X 11/16" X .060" (10 USED)
21	12H 303	( - )	SCREW, CAP, 5/16" X 4-1/4" (2 USED)
22	19H 2852	( - )	WASHER, LOCK, 5/16" (2 USED)
23	12H 303	( - )	SCREW, CAP, 5/16" X 4" (10 USED)
	24H 1302	( - )	WASHER, LOCK, 5/16" (10 USED)
	19H 1800	( - )	WASHER, 13/32" X 11/16" X .036" (6 USED)
	12H 304	( - )	SCREW, CAP, 3/8" X 1-1/2" (6 USED)
		( - )	WASHER, LOCK, 3/8" (6 USED)

**EXHAUST MANIFOLD**  
 (6404D)  
**CODE 2803 EXHAUST MANIFOLD, FRONT VERTICAL**  
**CODE 2806 EXHAUST MANIFOLD, FRONT WITH SIDE OUTLET**

R24603

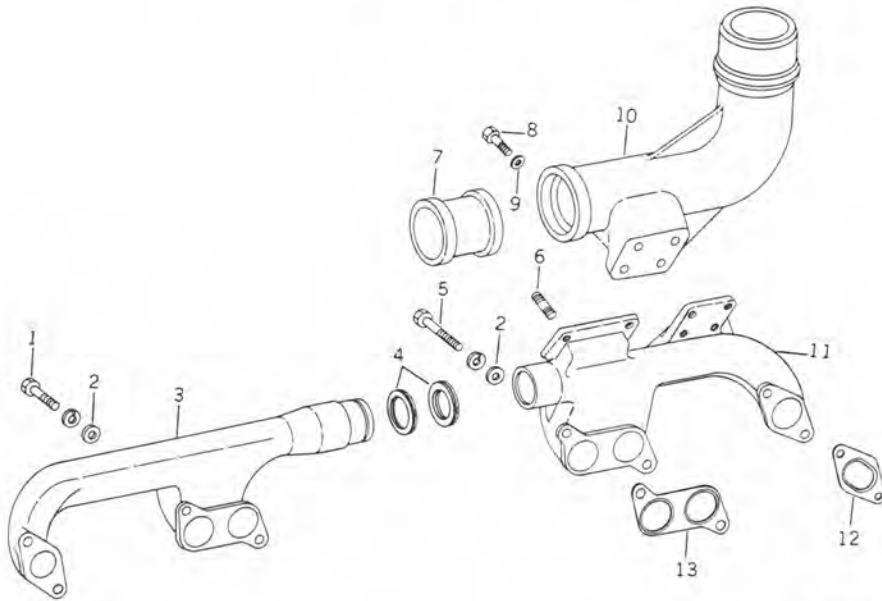


R 24603

KEY	PART NO.	ENGINE SERIAL NO.	CODE	DESCRIPTION
1	R 26362	-	2803	MANIFOLD, EXHAUST
2	R 44374	-		GASKET, EXHAUST MANIFOLD, OUTER (2 USED)
3	R 44373	-		GASKET, EXHAUST MANIFOLD, INNER (2 USED)
4	R 699 R	-	2806	STUD, 3/8" X 2-1/2" (3 USED)
5	R 54412	-	2806	MANIFOLD, EXHAUST, FRONT
6	R 43167	-	2806	MANIFOLD, EXHAUST, REAR
7	24H 1303	-		WASHER, 13/32" X 11/16" X .060" (8 USED)
8	19H 1765	-		SCREW, CAP, 3/8" X 1-3/4" (4 USED)
9	12H 304	-		WASHER, LOCK, 3/8" (4 USED)
	19H 2128	-		SCREW, CAP, 3/8" X 3" (4 USED)
	12H 304	-		WASHER, LOCK, 3/8" (4 USED)

EXHAUST MANIFOLD  
(6404A, T)

R24718

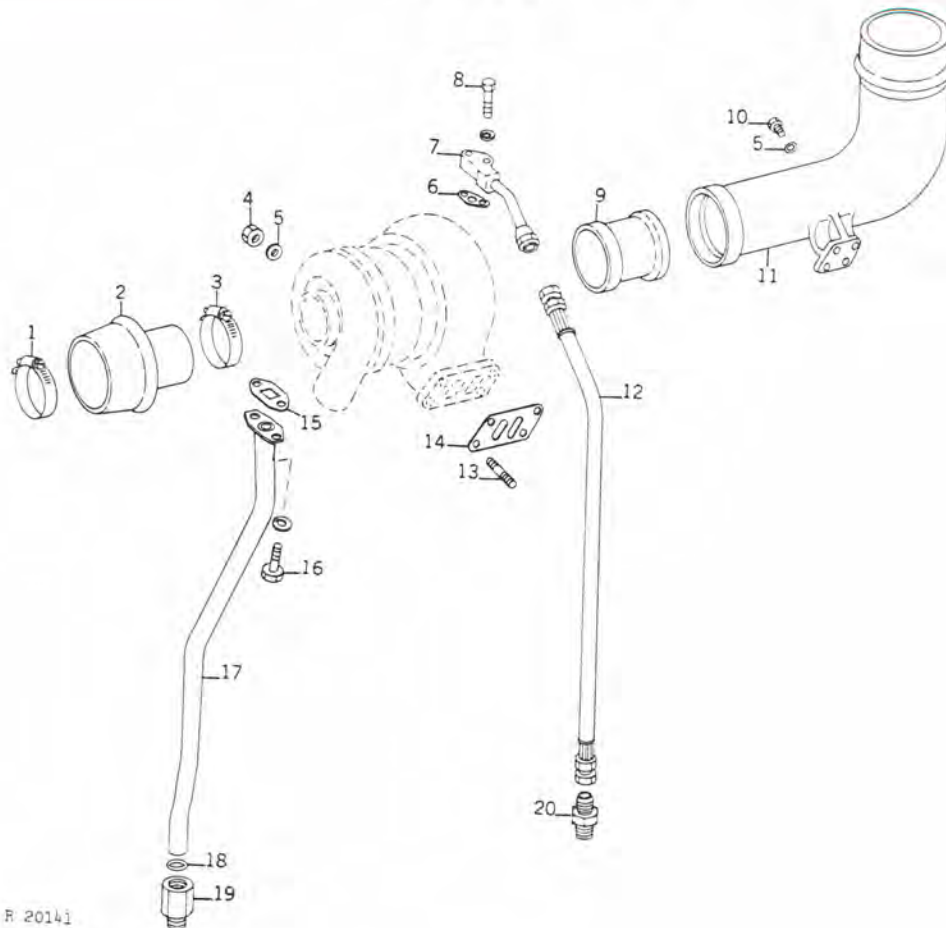


R 24718

KEY	PART NO.	ENGINE SERIAL NO.	DESCRIPTION
1	19H 1765	-	) SCREW, CAP, 3/8" X 1-3/4" (3 USED)
	19H 2549	-	
	12H 304	-	
2	24H 1303	-	) SCREW, CAP, 3/8" X 1-7/8" (LOWER FRONT)
3	R 46472	-	
4	R 58109	-	) WASHER, LOCK, 3/8" (4 USED)
5	19H 2128	-	
	19H 2639	-	) WASHER, 13/32" X 11/16" X .060" (8 USED)
	28H 1518	-	
	12H 304	-	) MANIFOLD, EXHAUST, REAR
6	R 55078	-	
7	R 43724	-	) RING, SEALING (2 USED)
8	R 54500	-	
9	24H 1303	-	) SCREW, CAP, 3/8" X 3" (3 USED)
10	R 56994	-	
11	AR 54563	-	) SCREW, CAP, 3/8" X 3-3/8" (UPPER FRONT)
12	R 44374	-	
13	R 44373	-	) SPACER, 3/8" X 5/16" (UPPER FRONT)
		-	
		-	) WASHER, LOCK, 3/8" (4 USED)
		-	
		-	) STUD, 3/8" X 1-1/2" (4 USED)
		-	
		-	) ADAPTER, EXHAUST ELBOW
		-	
		-	) SCREW, SPECIAL CAP (4 USED)
		-	
		-	) WASHER, 13/32" X 11/16" X .060" (4 USED)
		-	
		-	) ELBOW, EXHAUST
		-	
		-	) MANIFOLD, EXHAUST, FRONT
		-	
		-	) GASKET, EXHAUST MANIFOLD, OUTER (2 USED)
		-	
		-	) GASKET, EXHAUST MANIFOLD, INNER (2 USED)
		-	

TURBOCHARGER OIL AND AIR PIPES  
(6404A, T)

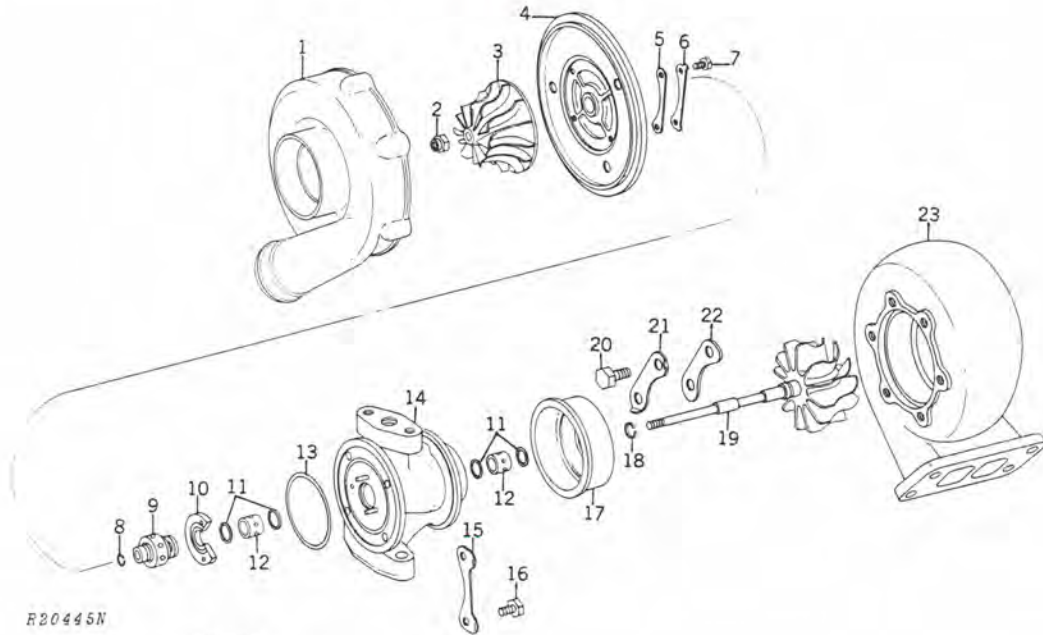
R20141



KEY	PART NO.	ENGINE SERIAL NO.	DESCRIPTION
1	AR 21842	( - )	CLAMP, HOSE
2	R 46627	( - )	HOSE
3	AR 21841	( - )	CLAMP, HOSE
4	14H 812	( - )	NUT, 3/8" (4 USED)
5	24H 1303	( - )	WASHER, 13/32" X 11/16" X .060" (8 USED)
6	R 43413	( - )	GASKET
7	AR 61590	( - )	LINE, OIL INLET, WITH ADAPTER
8	19H 1906	( - )	SCREW, CAP, 5/16" X 1-1/2" (2 USED)
	12H 303	( - )	WASHER, LOCK, 5/16" (2 USED)
9	R 43724	( - )	ADAPTER, EXHAUST ELBOW
10	R 54500	( - )	SCREW, SPECIAL CAP (4 USED)
11	R 56994	( - )	ELBOW, EXHAUST (SUB. FOR R50392)
12	AR 54576	( XXXXX - XXXXX )	LINE, FLEXIBLE OIL, INLET (SUB. AR76424 AND R62239)
	AR 76424	( XXXXX - )	LINE, FLEXIBLE OIL, INLET
13	R 55078	( - )	STUD, 3/8" X 1-1/2" (4 USED) (SUB. FOR R43170)
14	R 43751	( - )	GASKET
15	R 43416	( - )	GASKET
16	19H 2284	( - )	SCREW, CAP, 3/8" X 7/8" (2 USED)
	12H 304	( - )	WASHER, LOCK, 3/8" (2 USED)
17	AR 54577	( - 507161 )	PIPE, OIL OUTLET WITH ADAPTER (6404A)
	AR 54577	( - XXXXX )	PIPE, OIL OUTLET WITH ADAPTER (6404T)
	AR 73815	( 507162 - XXXXX )	PIPE, OIL OUTLET WITH ADAPTER (6404A)
	AR 73815	( XXXXX - )	PIPE, OIL OUTLET WITH ADAPTER (6404T)
18	R 43780	( - )	O-RING
19	R 41285	( - )	CONNECTOR, 1/2"-14
20	R 52775	( - XXXXX )	ADAPTER
	R 62239	( XXXXX - )	CONNECTOR, 5/8"-18 X 3/4"-14

**TURBOCHARGER  
(AIRESEARCH)  
(6404A, T)  
(ENGINE SERIAL NO. -512305)**

R20445N



R20445N

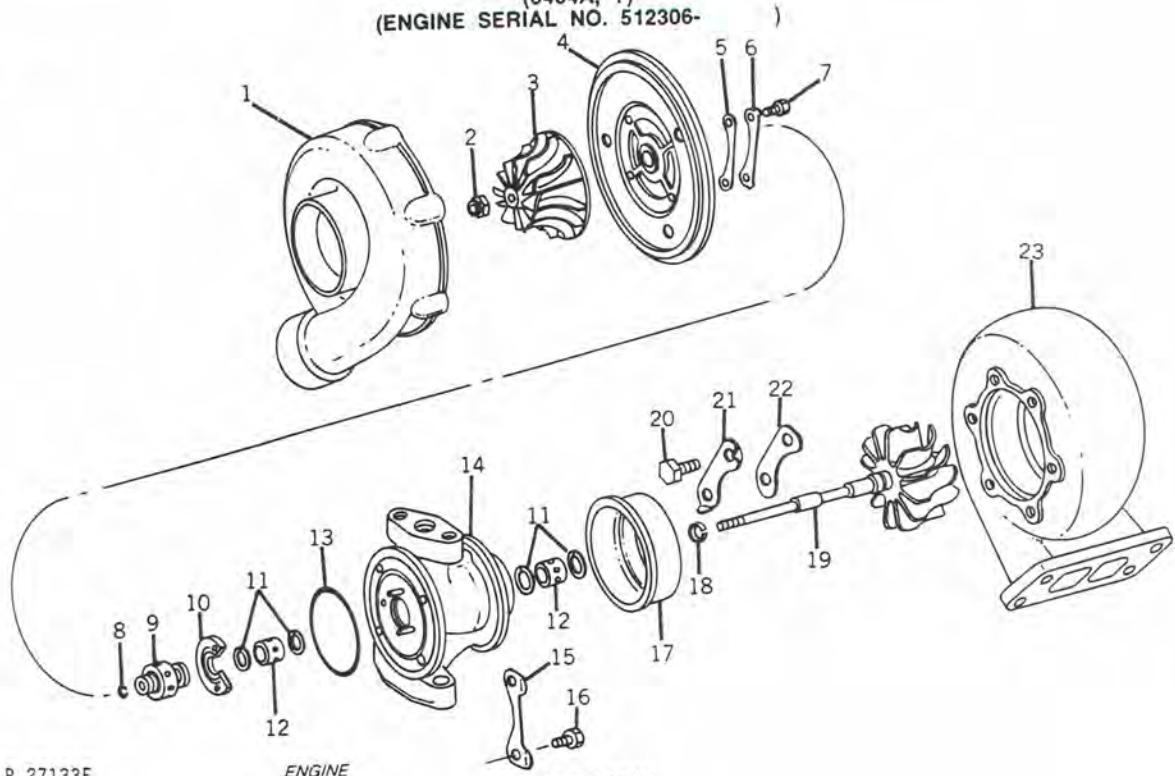
KEY	PART NO.	ENGINE SERIAL NO.	DESCRIPTION
1	R 55027	( - )	HOUSING, COMPRESSOR (6404A)
	R 55026	( - )	HOUSING, COMPRESSOR (6404T)
2	R 43817	* ( - )	NUT, LOCK
3	R 55025	* ( - )	IMPELLER
4	AR 54934	* ( - )	BACKPLATE ASSEMBLY
5	R 48709	( - )	CLAMP (3 USED)
6	R 48710	( - )	PLATE, LOCK (3 USED)
7	19H 2020	( - )	SCREW, CAP, 5/16" X 1/2" (6 USED)
8	R 43806	* ( - )	RING, PISTON
9	R 43801	* ( - )	COLLAR, THRUST
10	R 43808	* ( - )	BEARING
11	R 43816	* ( - )	RING, RETAINING (4 USED)
12	R 43803	* ( - )	BEARING (2 USED)
	R 50784	( - )	BEARING, .005" (0.13MM) UNDERSIZE (2 USED)
	R 50785	( - )	BEARING, .010" (0.25MM) UNDERSIZE (2 USED)
13	R 43805	* ( - )	O-RING
14	AR 63781	( - )	HOUSING, CENTER ASSEMBLY
	AR 63780	( - )	HOUSING, CENTER, WITH ROTATING PARTS (CONSISTS OF PARTS MARKED WITH AN ASTERISK)
15	R 43986	( - )	PLATE, LOCK (2 USED)
16	19H 1919	( - )	SCREW, CAP, 1/4" X 5/8" (4 USED)
17	R 43804	* ( - )	SHROUD, WHEEL
18	R 55024	* ( - )	RING, PISTON
19	AR 51988	* ( - )	WHEEL, TURBINE, WITH SHAFT
20	R 43819	( - )	BOLT, SPECIAL (6 USED)
21	R 43815	( - )	PLATE, LOCK (3 USED)
22	R 43821	( - )	CLAMP (3 USED)
23	R 55028	( - )	HOUSING, TURBINE (6404A)
	R 48712	( - )	HOUSING, TURBINE (6404T)
..	AR 63699	( - )	TURBOCHARGER, COMPLETE (6404A)
..	AR 70987	( - )	TURBOCHARGER, COMPLETE (6404T) (SUB. FOR AR63698)

\* SEE KEY 14



**TURBOCHARGER  
(AIRESEARCH)  
(6404A, T)  
(ENGINE SERIAL NO. 512306- )**

R27133F

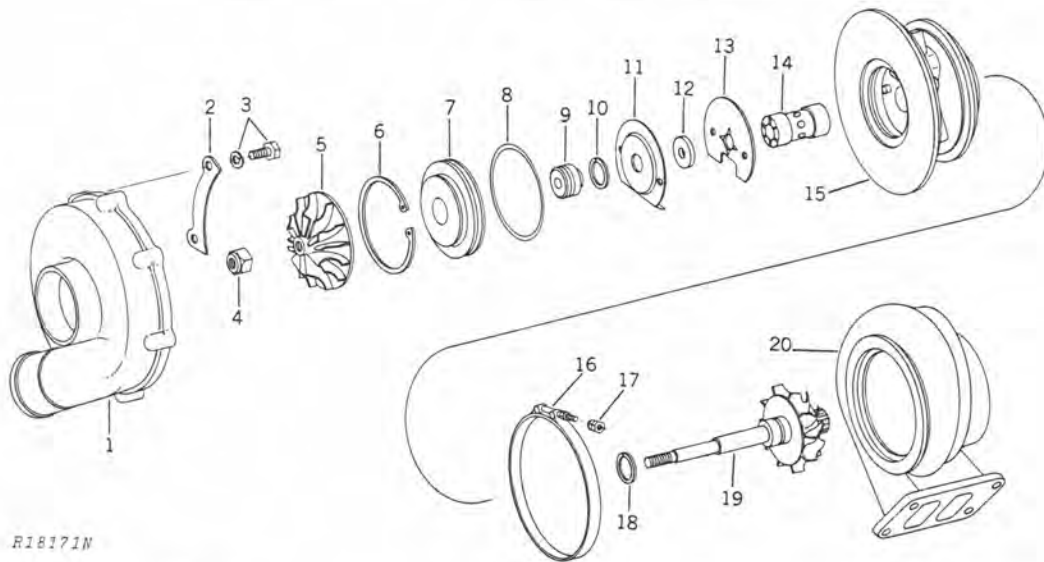


KEY	R 27133F PART NO	ENGINE SERIAL NO.	DESCRIPTION
1	R 55027	-	HOUSING, COMPRESSOR
2	R 43817	*	NUT, LOCK
3	R 55025	*	IMPELLER
4	AR 54934	*	BACKPLATE ASSEMBLY
5	R 48709	-	CLAMP (3 USED)
6	R 48710	-	PLATE, LOCK (3 USED)
7	19H 2020	-	SCREW, CAP, 5/16" X 1/2" (6 USED)
8	R 43806	*	RING, PISTON
9	R 43801	*	COLLAR, THRUST
10	R 43808	*	BEARING
11	R 43816	*	RING, RETAINING (4 USED)
12	R 43803	*	BEARING (2 USED)
	R 50784	-	BEARING, .005" (0.13 MM) UNDERSIZE (2 USED)
	R 50785	-	BEARING, .010" (0.25 MM) UNDERSIZE (2 USED)
13	R 43805	*	O-RING
14	AR 63781	-	HOUSING, CENTER ASSEMBLY
	AR 63780	-	HOUSING, CENTER, WITH ROTATING PARTS (CONSISTS OF PARTS MARKED WITH AN ASTERISK)
15	R 43986	-	PLATE, LOCK (2 USED)
16	19H 1919	-	SCREW, CAP, 1/4" X 5/8" (4 USED)
17	R 43804	*	SHROUD, WHEEL
18	R 55024	*	RING, PISTON
19	AR 51988	*	WHEEL, TURBINE, WITH SHAFT
20	R 43819	-	BOLT, SPECIAL (6 USED)
21	R 43815	-	PLATE, LOCK (3 USED)
22	R 43821	-	CLAMP (3 USED)
23	R 55028	-	HOUSING, TURBINE
	AR 63699	-	TURBOCHARGER, COMPLETE

\* SEE KEY 14

**TURBOCHARGER  
(SCHWITZER)  
(6404A, T)  
(ENGINE SERIAL NO. -512305)**

R18171

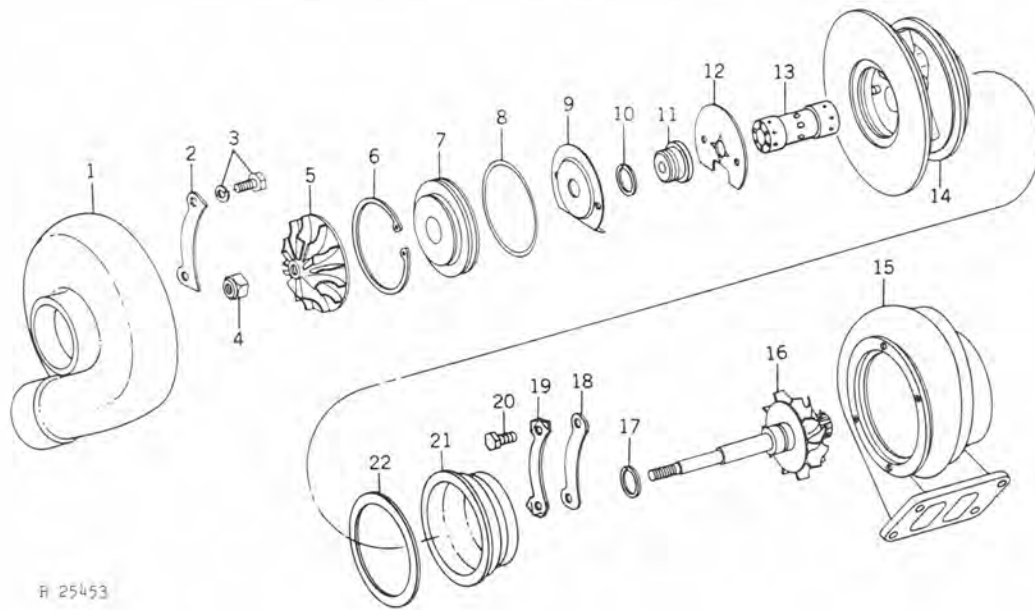


R18171N

KEY	PART NO.	ENGINE SERIAL NO.	DESCRIPTION
1	R 55030	-	) COVER, COMPRESSOR (6404A)
	R 54176	-	
2	R 46693	-	
3	R 56630	-	
		-	
		-	) PLATE, CLAMP (4 USED)
		-	) SCREW WITH LOCKWASHER (8 USED) (ALSO ORDER R56631 WASHER) (SUB. FOR AR43976)
4	R 46691	*	) NUT, LOCK
5	R 54177	*	) WHEEL, COMPRESSOR (6404T)
	R 55029	*	
6	R 46686	*	) WHEEL, COMPRESSOR (6404A)
7	R 46687	*	) RING, SNAP
	R 56626	*	) INSERT (SCHWITZER SERIAL NO. PRIOR TO L1872-1)
8	R 46685	*	) INSERT (SCHWITZER SERIAL NO. L1872-1 AND UP)
9	R 46689	*	) O-RING
	R 56627	*	) SLEEVE, SPACER (SCHWITZER SERIAL NO. PRIOR TO L1872-1)
10	R 46688	*	) SLEEVE, FINGER (SCHWITZER SERIAL NO. L1872-1 AND UP)
	R 56628	*	) RING, PISTON (SCHWITZER SERIAL NO. PRIOR TO L1872-1)
11	R 46682	*	) RING, PISTON (SCHWITZER SERIAL NO. L1872-1 AND UP)
12	R 46683	*	) DEFLECTOR, OIL
13	R 46684	*	) RING, THRUST (SCHWITZER SERIAL NO. PRIOR TO L1872-1)
14	R 46681	*	) PLATE, THRUST
15	AR 43974	*	) BEARING
	AR 61860	*	) HOUSING, BEARING, WITH PINS
	AR 63783	*	) HOUSING, CENTER AND ROTATING ASSEMBLY (CONSISTS OF PARTS MARKED WITH AN ASTERISK) (6404T) (SUB. AR68137)
		*	) HOUSING, CENTER AND ROTATION ASSEMBLY (CONSISTS OF PARTS MARKED WITH AN ASTERISK) (6404A)
16	R 56629	*	) CLAMP (SUB. FOR R46690)
17	R 46692	*	) NUT, SELF-LOCKING
18	R 46679	*	) RING, PISTON (COPPER PLATED FOR IDENTIFICATION)
19	AR 63778	*	) WHEEL, TURBINE, WITH SHAFT
20	R 50502	*	) HOUSING, TURBINE (6404T)
	R 55031	*	) HOUSING, TURBINE (6404A)
	AR 68139	*	) TURBOCHARGER, COMPLETE

**TURBOCHARGER  
(SCHWITZER)  
(ENGINE SERIAL NO. 512306- )**

R25453



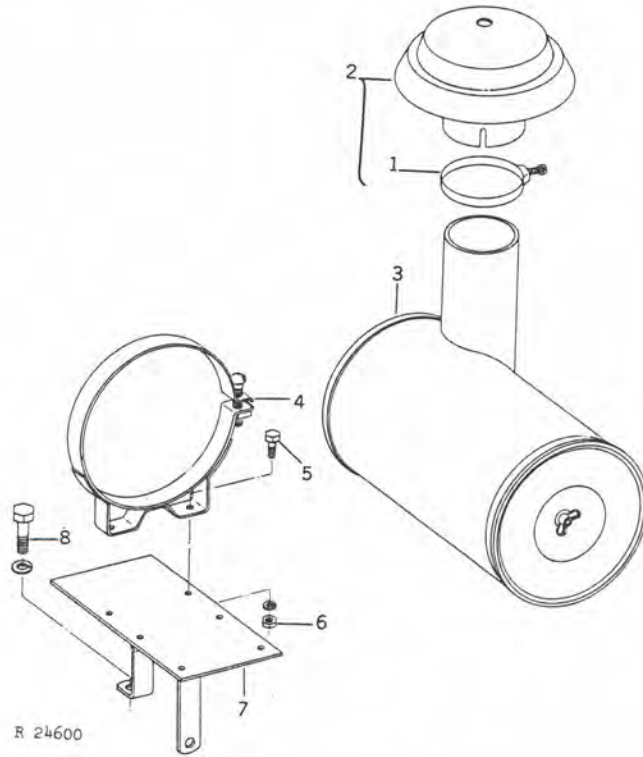
R 25453

KEY	PART NO.	ENGINE SERIAL NO.	DESCRIPTION
1	R 55030	( - )	COVER, COMPRESSOR (SUB. FOR R63118)
2	R 46693	( - )	PLATE, CLAMP (3 USED)
3	AR 78019	( - )	SCREW WITH LOCK WASHER (6 USED)
4	R 46691	* ( - )	NUT, LOCK
5	R 63128	* ( - )	WHEEL, COMPRESSOR
6	R 46686	* ( - )	RING, SNAP
7	R 56626	* ( - )	INSERT
8	R 46685	* ( - )	O-RING
9	R 46682	* ( - )	DEFLECTOR, OIL
10	R 56628	* ( - )	RING, PISTON
11	R 56627	* ( - )	SLEEVE, FLINGER
12	R 63127	* ( - )	BEARING, THRUST
13	R 63126	* ( - )	BEARING
14	AR 78023	* ( - )	HOUSING, BEARING, WITH PINS
	AR 78020	( - )	HOUSING, CENTER AND ROTATING ASSEMBLY(CONSISTS OF PARTS MARKED WITH AN ASTERISK)
15	R 63119	( - )	HOUSING, TURBINE
16	AR 78021	* ( - )	WHEEL, TURBINE, WITH SHAFT
17	R 63123	* ( - )	RING, PISTON
18	R 63120	( - )	PLATE, CLAMP (2 USED)
19	R 63121	( - )	PLATE, LOCK (2 USED)
20	R 63122	( - )	SCREW, CAP (4 USED)
21	R 63124	* ( - )	PLATE, BACK
22	R 63125	* ( - )	GASKET
	AR 78022	( - )	TURBOCHARGER, COMPLETE

\* SEE KEY 14.

AIR CLEANER WITH BANDS AND SUPPORTS  
 CODE 1801 AIR CLEANER

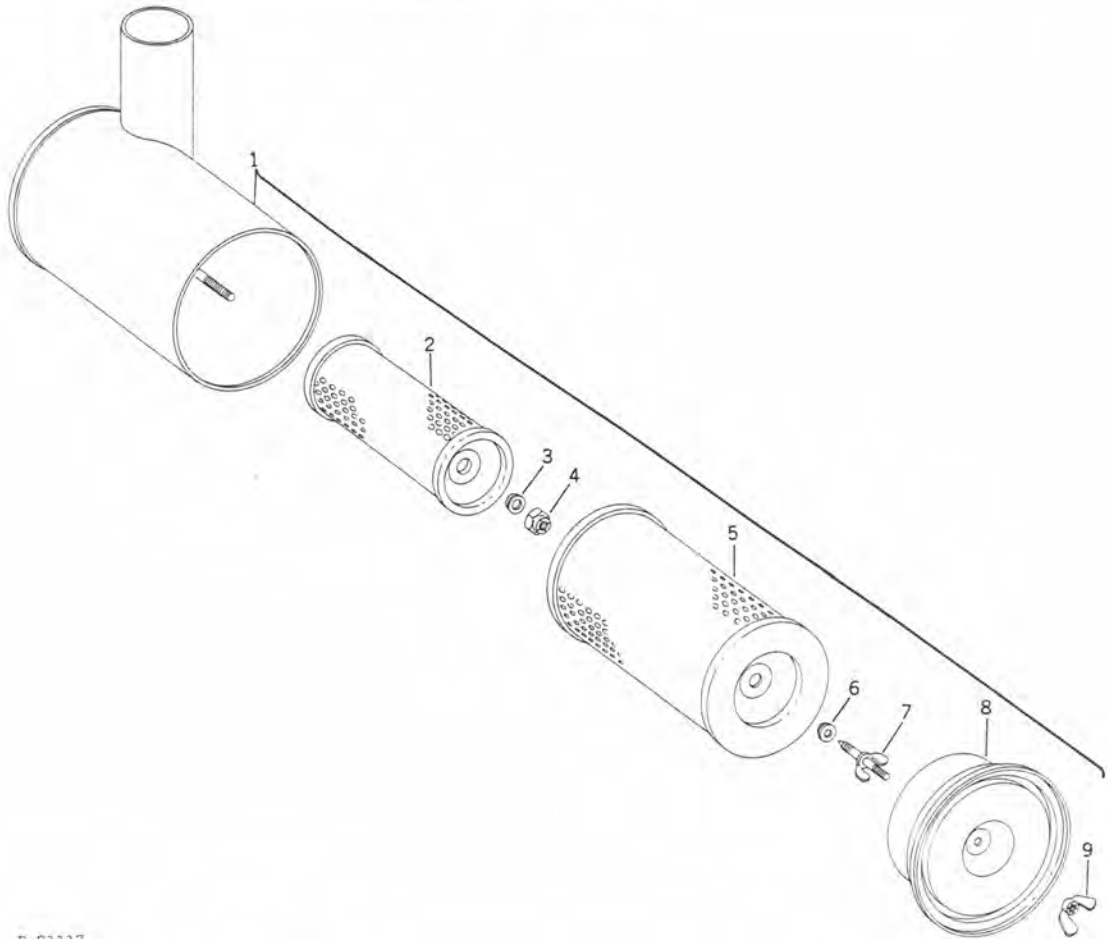
R24600



KEY	PART NO.	ENGINE SERIAL NO.	DESCRIPTION
1	C 16054	( - )	CLAMP
2	AR 72337	( - )	CAP, AIR STACK
3	AR 64932	( - )	CLEANER, DRY AIR
4	AR 64937	( - )	BAND, MOUNTING (2 USED)
5	19H 2284	( - )	SCREW, CAP, 3/8" X 7/8" (4 USED)
6	14H 812 12H 304	( - )	NUT, 3/8" (4 USED)
7	AR 65431	( - )	WASHER, LOCK, 3/8" (4 USED)
8	19H 2588 12H 294	( - )	SUPPORT, AIR CLEANER
		( - )	SCREW, CAP, 5/8" X 1-7/8"
		( - )	WASHER, LOCK, 5/8"

DRY AIR CLEANER  
CODE 1801 AIR CLEANER

R21117

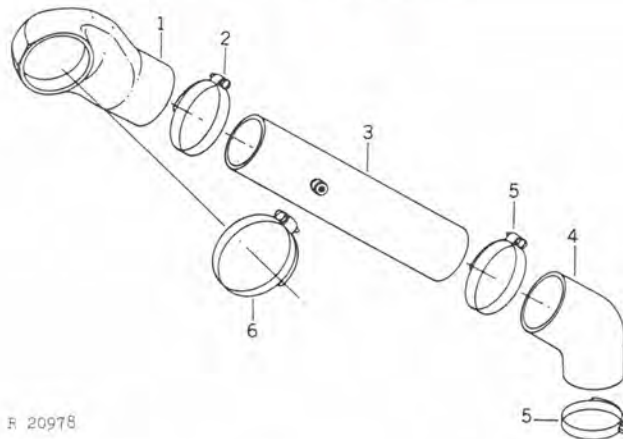


R 21117

KEY	PART NO.	ENGINE SERIAL NO.	DESCRIPTION
1	AR 64932	( - )	CLEANER, DRY AIR
2	AR 61968	( - XXXXX )	ELEMENT, SECONDARY (SUB. FOR AR49840)
	AR 79680	( XXXXX - )	ELEMENT, SECONDARY
3	AR 52066	( - )	WASHER, SEAL
4	E 17421	( - )	NUT, SPECIAL HEX., LOCK
5	AR 61967	( - )	ELEMENT, PRIMARY (ALSO ORDER AR61968, SUB. FOR AR49839)
6	AR 52065	( - )	WASHER, SEAL
7	AR 52064	( - )	BOLT, WING
8	AR 52063	( - )	COVER, AIR CLEANER
9	R 48723	( - )	NUT, SPECIAL

**AIR INTAKE PIPES  
(6404D)  
CODE 1801 AIR CLEANER**

R20978

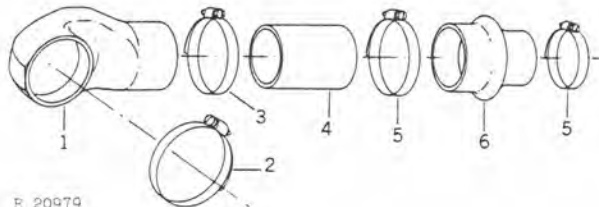


R 20978

KEY	PART NO.	ENGINE SERIAL NO.	DESCRIPTION
1	R 46626	( - )	HOSE
2	AR 21999	( - )	CLAMP
3	AR 65432	( - )	PIPE, AIR INTAKE, WITH BUSHING
	15H 558	( - )	PLUG, 1/4"
4	R 55866	( - )	HOSE
5	AR 21841	( - )	CLAMP (2 USED)
6	C 16054	( - )	CLAMP

**AIR INTAKE PIPES  
(6404A, T)  
CODE 1801 AIR CLEANER**

R20979

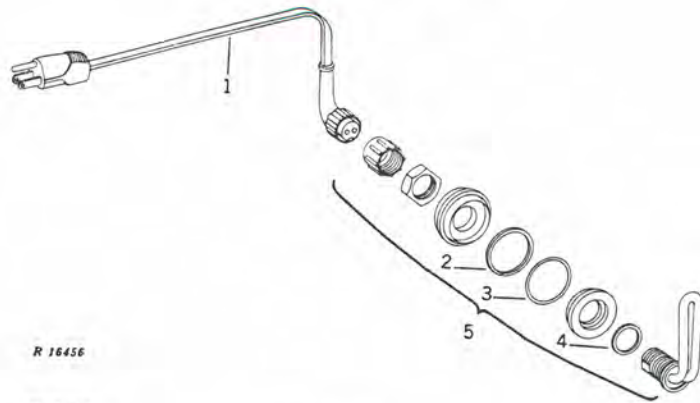


R 20979

KEY	PART NO.	ENGINE SERIAL NO.	DESCRIPTION
1	R 46626	( - )	HOSE, AIR INTAKE
2	C 16054	( - )	CLAMP
3	AR 21999	( - )	CLAMP
4	R 55927	( - )	PIPE, AIR INTAKE
5	AR 21841	( - )	CLAMP (2 USED)
6	R 46627	( - )	HOSE

R16456

ENGINE COOLANT HEATER

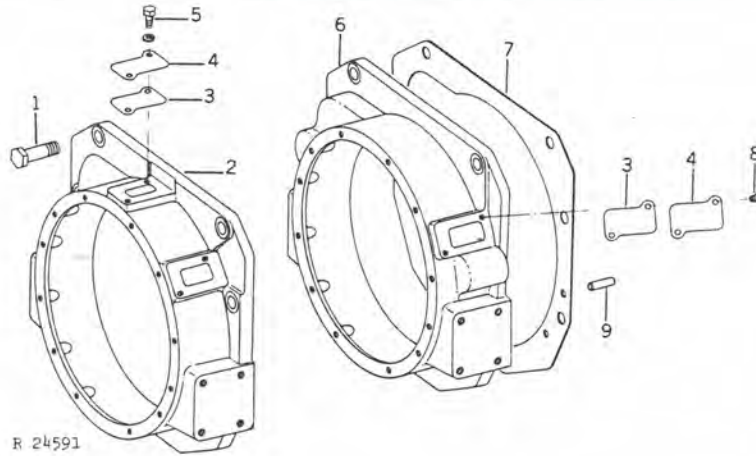


R 16456

KEY	PART NO.	ENGINE SERIAL NO.	DESCRIPTION
1	AR 50411	( - )	CORD
2	R 47692	( - )	RING, SPLIT
3	R 31378	( - )	O-RING
4	R 47693	( - )	GASKET
5	AR 50399	( - )	HEATER WITH CAP
..	AR 50518	( - )	HEATER, ENGINE COOLANT, WITH CORD (CONSISTING OF ONE AR50399 ENGINE COOLANT HEATER AND ONE AR50411 CORD)

**FLYWHEEL HOUSING**  
**CODE 1403 FLYWHEEL HOUSING, SAE NO. 3**  
**CODE 1405 FLYWHEEL HOUSING, SAE NO. 2**  
**CODE 1507 FLYWHEEL FOR 14 INCH SINGLE PLATE**

R24591

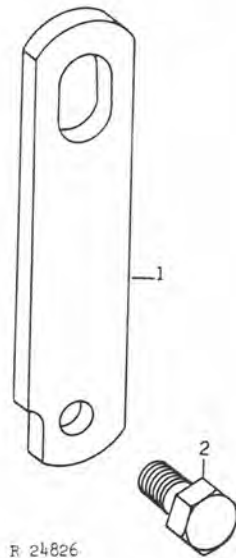


KEY	PART NO.	ENGINE SERIAL NO.	CODE	DESCRIPTION
1	19H 1732	( - )		SCREW, CAP, 3/4" X 2-1/4" (6 USED)
2	R 51822	( - )	1403	HOUSING, FLYWHEEL (ALSO ORDER 15H624 PLUG)
3	R 31494	( - )		GASKET, TIMING GEAR COVER (2 USED)
4	R 31493	( - )		COVER, TIMING GEAR (2 USED)
5	19H 1731	( - )		SCREW, CAP, 3/8" X 1" (2 USED)
	12H 304	( - )		WASHER, LOCK, 3/8" (2 USED)
6	R 57843	( - )	1405	HOUSING, FLYWHEEL
7	R 56963	( - )	1507	SPACER, FLYWHEEL HOUSING
8	21H 1318	( - )		SCREW, MACH., PAN HD., NO. 12 (2 USED)
9	C 1220 R	( - )		PIN, DOWEL (2 USED)



LIFT STRAPS

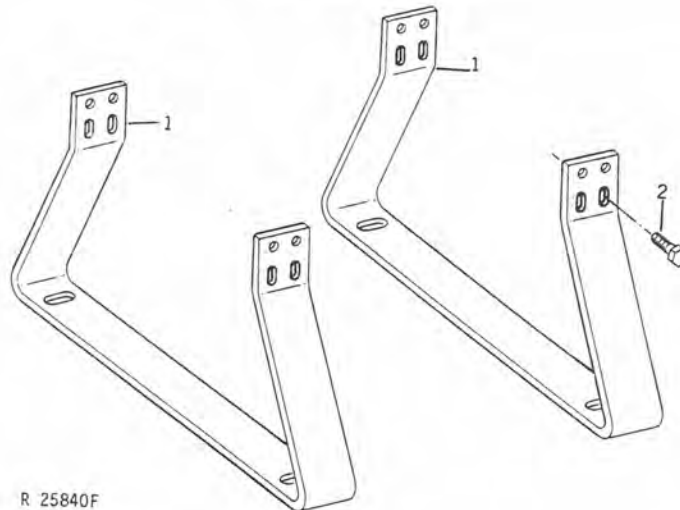
R24826



KEY	PART NO.	ENGINE SERIAL NO.	DESCRIPTION
1	R 61497	( - )	STRAP, LIFT (2 USED)
2	R 45692	( - )	SCREW, SPECIAL CAP (2 USED)

ENGINE MOUNTING

R25840

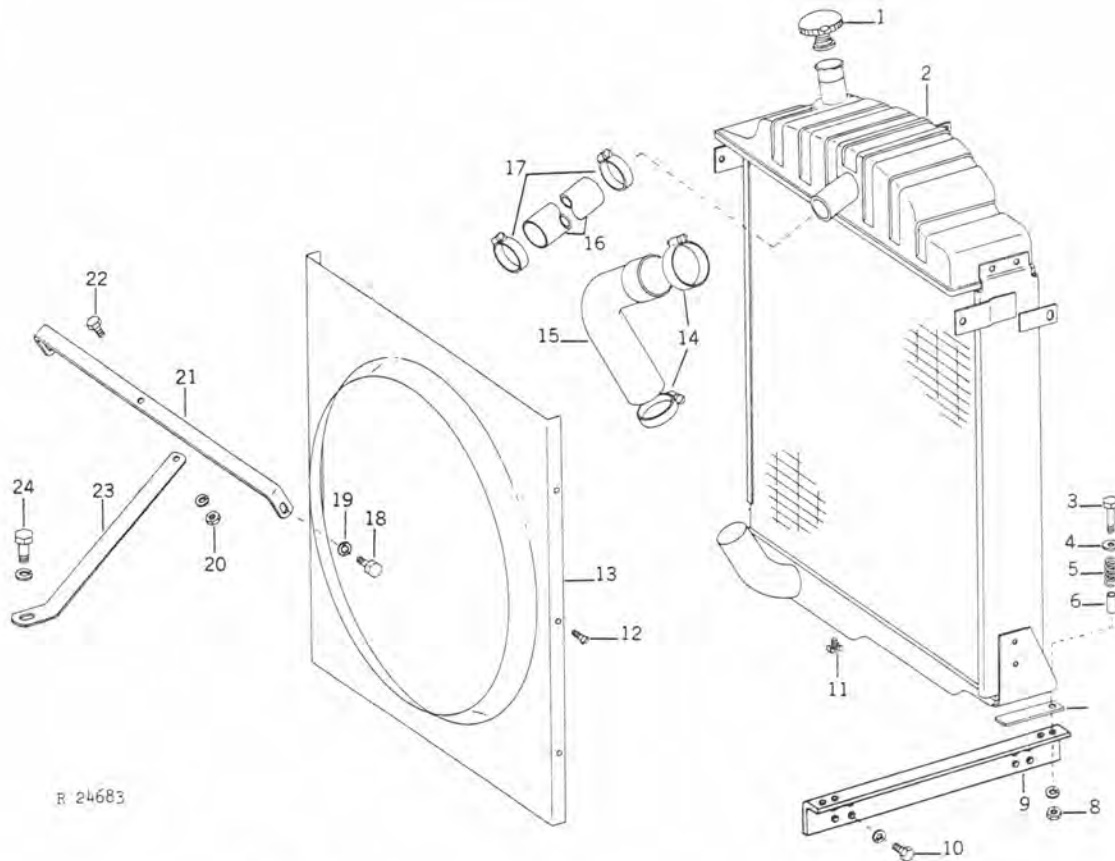


KEY	PART NO.	ENGINE SERIAL NO.	DESCRIPTION
I 1	R 49759	( - XXXXX )	MOUNT, ENGINE (2 USED)
I 1	R 63271	( XXXXX - )	MOUNT, ENGINE (2 USED)
2	19H 2588	( - )	SCREW, CAP, 5/8" X 1-7/8" (12 USED)
	12H 294	( - )	WASHER, LOCK, 5/8" (12 USED)



**RADIATOR  
(6404A, T)  
CODE 2701 RADIATOR AND FAN SHROUD**

R24683



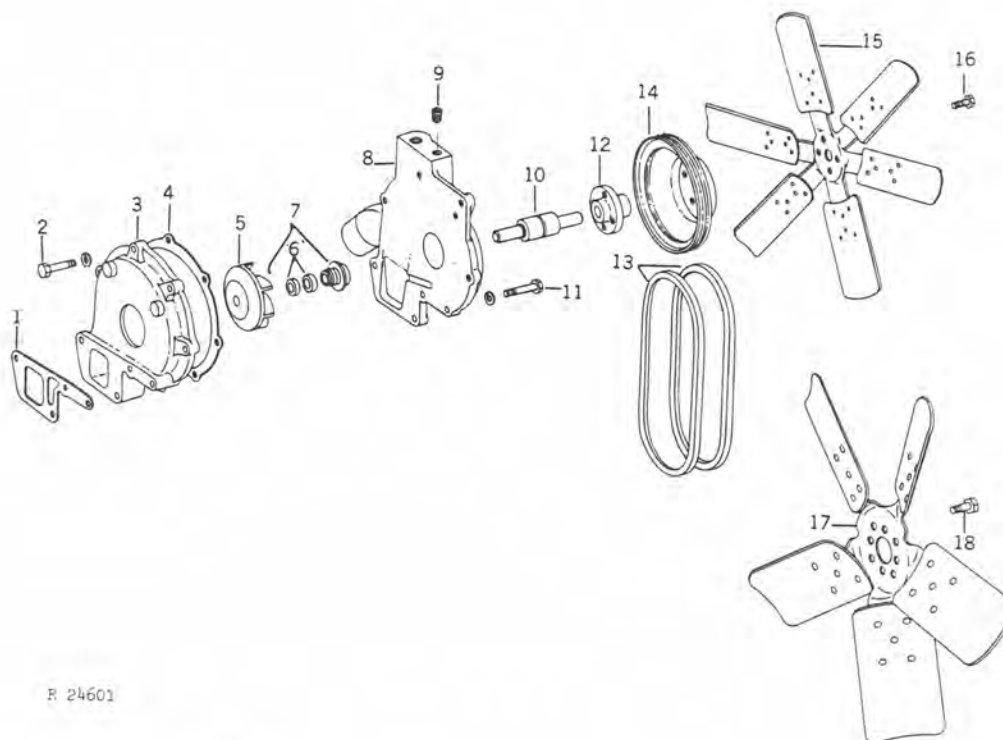
R 24683

KEY	PART NO.	ENGINE SERIAL NO.	DESCRIPTION
1	AR 28482	-	CAP, RADIATOR
2	AR 43945	-	RADIATOR
3	19H 2549	-	SCREW, CAP, 3/8" X 1-7/8" (2 USED)
4	24H 1309	-	WASHER, 13/32" X 1-1/16" X .120" (2 USED)
5	F 2411 R	-	SPRING (2 USED)
6	R 26417	-	SPACER (2 USED)
7	R 26413	-	CUSHION (2 USED)
8	14H 812	-	NUT, 3/8" (2 USED)
	12H 304	-	WASHER, LOCK, 3/8" (2 USED)
9	R 53598	-	SUPPORT (2 USED)
10	19H 1373	-	SCREW, CAP, 5/8" X 2" (8 USED)
	12H 294	-	WASHER, LOCK, 5/8" (8 USED)
11	AT 13740	-	COCK, DRAIN
12	37H 78	-	SCREW, TAPPING, 1/4" X 5/8" (6 USED)
13	R 46522	-	SHROUD, FAN
14	AR 21999	-	CLAMP, HOSE (2 USED)
15	R 52429	-	HOSE, LOWER WATER
16	R 55868	-	HOSE, UPPER WATER
17	AR 21840	-	CLAMP, HOSE (2 USED)
18	19H 2021	-	SCREW, CAP, 3/8" X 5/8" (2 USED)
19	24H 1652	-	WASHER, 13/32" X 11/16" X .105" (2 USED)
20	14H 812	-	NUT, 3/8"
	12H 304	-	WASHER, LOCK, 3/8"
21	R 53597	-	STRAP, RADIATOR
22	19H 218	-	SCREW, CAP, 3/8" X 1"
23	R 55869	-	BRACE, RADIATOR STRAP
24	19H 218	-	SCREW, CAP, 3/8" X 1"
	12H 304	-	WASHER, LOCK, 3/8"

FAN AND WATER PUMP  
(6404D)

CODE 2401 FAN BELT  
CODE 2501 5 BLADED FAN  
CODE 2502 6 BLADED FAN

R24601

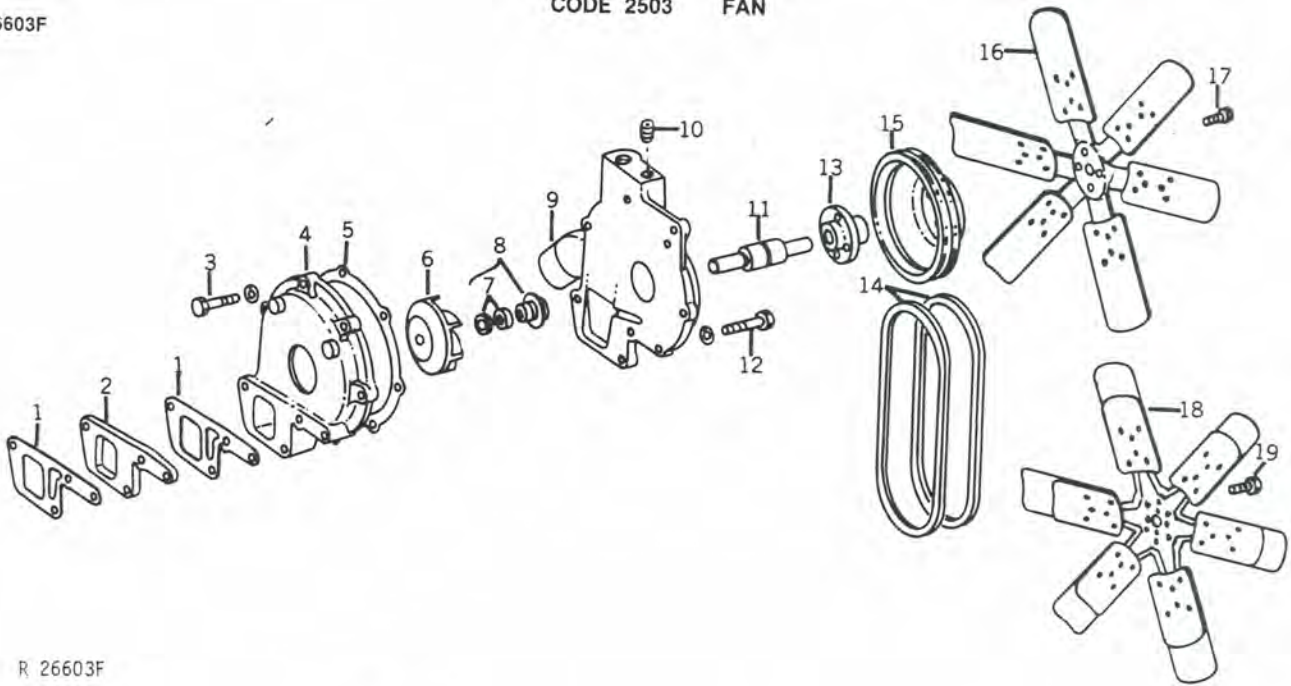


R 24601

KEY	PART NO.	ENGINE SERIAL NO.	CODE	DESCRIPTION
1	R 42406	( - )		GASKET
2	19H 1875	( - )		SCREW, CAP, 5/16" X 1-3/4" (4 USED)
	12H 303	( - )		WASHER, LOCK, 5/16" (4 USED)
3	R 50409	( - )		HOUSING, WATER PUMP, REAR
4	R 50410	( - )		GASKET
5	R 51682	( - )		IMPELLER
6	AR 41691	( - )		INSERT, IMPELLER, WITH CUP
7	AR 62934	( - )		SEAL, WITH INSERT AND CUP
8	AR 55961	( - )		PUMP, WATER, COMPLETE (MARKED R51683)
9	15H 571	( - )		PLUG, PIPE, 3/8", HEX. CTSK.
10	JD 9257	( - )		BEARING, BALL
11	19H 944	( - )		SCREW, CAP, 3/8" X 2-3/4" (4 USED)
	12H 304	( - )		WASHER, LOCK, 3/8" (4 USED)
12	R 53437	( - )		HUB, FAN
13	R 52603	( - )	2401	BELT, FAN
14	R 52591	( - )		PULLEY, FAN (SUB. FOR AR71627)
15	AR 34451	( - )	2501	FAN, 5 BLADE
16	19H 2284	( - )	2501	SCREW, CAP, 3/8" X 7/8" (4 USED)
17	AR 64075	( - )	2502	FAN, 6 BLADE
18	19H 2284	( - )	2502	SCREW, CAP, 3/8" X 7/8" (4 USED)

FAN AND WATER PUMP  
 (6404A, T)  
 CODE 2401 FAN BELTS  
 CODE 2501 FAN  
 CODE 2503 FAN

R26603F

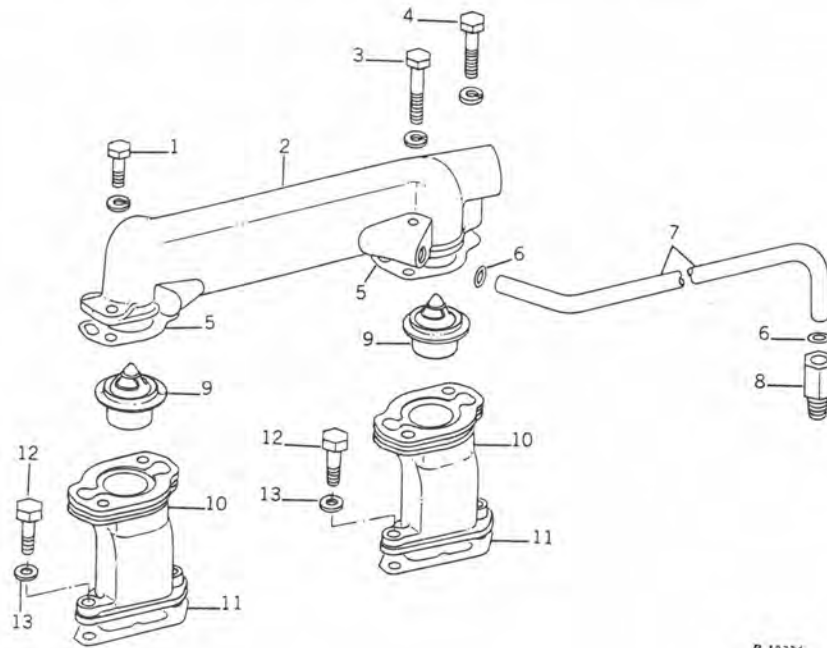


R 26603F

KEY	PART NO.	ENGINE SERIAL NO.	CODE	DESCRIPTION
1	R 42406	( - )		GASKET (2 USED 6404A) (1 USED 6404T)
2	R 50413	( - )		SPACER, WATER PUMP (1 USED 6404A)
3	19H 1875	( - )		SCREW, CAP, 5/16" X 1-3/4" (4 USED)
	12H 303	( - )		WASHER, LOCK, 5/16" (4 USED)
4	R 50409	( - )		HOUSING, WATER PUMP, REAR
5	R 50410	( - )		GASKET
6	R 50411	( - )		IMPELLER
7	AR 41691	( - )		INSERT, IMPELLER, WITH CUP
8	AR 62934	( - )		SEAL WITH INSERT AND CUP
9	AR 54578	( - )		PUMP, WATER, COMPLETE (MARKED R50408) (DOUBLE BELT DRIVE)
10	15H 571	( - )		PLUG, PIPE, 3/8", HEX. CTSK.
11	JD 9257	( - )		BEARING, BALL
12	19H 2636	( - )		SCREW, CAP, 3/8" X 3-5/8" (4 USED 6404A)
	19H 944	( - )		SCREW, CAP, 3/8" X 2-3/4" (4 USED 6404T)
	12H 304	( - )		WASHER, LOCK, 3/8" (4 USED)
13	R 51684	( - )		HUB, FAN
14	AR 57266	( - )	2401	V-BELT, FAN, TWO MATCHED
15	R 52592	( - )		PULLEY, FAN (DOUBLE BELT DRIVE)
16	AR 48871	( - )	2503	FAN
17	19H 2284	( - )	2503	SCREW, CAP, 3/8" X 7/8" (4 USED)
18	AT 24834	( - )	2501	FAN, BLOWER (USE WITH CODE 2701 RADIATOR)
19	19H 2284	( - )	2501	SCREW, CAP, 3/8" X 7/8" (4 USED)

WATER OUTLET MANIFOLD AND THERMOSTAT HOUSINGS  
(6404D)

R19334

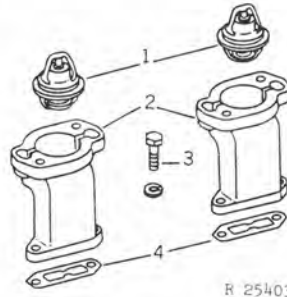


R 19334

KEY	PART NO.	ENGINE SERIAL NO.	DESCRIPTION
1	19H 1732 12H 304	( - )	SCREW, CAP, 3/8" X 1-1/4" (2 USED)
2	R 52509	( - )	WASHER, LOCK, 3/8" (2 USED)
3	19H 1801 12H 304	( - )	MANIFOLD, WATER OUTLET
4	19H 1765 12H 304	( - )	SCREW, CAP, 3/8" X 2"
5	R 42694	( - )	WASHER, LOCK, 3/8"
6	R 43780	( - )	SCREW, CAP, 3/8" X 1-3/4"
7	R 51440	( - )	WASHER, LOCK, 3/8"
8	R 41285	( - )	GASKET (2 USED)
9	R 36846	( - )	O-RING (2 USED)
10	AR 44840	( - )	PIPE, WATER BYPASS
11	R 42693	( - )	CONNECTOR, SPECIAL
12	19H 2545 12H 304	( - )	THERMOSTAT (RANGE 180° - 200°F (82 - 93°C) (2 USED)
13	24H 1303	( - )	HOUSING, THERMOSTAT (2 USED) (MARKED R42664)
		( - )	GASKET (2 USED)
		( - )	SCREW, CAP, 3/8" X 1-3/8" (4 USED)
		( - )	WASHER, LOCK, 3/8" (4 USED)
		( - )	WASHER, 13/32" X 11/16" X .060" (4 USED)

**THERMOSTAT HOUSING AND THERMOSTATS  
(6404D)**

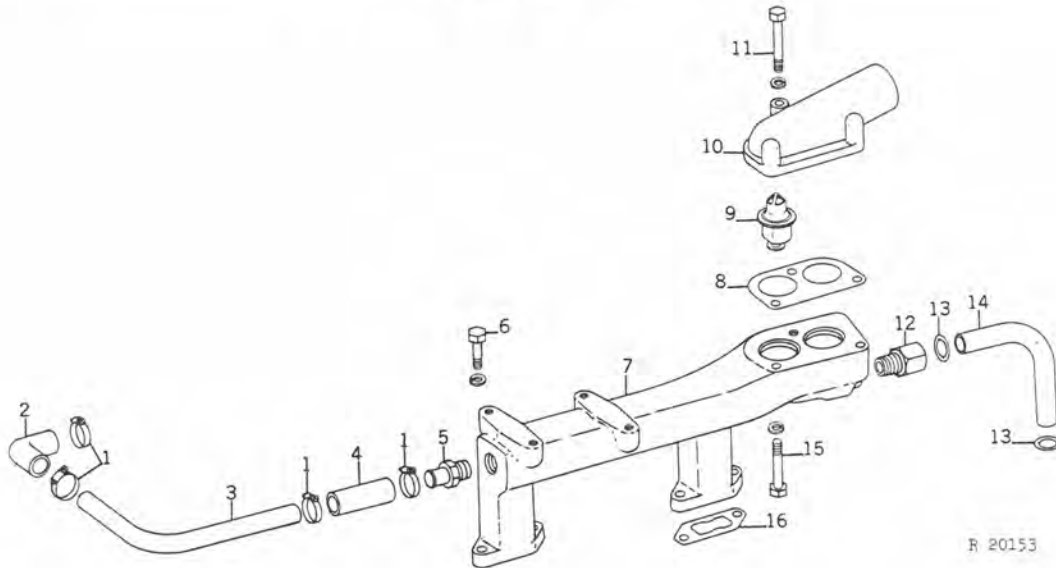
R25403



KEY	PART NO.	ENGINE SERIAL NO.	DESCRIPTION
1	R 36846	( - )	THERMOSTAT (RANGE 180° - 202°F) (82 - 94°C) (2 USED)
2	AR 44840	( - )	HOUSING, THERMOSTAT (MARKED R41853 OR R42664) (2 USED)
3	19H 1732	( - )	SCREW, CAP, 3/8" X 1-1/4" (4 USED)
	24H 1303	( - )	WASHER, 13/32" X 11/16" X .060" (4 USED)
	12H 304	( - )	WASHER, LOCK, 3/8" (4 USED)
4	R 42693	( - )	GASKET (2 USED)

WATER MANIFOLDS AND THERMOSTATS  
(6404A, T)

R20153



R 20153

KEY	PART NO.	ENGINE SERIAL NO.	DESCRIPTION
	1 AR 21839	( - )	CLAMP, HOSE (4 USED) (6404A)
	2 R 47430	( - )	HOSE (6404A)
I	3 R 50403	( - XXXXX )	TUBE, WATER OUTLET (6404A) (SUB. R61128)
I	R 61128	( XXXXX - )	TUBE, WATER OUTLET (6404A)
	4 A 5203 R	( - )	HOSE (6404A)
	5 R 48362	( - )	CONNECTOR, SPECIAL (6404A)
	15H 665	( - )	PLUG, PIPE, 3/4" (6404T)
I	6 19H 2545	( - )	SCREW, CAP, 3/8" X 1-3/8" (4 USED)
	12H 304	( - )	WASHER, LOCK, 3/8" (4 USED)
	7 R 50415	( - )	MANIFOLD, WATER
	8 R 46479	( - )	GASKET
	9 AR 48675	( - )	THERMOSTAT (2 USED)
	10 R 53423	( - )	COVER, THERMOSTAT
	11 19H 268	( - )	SCREW, CAP, 3/8" X 2-1/2"
	12H 304	( - )	WASHER, LOCK, 3/8"
	12 R 43491	( - )	CONNECTOR
	13 R 50420	( - )	O-RING (2 USED)
	14 R 50416	( - )	TUBE, WATER BYPASS, FRONT (6404A)
	R 51960	( - )	TUBE, WATER BYPASS (6404T)
	15 19H 1726	( - )	SCREW, CAP, 3/8" X 2-1/4" (2 USED)
	12H 304	( - )	WASHER, LOCK, 3/8" (2 USED)
	16 R 42693	( - )	GASKET (2 USED)